

FILM-TECH

THE INFORMATION CONTAINED IN THIS ADOBE ACROBAT PDF FILE IS PROVIDED AT YOUR OWN RISK AND GOOD JUDGMENT.

THESE MANUALS ARE DESIGNED TO FACILITATE THE EXCHANGE OF INFORMATION RELATED TO CINEMA PROJECTION AND FILM HANDLING, WITH NO WARRANTIES NOR OBLIGATIONS FROM THE AUTHORS, FOR QUALIFIED FIELD SERVICE ENGINEERS.

IF YOU ARE NOT A QUALIFIED TECHNICIAN, PLEASE MAKE NO ADJUSTMENTS TO ANYTHING YOU MAY READ ABOUT IN THESE ADOBE MANUAL DOWNLOADS.

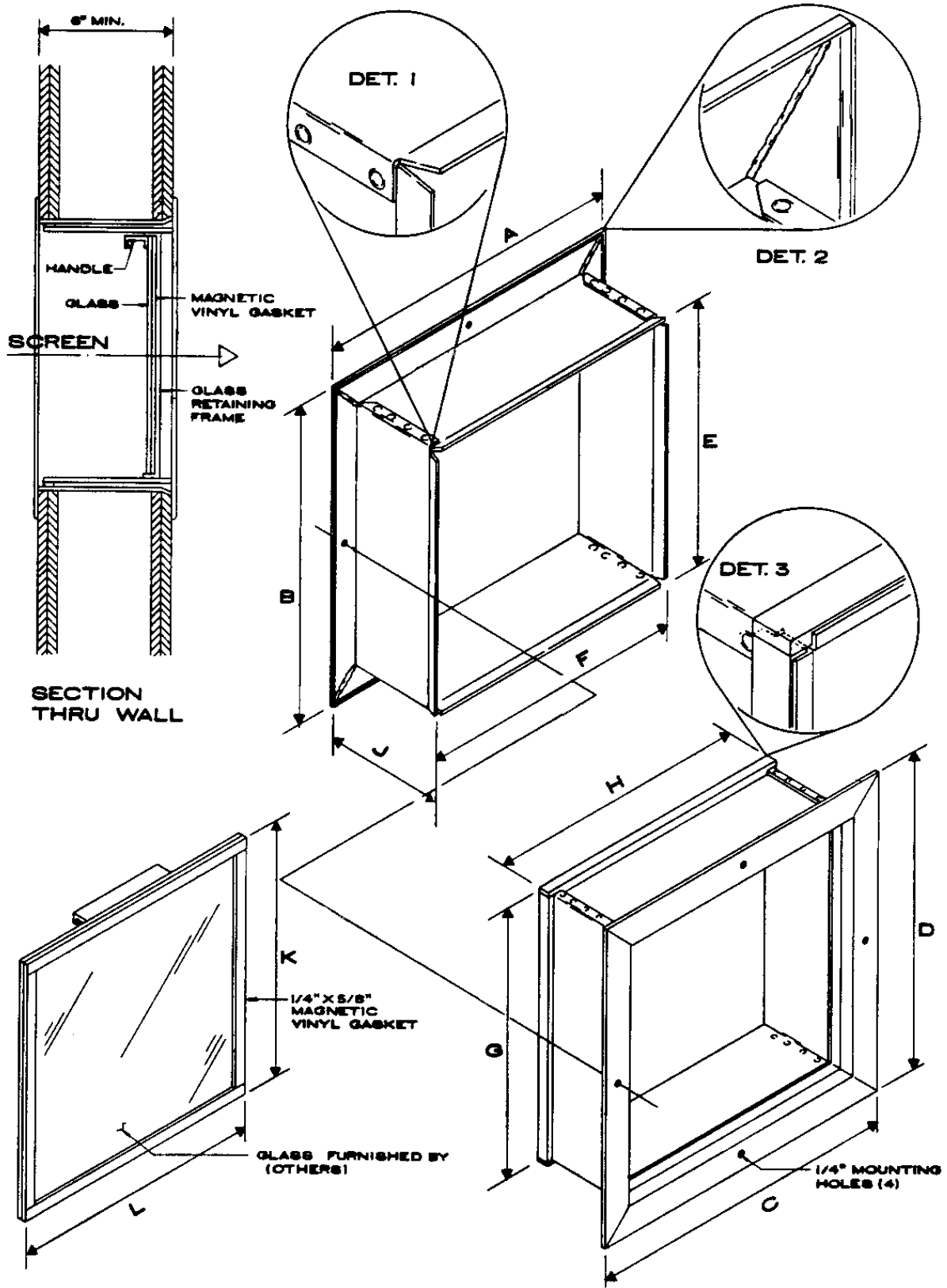
WWW.FILM-TECH.COM



KELMAR

Systems Inc., 284 Broadway, Huntington Station, NY 11746 • 631.421.1230 • FAX 631.421.1274

Porthole Dimension Sheet for 16 X 16 Frame



Porthole Dimension Sheet for 16 X 16 Frame

A: 20"

B: 20"

C: 19-3/8"

D: 19-3/8"

E: 16-7/8"

F: 16-7/8"

G: 16-3/8"

H: 16-3/8"

J: 6"

K: 15-5/8"

L: 15-5/8"

To determine Rough Opening add 1-3/8" to Specified Size ie:

16"w X 16"h = 17-3/8"w X 17-3/8"h Rough Opening

Glass is on a 5 degree tilt.