

# FILM-TECH

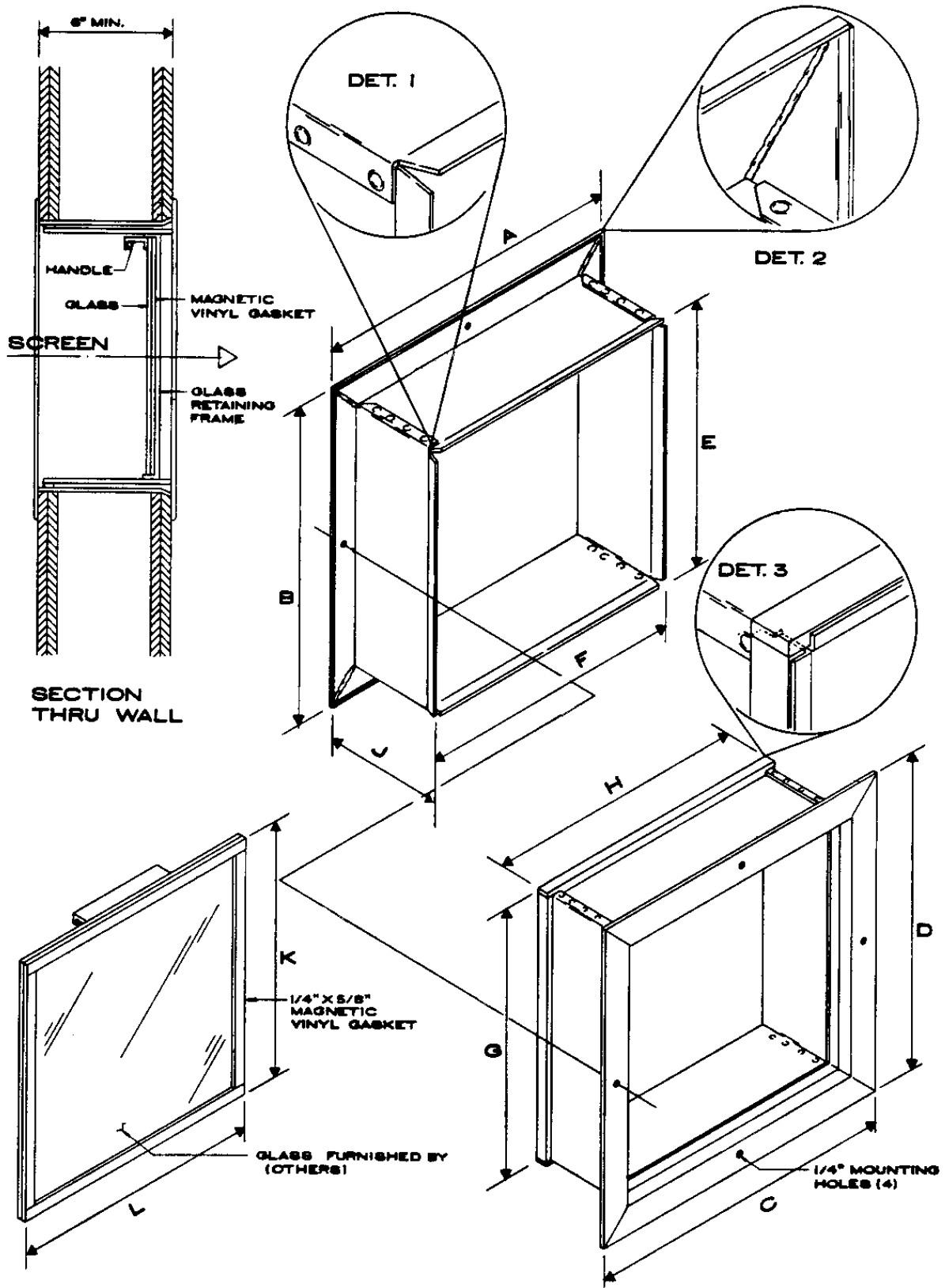
**THE INFORMATION CONTAINED IN THIS ADOBE ACROBAT PDF FILE IS PROVIDED AT YOUR OWN RISK AND GOOD JUDGMENT.**

**THESE MANUALS ARE DESIGNED TO FACILITATE THE EXCHANGE OF INFORMATION RELATED TO CINEMA PROJECTION AND FILM HANDLING, WITH NO WARRANTIES NOR OBLIGATIONS FROM THE AUTHORS, FOR QUALIFIED FIELD SERVICE ENGINEERS.**

**IF YOU ARE NOT A QUALIFIED TECHNICIAN, PLEASE MAKE NO ADJUSTMENTS TO ANYTHING YOU MAY READ ABOUT IN THESE ADOBE MANUAL DOWNLOADS.**

**[WWW.FILM-TECH.COM](http://WWW.FILM-TECH.COM)**

**Porthole Dimension Sheet for 12 X 14 Frame**





**KELMAR**

Systems Inc., 284 Broadway, Huntington Station, NY 11746 • 631.421.1230 • FAX 631.421.1274

**Porthole Dimension Sheet for 12 X 14 Frame**

A: 16"

B: 18"

C: 15-3/8"

D: 17-3/8"

E: 14-7/8"

F: 12-7/8"

G: 14-3/8"

H: 12-3/8"

J: 6"

K: 13-5/8"

L: 11-5/8"

To determine Rough Opening add 1-3/8" to Specified Size ie:

12"w X 14"h = 13-3/8"w X 15-3/8"h Rough Opening