

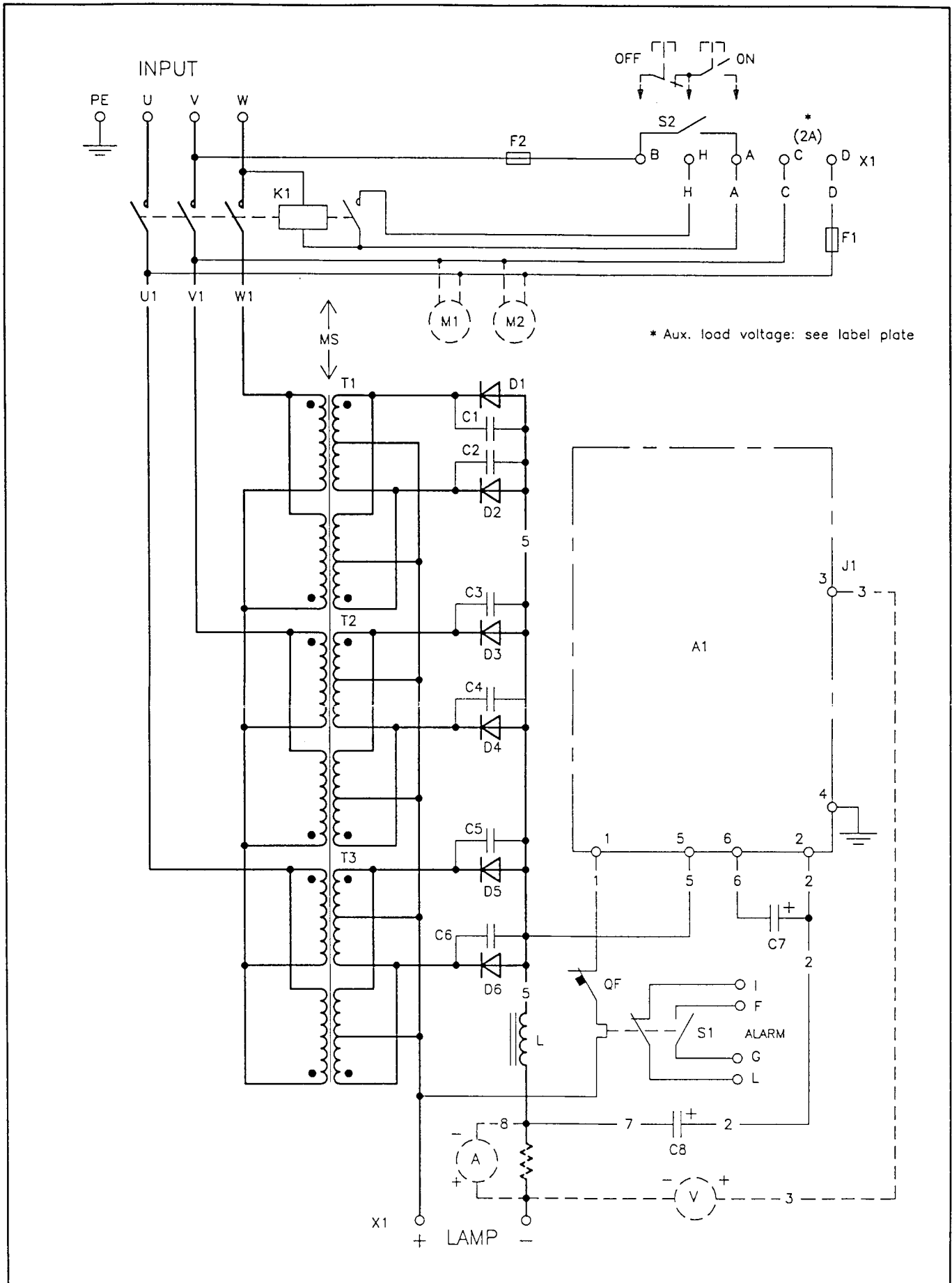
# FILM-TECH

**THE INFORMATION CONTAINED IN THIS ADOBE ACROBAT PDF FILE IS PROVIDED AT YOUR OWN RISK AND GOOD JUDGMENT.**

**THESE MANUALS ARE DESIGNED TO FACILITATE THE EXCHANGE OF INFORMATION RELATED TO CINEMA PROJECTION AND FILM HANDLING, WITH NO WARRANTIES NOR OBLIGATIONS FROM THE AUTHORS, FOR QUALIFIED FIELD SERVICE ENGINEERS.**

**IF YOU ARE NOT A QUALIFIED TECHNICIAN, PLEASE MAKE NO ADJUSTMENTS TO ANYTHING YOU MAY READ ABOUT IN THESE ADOBE MANUAL DOWNLOADS.**

**[WWW.FILM-TECH.COM](http://WWW.FILM-TECH.COM)**



Rev.: 1  
 Data: 04.06.02  
 Data: 04.04.02  
 Emesso: PMC  
 Approv.: *[Signature]*  
 Stamp. S3 Rev. 02 del 16/10/96

Descrizione :  
 Rectifier power supply mod:  
 N3-.... N3-.... /A  
 200V 50Hz 230V 50Hz 208-230V 60Hz

**IREM**  
 IREM SpA-S. Antonino (TO) ITALY  
 N. S35550