

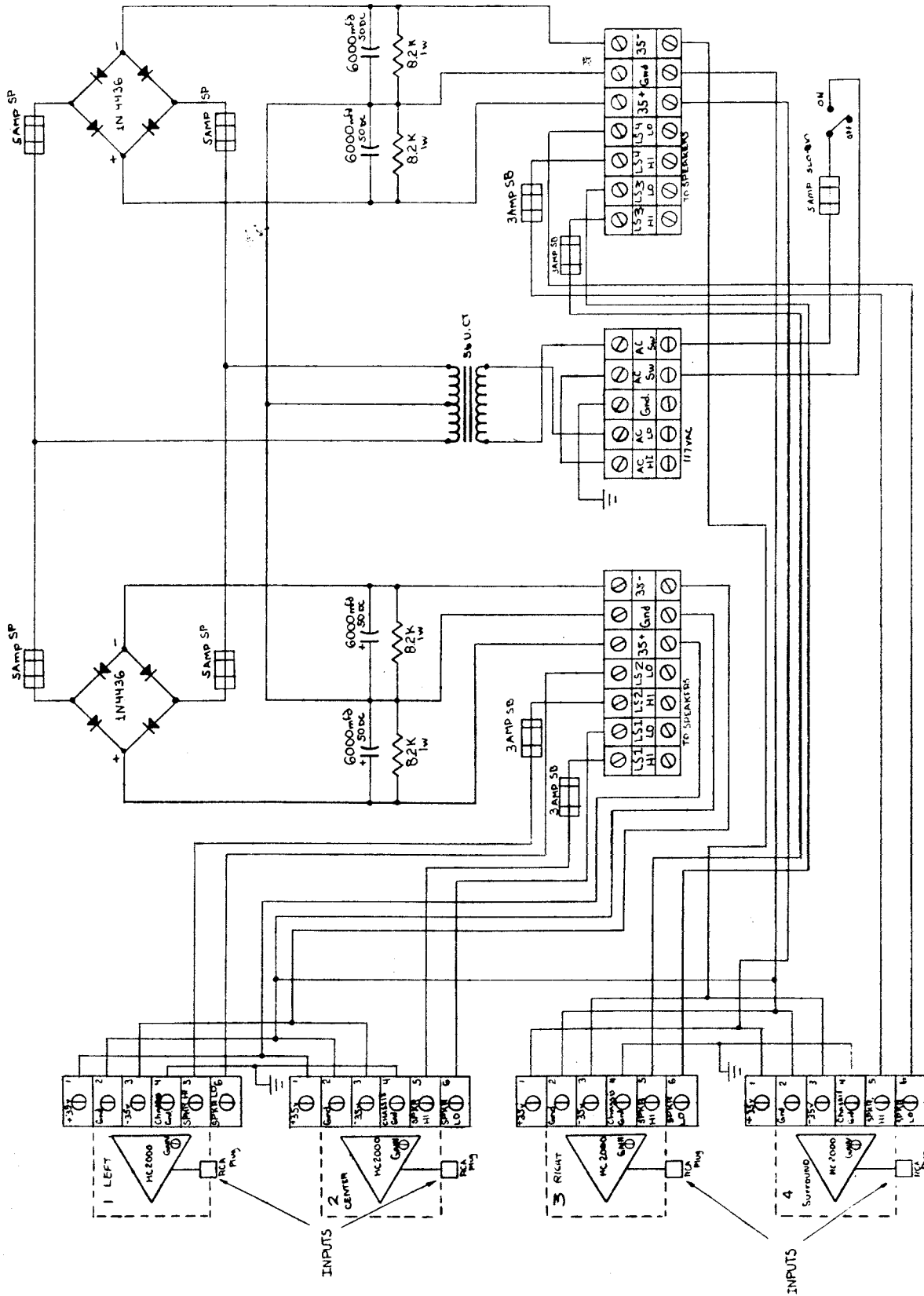
Film-Tech

The information contained in this Adobe Acrobat pdf file is provided at your own risk and good judgment.

These manuals are designed to facilitate the exchange of information related to cinema projection and film handling, with no warranties nor obligations from the authors, for qualified field service engineers.

If you are not a qualified technician, please make no adjustments to anything you may read about in these Adobe manual downloads.

www.film-tech.com



SEE 25610 FOR SCHEMATIC OF POWER AMPLIFIER

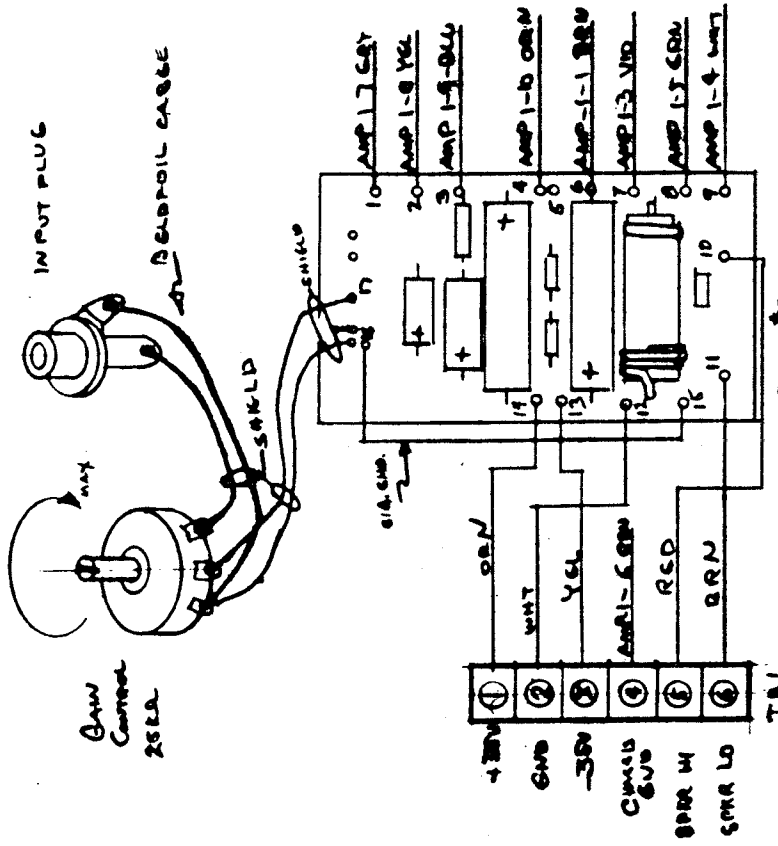
PARTS LIST		REV. NO.		DATE	
1	MC2000	1	1	1	1
2	1N4136	2	1	1	1
3	6000µF	3	1	1	1
4	82K	4	1	1	1
5	500µH	5	1	1	1
6	17VDC	6	1	1	1
7	35VDC	7	1	1	1
8	SAMP SW	8	1	1	1
9	500µH	9	1	1	1
10	82K	10	1	1	1
11	1N4136	11	1	1	1
12	6000µF	12	1	1	1
13	82K	13	1	1	1
14	500µH	14	1	1	1
15	17VDC	15	1	1	1
16	35VDC	16	1	1	1
17	SAMP SW	17	1	1	1
18	500µH	18	1	1	1
19	82K	19	1	1	1
20	1N4136	20	1	1	1
21	6000µF	21	1	1	1
22	82K	22	1	1	1
23	500µH	23	1	1	1
24	17VDC	24	1	1	1
25	35VDC	25	1	1	1
26	SAMP SW	26	1	1	1
27	500µH	27	1	1	1
28	82K	28	1	1	1
29	1N4136	29	1	1	1
30	6000µF	30	1	1	1
31	82K	31	1	1	1
32	500µH	32	1	1	1
33	17VDC	33	1	1	1
34	35VDC	34	1	1	1
35	SAMP SW	35	1	1	1
36	500µH	36	1	1	1
37	82K	37	1	1	1
38	1N4136	38	1	1	1
39	6000µF	39	1	1	1
40	82K	40	1	1	1
41	500µH	41	1	1	1
42	17VDC	42	1	1	1
43	35VDC	43	1	1	1
44	SAMP SW	44	1	1	1
45	500µH	45	1	1	1
46	82K	46	1	1	1
47	1N4136	47	1	1	1
48	6000µF	48	1	1	1
49	82K	49	1	1	1
50	500µH	50	1	1	1
51	17VDC	51	1	1	1
52	35VDC	52	1	1	1
53	SAMP SW	53	1	1	1
54	500µH	54	1	1	1
55	82K	55	1	1	1
56	1N4136	56	1	1	1
57	6000µF	57	1	1	1
58	82K	58	1	1	1
59	500µH	59	1	1	1
60	17VDC	60	1	1	1
61	35VDC	61	1	1	1
62	SAMP SW	62	1	1	1
63	500µH	63	1	1	1
64	82K	64	1	1	1
65	1N4136	65	1	1	1
66	6000µF	66	1	1	1
67	82K	67	1	1	1
68	500µH	68	1	1	1
69	17VDC	69	1	1	1
70	35VDC	70	1	1	1
71	SAMP SW	71	1	1	1
72	500µH	72	1	1	1
73	82K	73	1	1	1
74	1N4136	74	1	1	1
75	6000µF	75	1	1	1
76	82K	76	1	1	1
77	500µH	77	1	1	1
78	17VDC	78	1	1	1
79	35VDC	79	1	1	1
80	SAMP SW	80	1	1	1
81	500µH	81	1	1	1
82	82K	82	1	1	1
83	1N4136	83	1	1	1
84	6000µF	84	1	1	1
85	82K	85	1	1	1
86	500µH	86	1	1	1
87	17VDC	87	1	1	1
88	35VDC	88	1	1	1
89	SAMP SW	89	1	1	1
90	500µH	90	1	1	1
91	82K	91	1	1	1
92	1N4136	92	1	1	1
93	6000µF	93	1	1	1
94	82K	94	1	1	1
95	500µH	95	1	1	1
96	17VDC	96	1	1	1
97	35VDC	97	1	1	1
98	SAMP SW	98	1	1	1
99	500µH	99	1	1	1
100	82K	100	1	1	1

STAR POWER FOUR SCHEMATIC

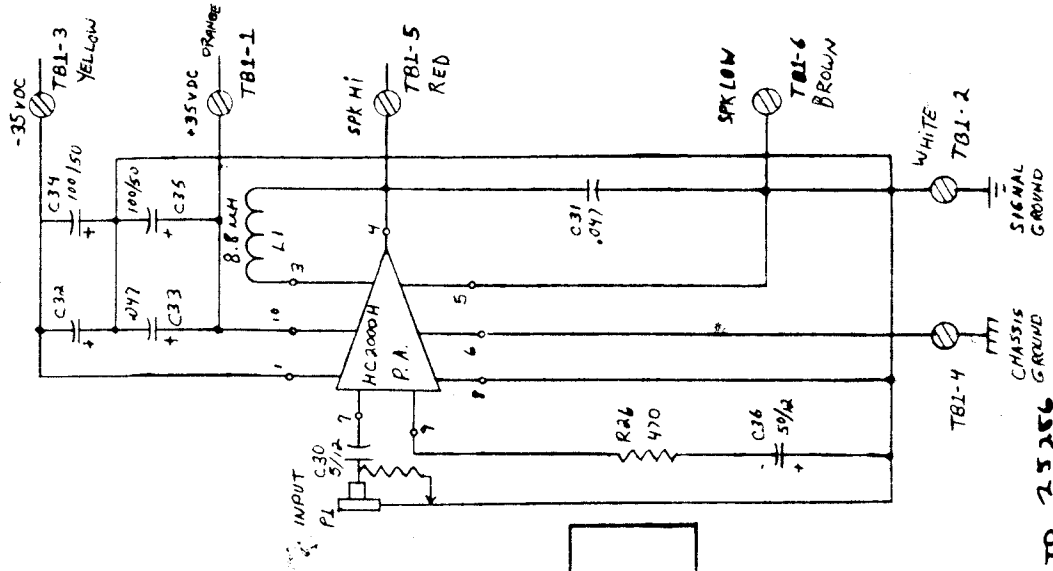
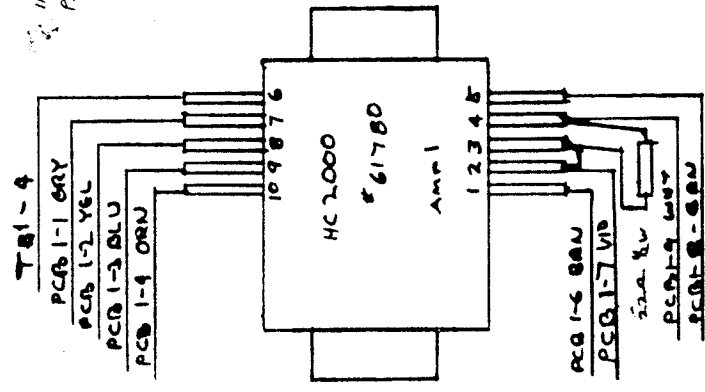
DATE: 1/1/70

DESIGNED BY: J. J. ...

25600



ALL WIRE
IGGA STRANDED



REF.

SIAMSEE TO 25266

8							
7							
6							
5							
4							
3							
2							
1							
NO	ECN	DATE	CHANGE	BY			

POWER MODULE - STAR - DIAGRAM
 TORQUANCE (EXCEPT AS NOTED)
 DEC 1968
 CHARTS
 PARTS
 ASSEMBLY NO.
 25610
 REV. 1