

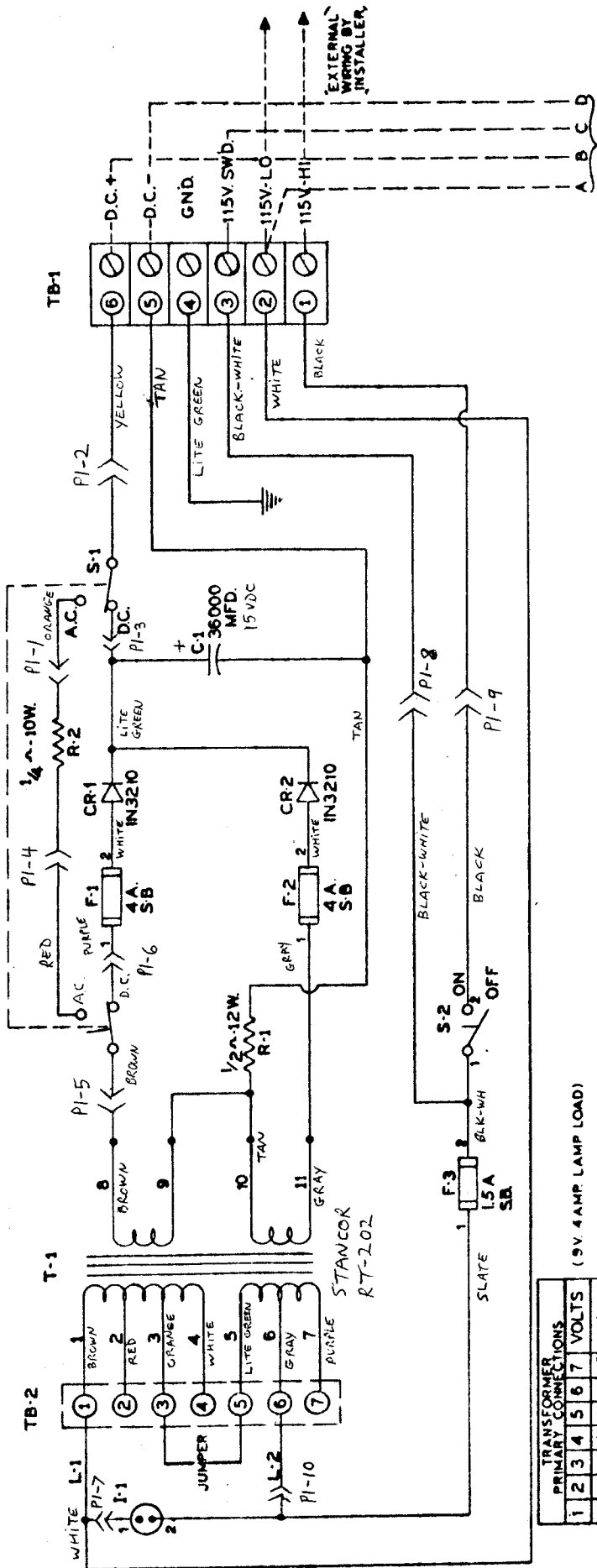
# Film-Tech

The information contained in this Adobe Acrobat pdf file is provided at your own risk and good judgment.

These manuals are designed to facilitate the exchange of information related to cinema projection and film handling, with no warranties nor obligations from the authors, for qualified field service engineers.

If you are not a qualified technician, please make no adjustments to anything you may read about in these Adobe manual downloads.

[www.film-tech.com](http://www.film-tech.com)



EXTERNAL WIRING BY INSTALLER

INTERNAL TO C/O CHASSIS SEE SCHEMATIC # 25894

A-25894 FOR 40 SCHEMATIC

SEE 25882 FOR EXCITER WIRING DIAGRAM

YOU EXCITER SUPPLY - 4 AMP SCHEMATIC	
DRAWN BY: JOLMS	CHECKED BY:
APPROVED BY:	DATE: 2-10-73
25871 / 25875	B. 25892

NOTE: FOR ONE EXCITER LAMP ON AT A TIME OPERATION ONLY!

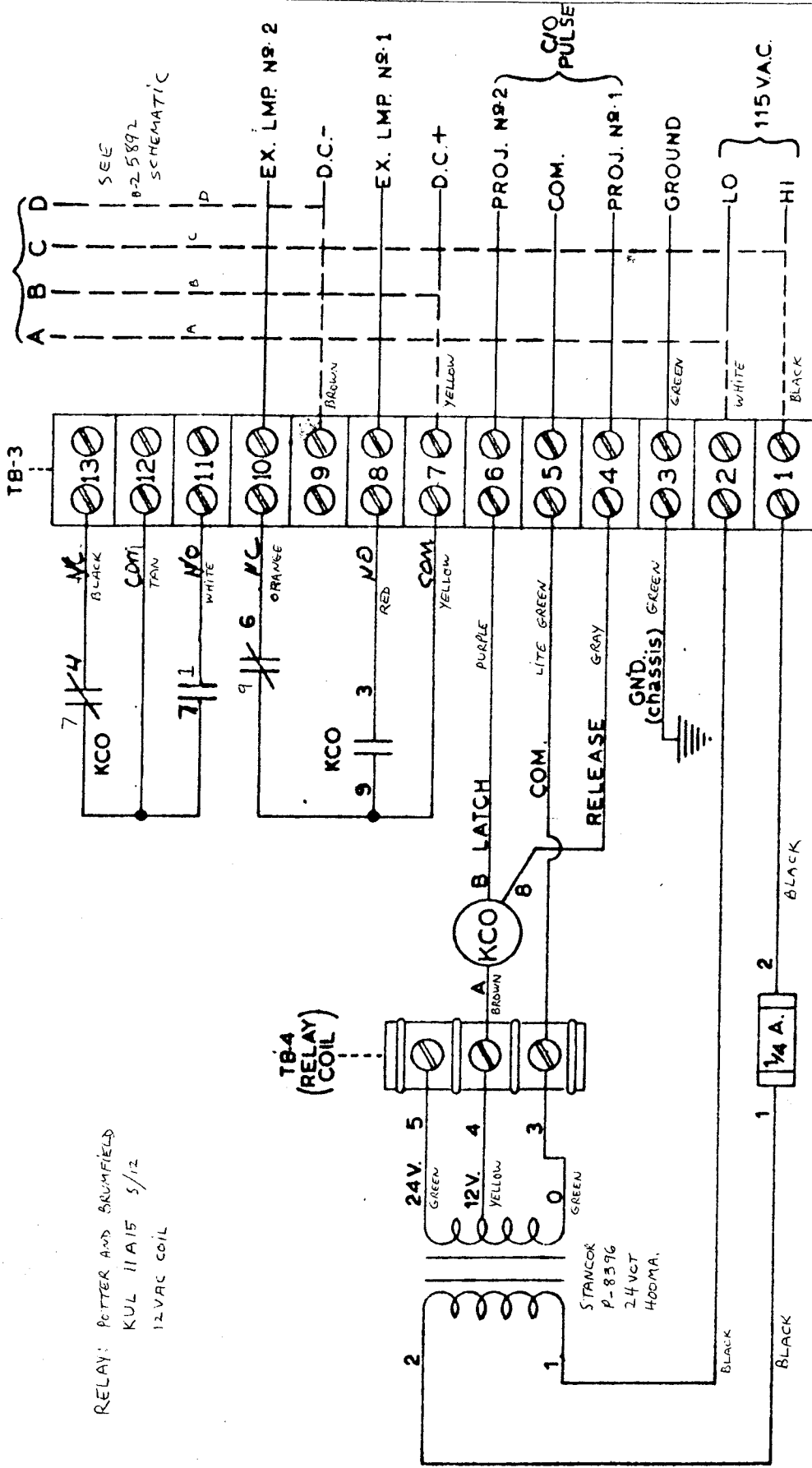
1	2	3	4	5	6	7	VOLTS
L1	L1	L1	L1	L1	L1	L1	4
L1	L1	L1	L1	L1	L1	L1	4.4
L1	L1	L1	L1	L1	L1	L1	4.7
L1	L1	L1	L1	L1	L1	L1	5
L1	L1	L1	L1	L1	L1	L1	6
L1	L1	L1	L1	L1	L1	L1	6.7
L1	L1	L1	L1	L1	L1	L1	7.1
L1	L1	L1	L1	L1	L1	L1	7.9
L1	L1	L1	L1	L1	L1	L1	8.2
L1	L1	L1	L1	L1	L1	L1	9.3
L1	L1	L1	L1	L1	L1	L1	10.3
L1	L1	L1	L1	L1	L1	L1	12

REF: L1, L2 115VAC JUMPER

25874 SINGLE PROTECTEX  
D.C. EXCITER SUPPLY

SEE SCHEMATIC - E J892

RELAY: POTTER AND BRUMFIELD  
KUL 11A15 5/12  
12VAC COIL



25882 WIRING DIA  
SEE B-25892 FOR EXCITER SCHEM.

**PERIP**  
INCORPORATED 123 W WOODRUFF TOLEDO OHIO

TITLE  
**EXCITER LAMP C/O SCHEMATIC**

TOLERANCE (EXCEPT AS NOTED):

DEC: \_\_\_\_\_ FRACT: \_\_\_\_\_ ANGLE: \_\_\_\_\_

DRAWN: \_\_\_\_\_ CHECKED: \_\_\_\_\_ APPROD: \_\_\_\_\_ DATE: \_\_\_\_\_

J.O.L.M.S. \_\_\_\_\_

ASSEMBLY NO: \_\_\_\_\_

25871/25875

DATE: 6-2-75

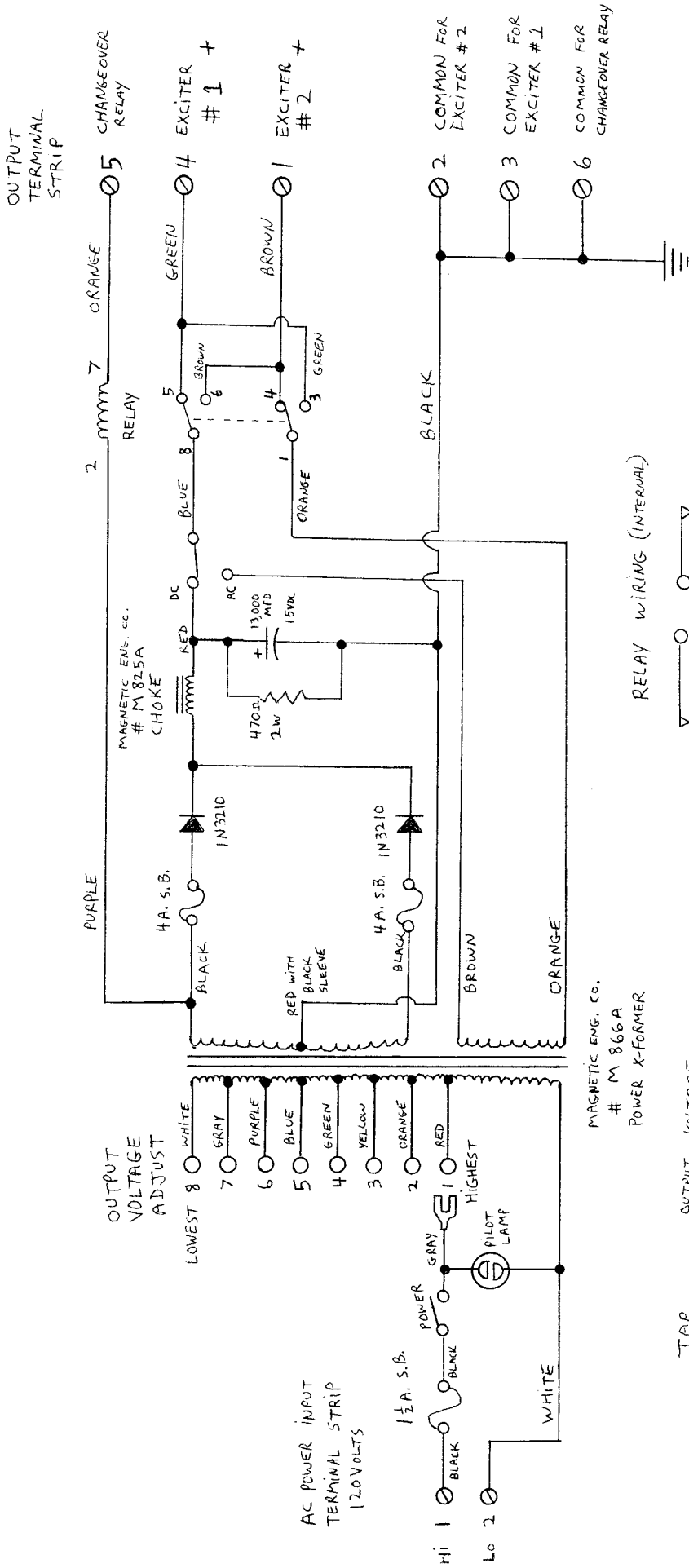
OWB No: \_\_\_\_\_

A-25894

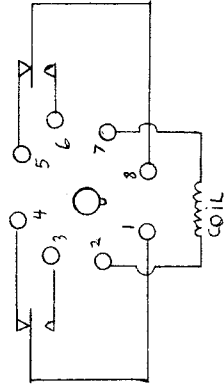
No	E.C.N.	DATE	CHANGE	BY
8				
7				
6				
5				
4				
3				
2				
1				

CHANGEOVER LATCHING RELAY

FINISH



RELAY WIRING (INTERNAL)



TAP	OUTPUT VOLTAGE
1	DC 11
2	AC 10
3	9.5
4	8.75
5	8.0
6	7.5
7	6.5
8	5.25
	4.25

POTTER AND BRUMFIELD # KRP 11 AG, 12VAC, DPDT 10 AMP CONTACTS  
 PHILLIPS ECG RLY 1042 MAY BE SUBSTITUTED

EPRAD EXCITER LAMP SUPPLY, 9VOLT 4AMP, EARLY 1970'S VERSION. FOR ONE EXCITER ON AT A TIME ONLY. MAR. 25 1994