

Film-Tech

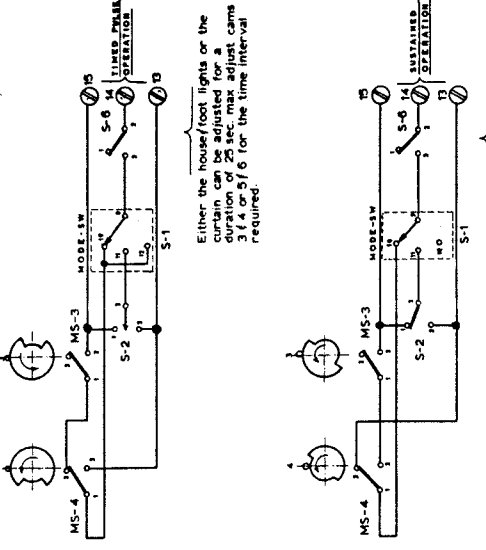
The information contained in this Adobe Acrobat pdf file is provided at your own risk and good judgment.

These manuals are designed to facilitate the exchange of information related to cinema projection and film handling, with no warranties nor obligations from the authors, for qualified field service engineers.

If you are not a qualified technician, please make no adjustments to anything you may read about in these Adobe manual downloads.

www.film-tech.com

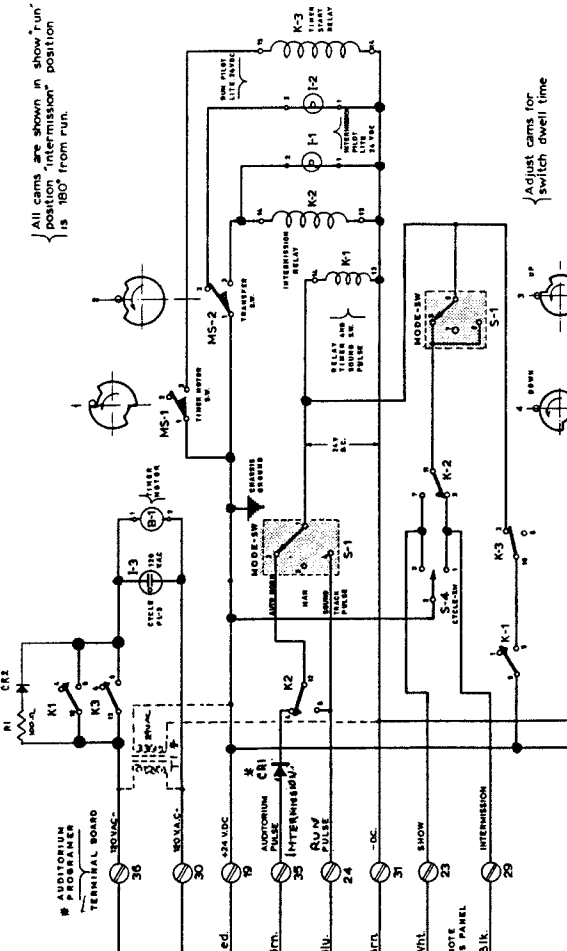
35610



Either the house foot lights or the curtain can be adjusted for a duration of 20 sec. max adjust cams 3/4 or 5/6 for the time interval required.

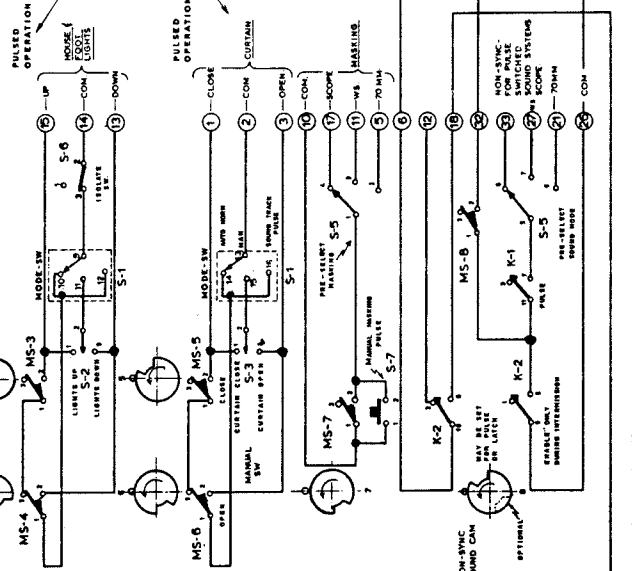
Either the house foot lights or the curtain can be adjusted for sustained operation. Adjust cams for desired operation and operation of microswitches and change the momentary rocker switches to the sustained type.

NOTE:
 Close light curtain masking contact current rating limited to 3 amp A.C. These contacts are not intended to carry full primary current of dimmers and curtain motors they are for pilot use only!



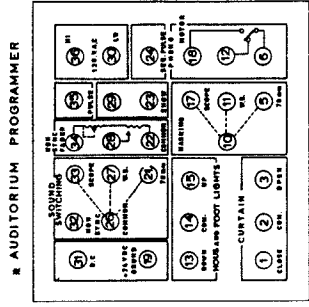
All cams are shown in show run position. Intermission position is 180° from run.

Adjust cams for switch dwell time.

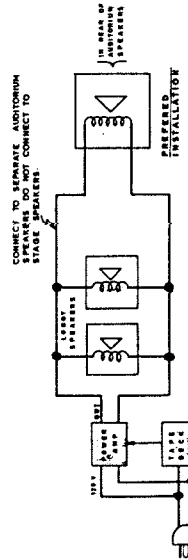


PULSED OPERATION

PULSED OPERATION



AUDITORIUM PROGRAMMER



CONNECT TO SEPARATE AUDITORIUM SPEAKERS DO NOT CONNECT TO STAGE SPEAKERS.

WHEN USED WITH COMPARATOR SYSTEM TRANSFORMER T1 IS ADDED TO SUPPLY 24V A.C. RELAYS ARE CHANGED TO 24V A.C. RELAYS, C.R.I. MAY BE OMITTED.

PEW-MOTION UNIT - SHOWERS SYSTEM