

Film-Tech

The information contained in this Adobe Acrobat pdf file is provided at your own risk and good judgment.

These manuals are designed to facilitate the exchange of information related to cinema projection and film handling, with no warranties nor obligations from the authors, for qualified field service engineers.

If you are not a qualified technician, please make no adjustments to anything you may read about in these Adobe manual downloads.

www.film-tech.com

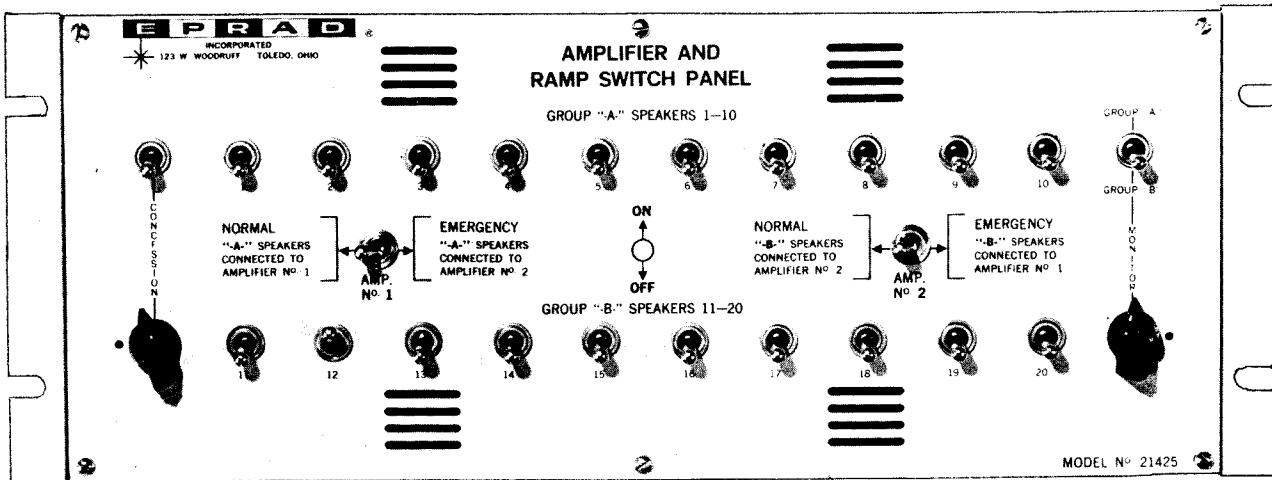
EPRAD

#21425 Ramp Amplifier and Sound
Switching Cabinet Panel
(Rack Mount style)

EPRAD, INC.
2541 Tracy Road
Northwood, Ohio 43619
(419) 666-3266
Fax: 419-666-6534

EPRAD

RAMP AMPLIFIER & SOUND SWITCHING CABINET (21425)



RAMP AMPLIFIER & SOUND SWITCHING PANEL

DESCRIPTION:

EPRAD'S new Ramp Amplifier & Sound Switching Cabinet performs three important functions for drive-in theatres: (1) provides a termination point for "home runs"; (2) isolates individual ramps for servicing; and (3) turns off sound in ramps not being used to discourage occupancy. It furnishes ON/OFF switching control of 20 circuits and will handle up to 40 ramps.

FEATURES & ADVANTAGES:

The Cabinet contains: emergency amplifier switching controls, substitute load resistors for each circuit; ON and OFF ramp switching controls; monitor and concession speaker volume controls; matching transformers for monitor and concession speakers; emergency amplifier switching controls which can switch Group A or Group B speakers to either Amplifier No. 1 or No. 2 (also allows both Group A and B speakers to be switched to one amplifier in an emergency); and controls for alternate testing of the field speaker groups from the monitor speaker. All wire connections terminate at barrier strips and the cabinet has four knock-outs top and bottom.

The Panel includes: ON/OFF switches for each of the 20 circuits; NORMAL and EMERGENCY switches for both amplifiers; ON/OFF switches and volume controls for both the concession speakers and the two 10-unit groups of speakers.

TECHNICAL DATA:

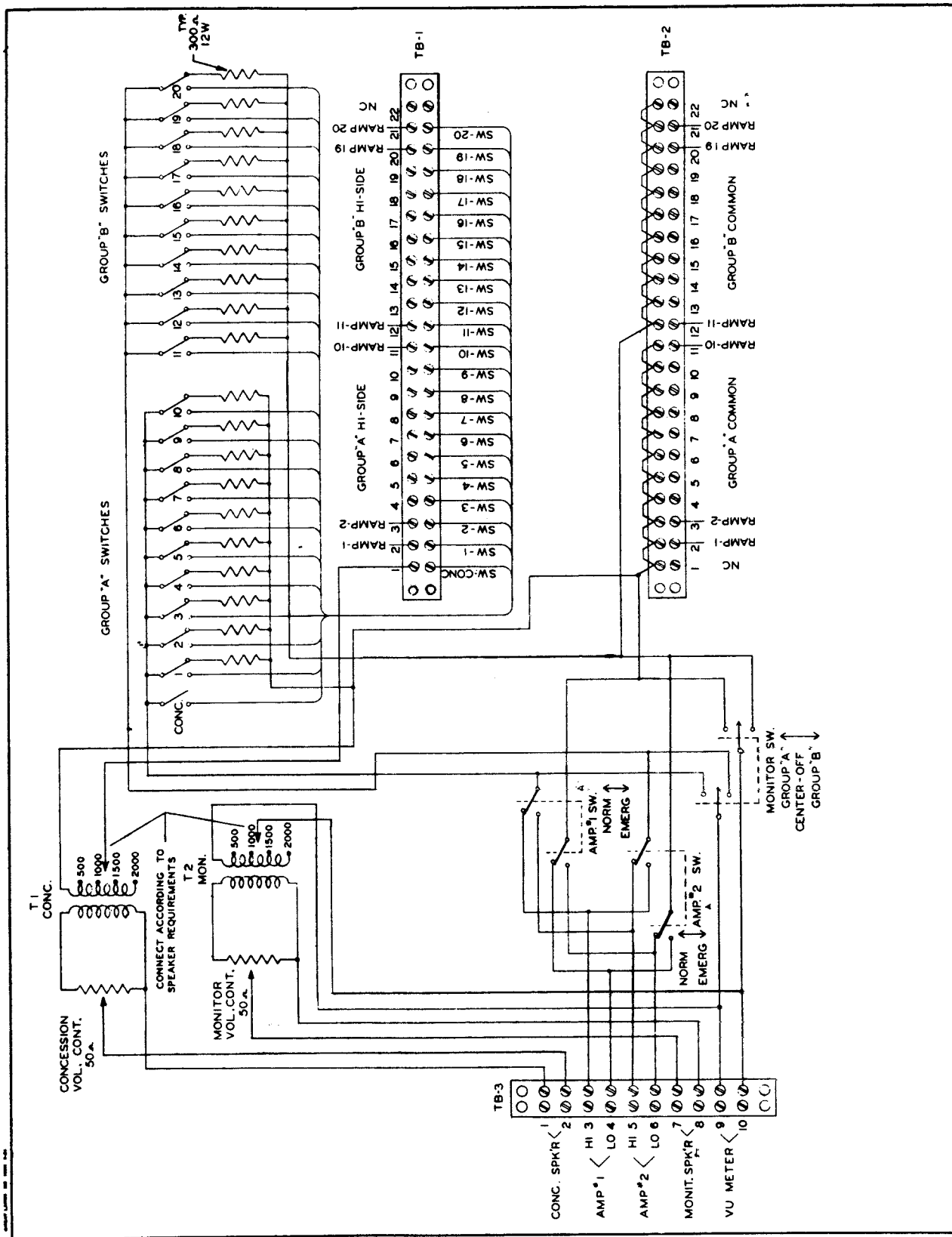
Cabinet dimensions: 17" w. x 7" h. x 6" d. It can be rack or wall-mounted.

Weight: 20 lbs.

ORDERING INFORMATION:

Order Eprad Ramp Amplifier & Sound Switching Cabinet Model No. 21425.

EPRAD



Wiring diagram: Amplifier and Ramp Switching Panel