

Film-Tech

The information contained in this Adobe Acrobat pdf file is provided at your own risk and good judgment.

These manuals are designed to facilitate the exchange of information related to cinema projection and film handling, with no warranties nor obligations from the authors, for qualified field service engineers.

If you are not a qualified technician, please make no adjustments to anything you may read about in these Adobe manual downloads.

www.film-tech.com



Dolby Laboratories Inc

Field Bulletin 208

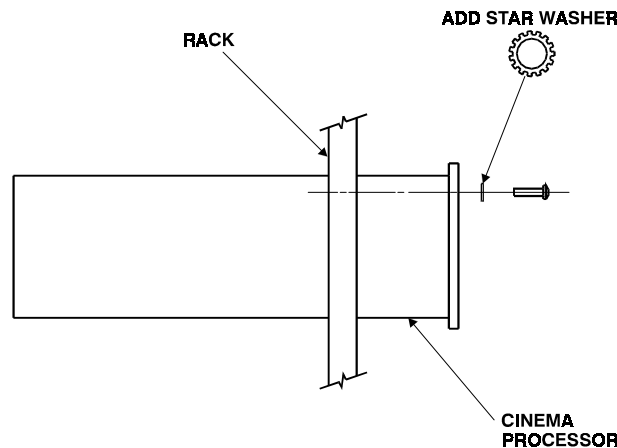
Equipment Mounting in Theatre Installations

- Modification Urgent
- Modification Recommended
- Modification Required on Early Units
- Modification if Problem is Present
- Information Bulletin

Dolby cinema processors are built to the highest standards, including the latest European CE norms. Various types of noise may be present in and around the projection booth without any audible signs of its presence. Proper mounting and wiring of cinema processors and other booth equipment helps ensure trouble-free performance.

Equipment Mounting

We recommend that Star washers be installed on all rack mounting screws to ensure good ground contact. This will aid in the prevention of electrical noise problems.



Connections

Proper shielding and termination of cables and cable assemblies is also very important. Be sure to follow the methods shown in the Cinema Processor installation manual wiring diagrams.



Signal Processing and Noise Reduction Systems

100 Potrero Avenue
 San Francisco, California 94103-4813
 Telephone 415-558-0200
 Facsimile 415-863-1373
 www.dolby.com

Wootton Bassett
 Wiltshire SN4 8QJ
 Telephone (44) 1793-842100
 Facsimile (44) 1793-842101

Issue 2
 S97/11317
 Part No. 91522
 Jan 28, 1997