

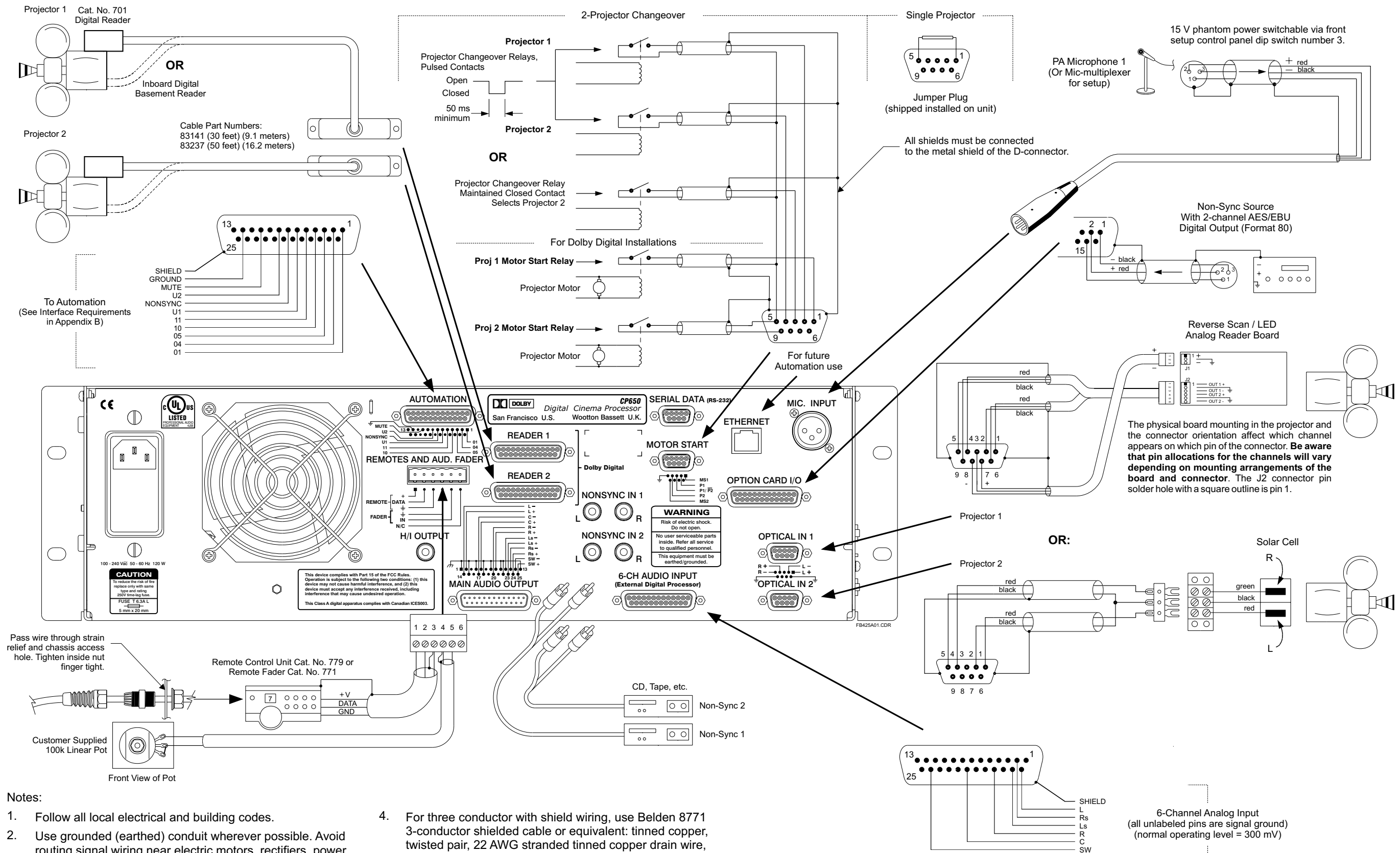
# FILM-TECH

**THE INFORMATION CONTAINED IN THIS ADOBE ACROBAT PDF FILE IS PROVIDED AT YOUR OWN RISK AND GOOD JUDGMENT.**

**THESE MANUALS ARE DESIGNED TO FACILITATE THE EXCHANGE OF INFORMATION RELATED TO CINEMA PROJECTION AND FILM HANDLING, WITH NO WARRANTIES NOR OBLIGATIONS FROM THE AUTHORS, FOR QUALIFIED FIELD SERVICE ENGINEERS.**

**IF YOU ARE NOT A QUALIFIED TECHNICIAN, PLEASE MAKE NO ADJUSTMENTS TO ANYTHING YOU MAY READ ABOUT IN THESE ADOBE MANUAL DOWNLOADS.**

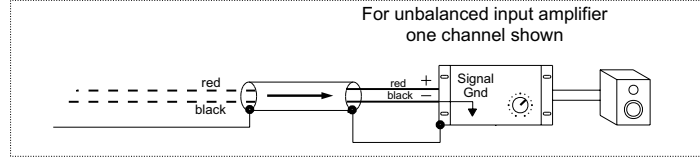
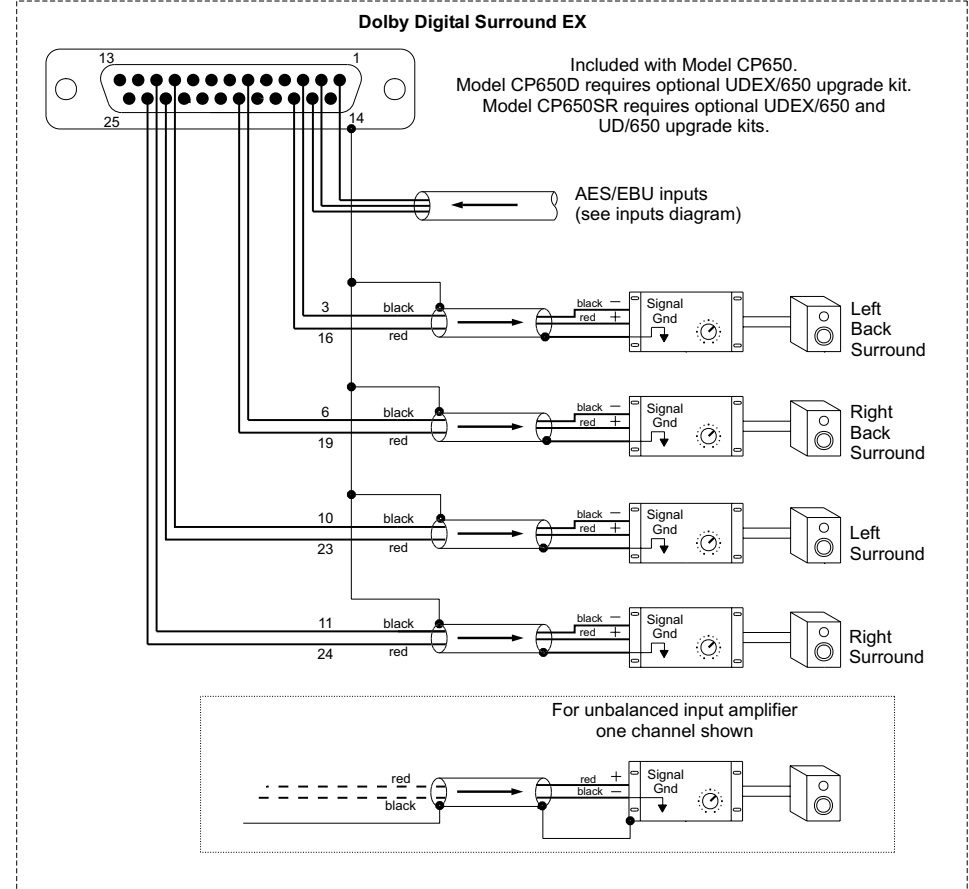
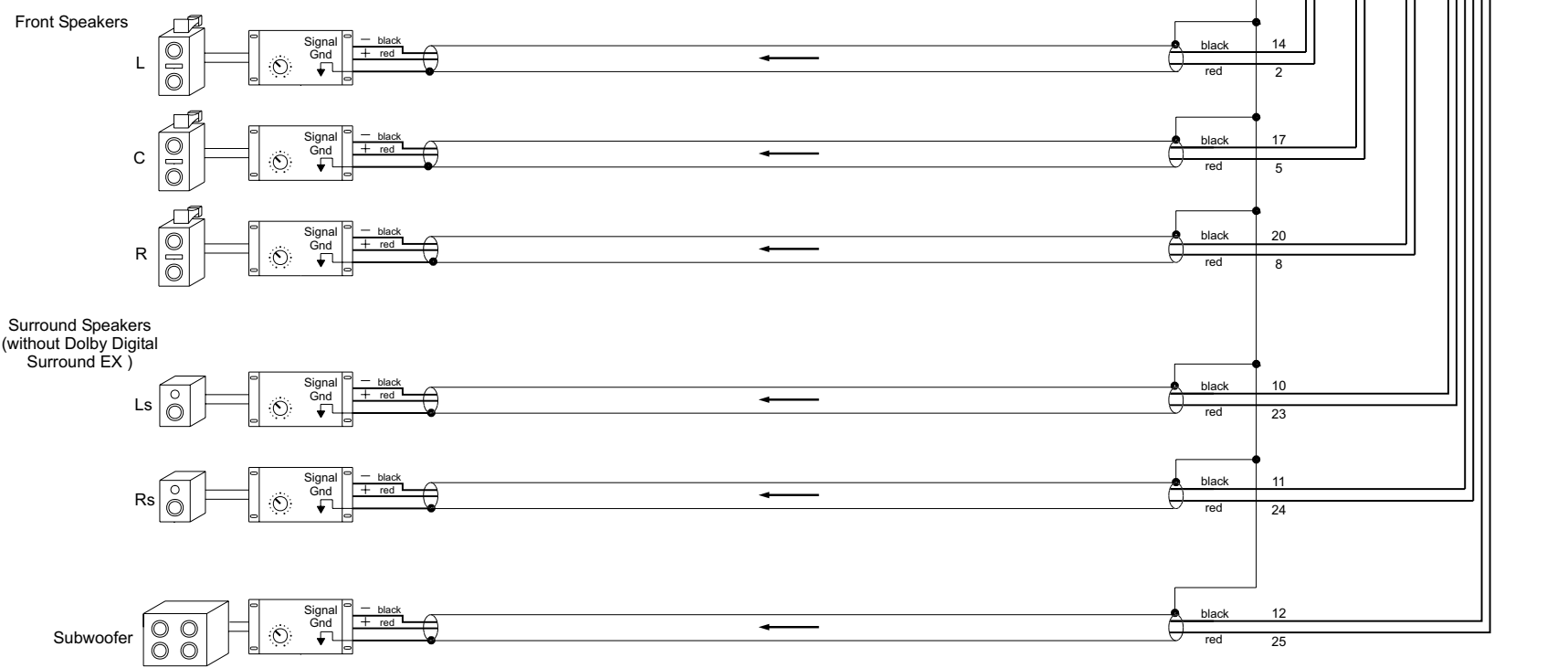
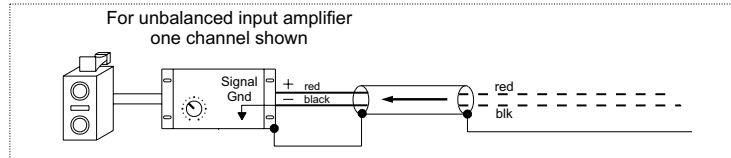
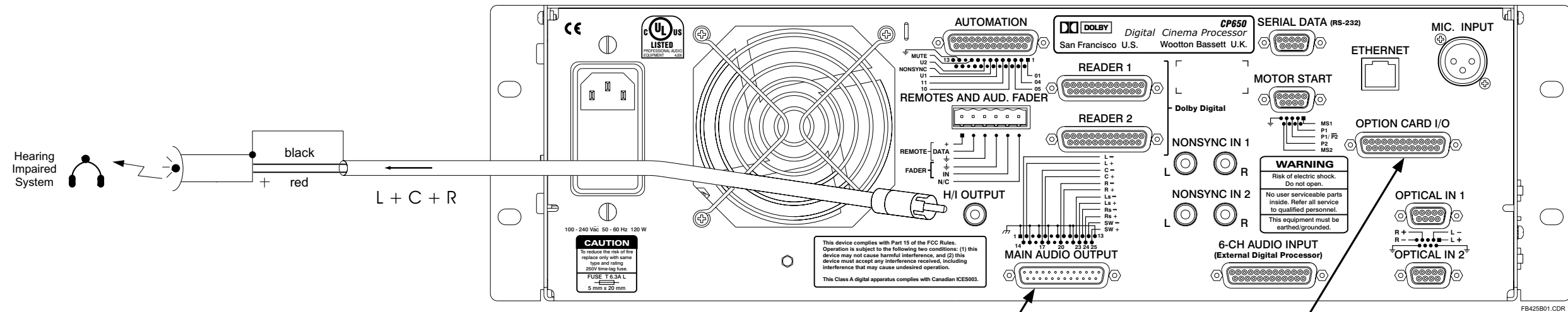
**[WWW.FILM-TECH.COM](http://WWW.FILM-TECH.COM)**



Notes:

1. Follow all local electrical and building codes.
2. Use grounded (earthed) conduit wherever possible. Avoid routing signal wiring near electric motors, rectifiers, power wiring, dimmer wiring, or other sources of electrical noise.
3. For two conductor with shield wiring, use Belden 8451 2-conductor shielded cable or equivalent: tinned copper, twisted pair, 22 AWG stranded tinned copper drain wire, aluminum-polyester shield, 100% shield coverage, conductor-to-conductor 111 pF per meter.
4. For three conductor with shield wiring, use Belden 8771 3-conductor shielded cable or equivalent: tinned copper, twisted pair, 22 AWG stranded tinned copper drain wire, aluminum-polyester shield, 100% shield coverage, conductor-to-conductor 75 pF per meter.
5. All shields must be connected to the CHASSIS of the CP650. This achieves the required RF interference immunity. A metal housing must be used for all D-connectors and the shields must be connected to the housing. Chassis ground and circuit (audio) ground are internally connected.

**CP650 INSTALLATION WIRING  
INPUT AND CONTROL CONNECTIONS**



Notes:

1. Follow all local electrical and building codes.
2. Use grounded (earthed) conduit wherever possible. Avoid routing signal wiring near electric motors, rectifiers, power wiring, dimmer wiring, or other sources of electrical noise.
3. For two conductor with shield wiring, use Belden 8451 2-conductor shielded cable or equivalent: tinned copper, twisted pair, 22 AWG stranded tinned copper drain wire, aluminum-polyester shield, 100% shield coverage, conductor-to-conductor 111pF per meter.
4. All shields must be connected to the CHASSIS of the CP650. This achieves the required RF interference immunity. A metal housing must be used for all D-connectors and the shields must be connected to the housing. Chassis ground and circuit (audio) ground are internally connected.

**CP650 INSTALLATION WIRING  
AUDIO OUTPUT CONNECTIONS**