

# Film-Tech

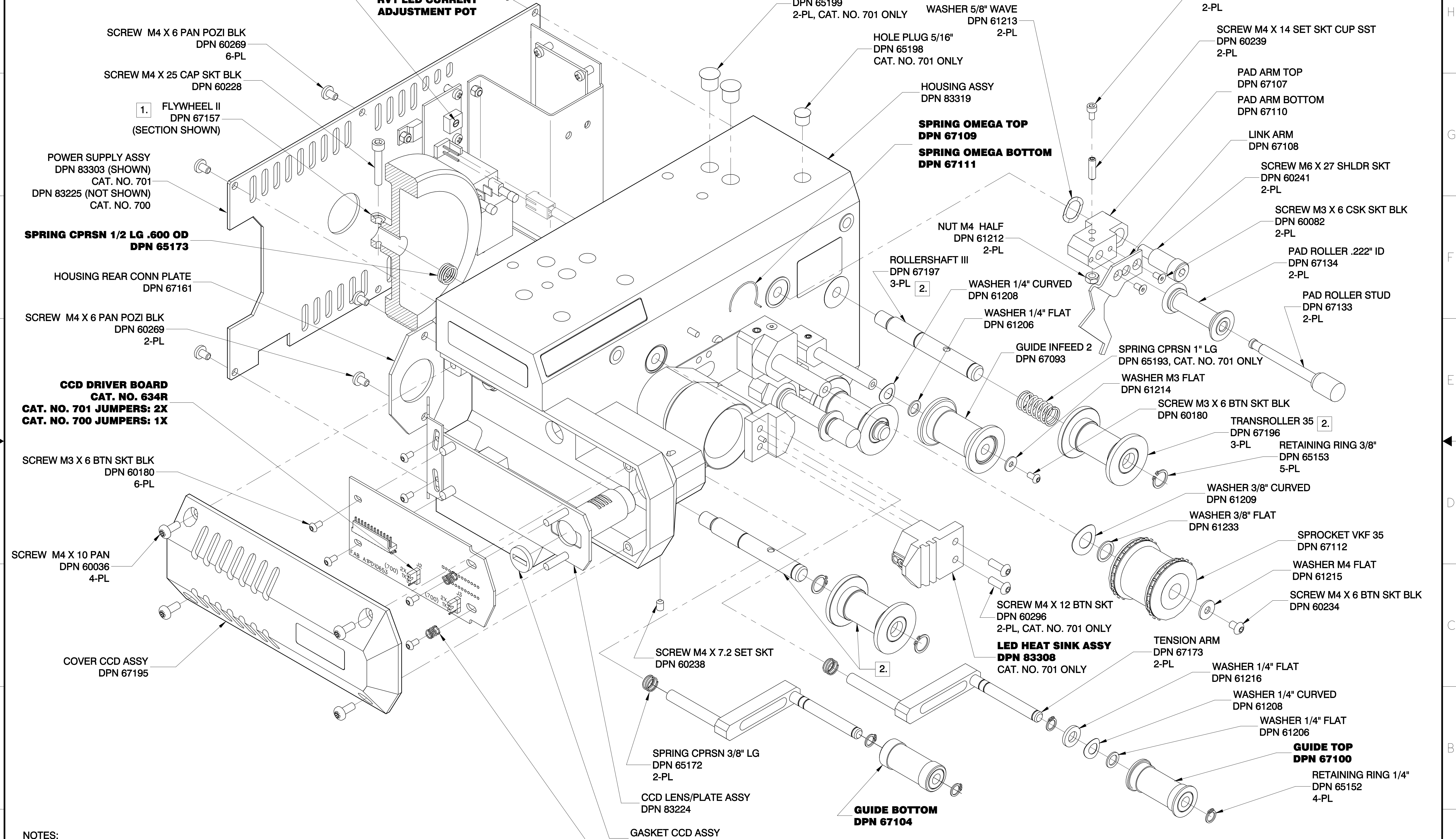
The information contained in this Adobe Acrobat pdf file is provided at your own risk and good judgment.

These manuals are designed to facilitate the exchange of information related to cinema projection and film handling, with no warranties nor obligations from the authors, for qualified field service engineers.

If you are not a qualified technician, please make no adjustments to anything you may read about in these Adobe manual downloads

[www.film-tech.com](http://www.film-tech.com)

REVISION RECORD						
REV	DATE	REMARKS	BY	CHK	ENG	SF/WB MFG
1	01JUN00	RELEASE PER ECO-8810.	GJL	LJ	WHA	



- NOTES:**
- FOR SHIPPING: ATTACH SHIPPING COLLAR (DPN 67175 NOT SHOWN), COMPRESSION SPRING (DPN 65173) AND M4 X 25 SCREW (DPN 60228); SHIP FLYWHEEL II (DPN 67157) SEPARATELY.
  - SEE TRANSROLLER ASSEMBLY TABLE ON SHEET 2 FOR OPTIONAL 35/70 MM BYPASS TRANSROLLER ASSEMBLY.

DO NOT SCALE DRAWING	
SCALE NONE	TOLERANCES UNLESS OTHERWISE STATED MILLIMETERS
THIRD ANGLE PROJECTION	DIMS. TO 1 DEC PLACE ±0.3 DIMS. TO 2 DEC PLACES ±0.15 DIMS. WITHOUT DEC PLACE ±0.6
PARENT:CAT700.DWG	ANGULAR ± 0' 30'

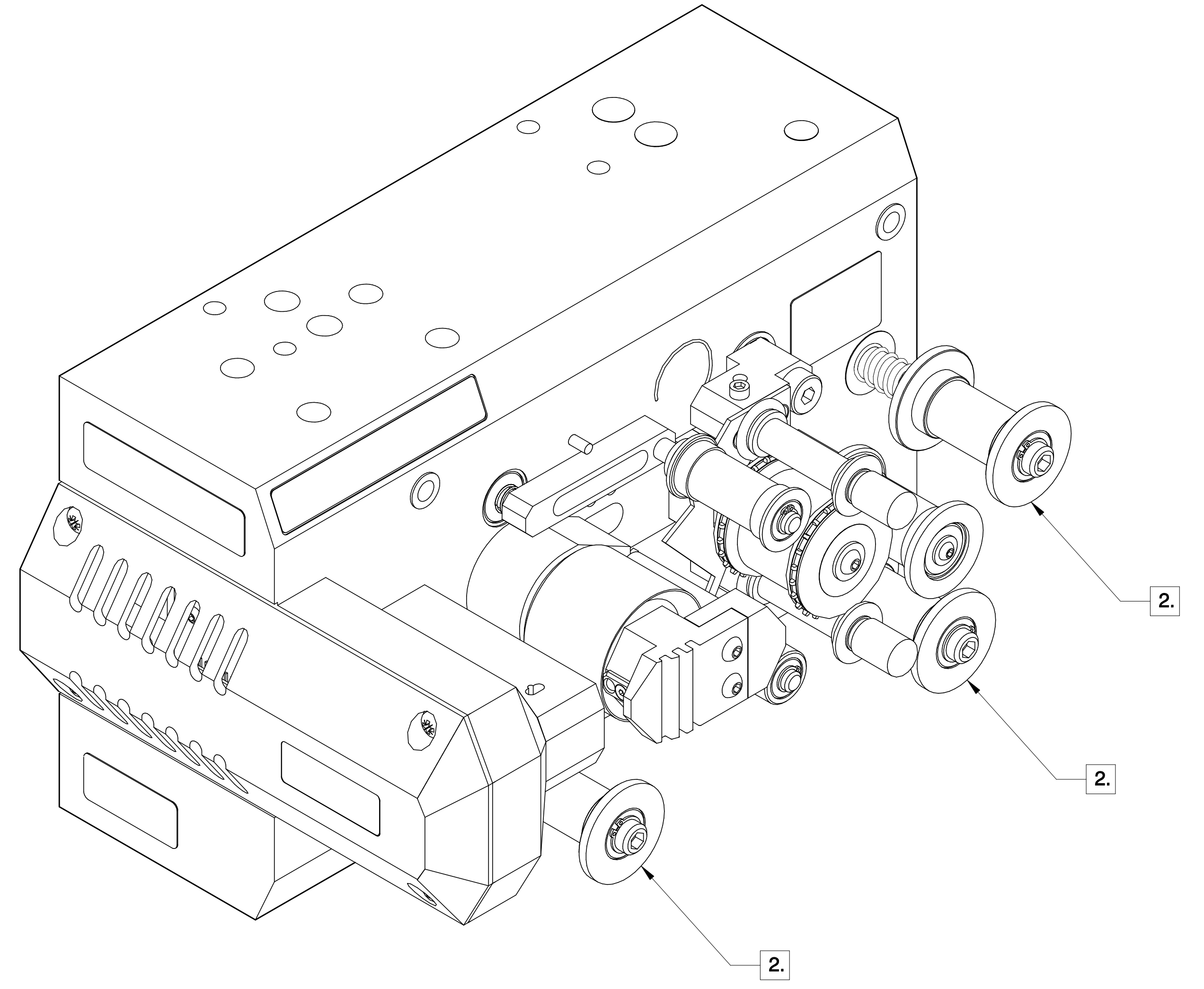
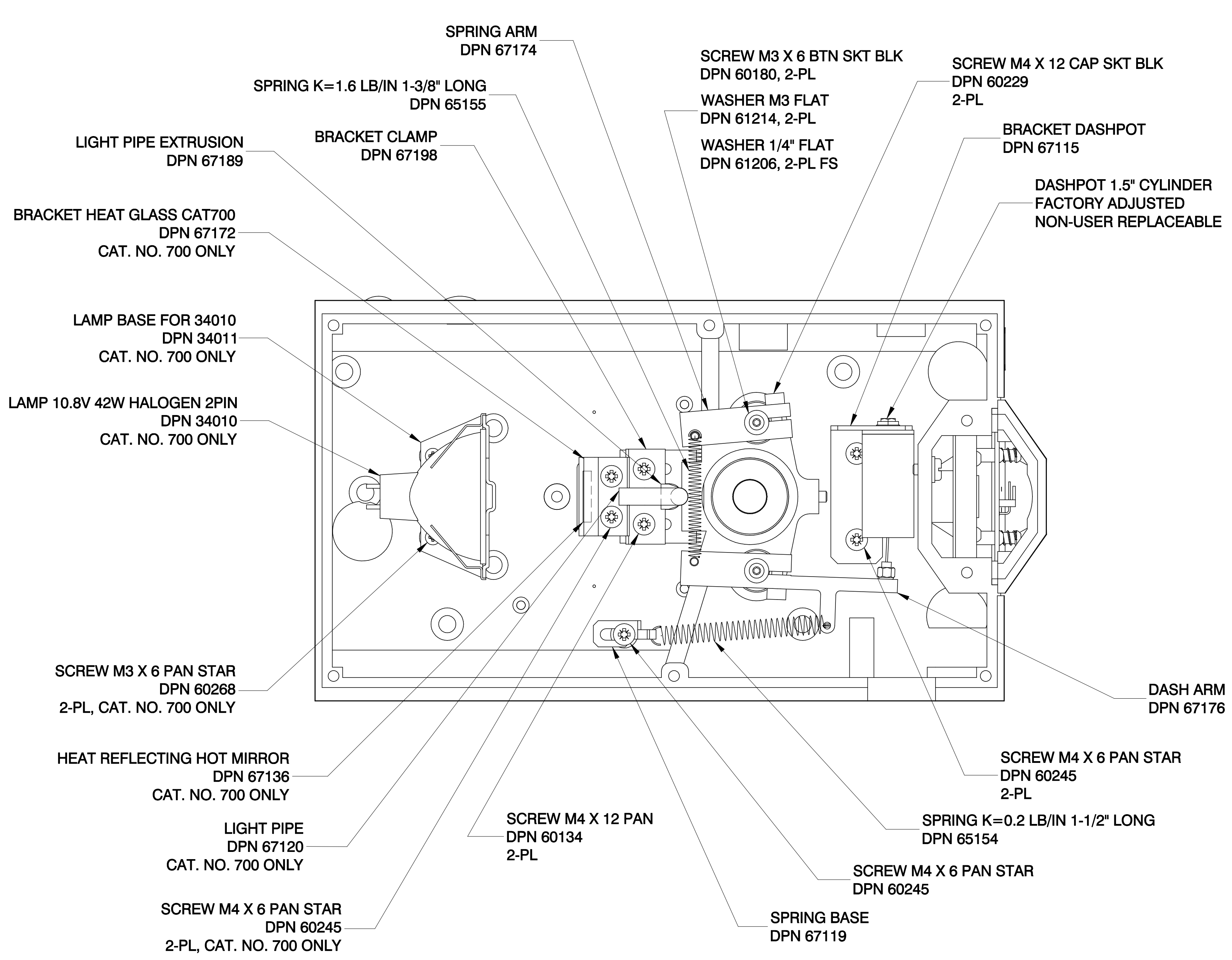
**CONFIDENTIALITY NOTICE:** THIS DOCUMENT (INCLUDING ALL INFORMATION CONTAINED THEREIN) IS OWNED BY DOLBY LABORATORIES INC. AND MUST BE KEPT IN CONFIDENCE AND USED SOLELY FOR THE OWNER'S SPECIFIED PURPOSES. IT'S CONTENT MAY ALSO BE COVERED BY PATENTS. THIS DOCUMENT MUST NOT BE COPIED OR REPRODUCED, NOR DIVULGED IN WHOLE OR PART WITHOUT THE OWNER'S PRIOR WRITTEN CONSENT.

**DOLBY LABORATORIES INC.**  
100 POTRERO AVE.  
SAN FRANCISCO, CA 94103-4813  
WOOTTON BASSETT,  
WILTSHIRE SN4 8QJ

TITLE: ASSEMBLY:  
CAT. NO. 700/701

SHEET 1 of 2 A1F11504 REV 1

REVISION RECORD						
REV	DATE	REMARKS	BY	CHK	ENG	SF/WB MFG
SEE SHEET 1 FOR REVISION HISTORY.						



**REAR VIEW**  
(POWER SUPPLY ASSEMBLY NOT SHOWN)

TRANSROLLER ASSEMBLY TABLE		
	STANDARD 35 MM	OPTIONAL 35/70 MM BYPASS (DPN 83239)
	2.	
DESCRIPTION	DOLBY PART NUMBER (DPN)	
TRANSROLLER	67196	67097
SHAFT	67197	67177
RETAINING CLIP (2)	65153	65153

DO NOT SCALE DRAWING	
SCALE NONE	TOLERANCES UNLESS OTHERWISE STATED
THIRD ANGLE PROJECTION	MILLIMETERS
F5504501.dwg	DIMS. TO 1 DEC PLACE ±0.3
	DIMS. TO 2 DEC PLACES ±0.15
	DIMS. WITHOUT DEC PLACE ±0.6
PARENT:CAT700.DWG	ANGULAR ± 0' 30'

CONFIDENTIALITY NOTICE: THIS DOCUMENT (INCLUDING ALL INFORMATION CONTAINED THEREIN) IS OWNED BY DOLBY LABORATORIES INC. AND MUST BE KEPT IN CONFIDENCE AND USED SOLELY FOR THE OWNER'S SPECIFIED PURPOSES. IT'S CONTENT MAY ALSO BE COVERED BY PATENTS. THIS DOCUMENT MUST NOT BE COPIED OR REPRODUCED, NOR DIVULGED IN WHOLE OR PART WITHOUT THE OWNER'S PRIOR WRITTEN CONSENT.

ALL DIMENSIONS ARE IN MILLIMETERS  
ALL FINISHED DIMENSIONS ARE AFTER PLATING AND PAINTING

**DO DOLBY LABORATORIES INC.**  
 100 POTRERO AVE.  
 SAN FRANCISCO, CA 94103-4813  
 WOOTTON BASSETT,  
 WILTSHIRE SN4 8QJ

TITLE	ASSEMBLY: CAT. NO. 700/701
SHEET 2 of 2	A1F11504
REV 1	