

# FILM-TECH

**THE INFORMATION CONTAINED IN THIS ADOBE ACROBAT PDF FILE IS PROVIDED AT YOUR OWN RISK AND GOOD JUDGMENT.**

**THESE MANUALS ARE DESIGNED TO FACILITATE THE EXCHANGE OF INFORMATION RELATED TO CINEMA PROJECTION AND FILM HANDLING, WITH NO WARRANTIES NOR OBLIGATIONS FROM THE AUTHORS, FOR QUALIFIED FIELD SERVICE ENGINEERS.**

**IF YOU ARE NOT A QUALIFIED TECHNICIAN, PLEASE MAKE NO ADJUSTMENTS TO ANYTHING YOU MAY READ ABOUT IN THESE ADOBE MANUAL DOWNLOADS.**

**[WWW.FILM-TECH.COM](http://WWW.FILM-TECH.COM)**

CINEMECCANICA - MILANO

L.136/III-79  
Agg.-updated -  
Mis à jour: I-83

Listino

LANTERNA CX 16 H

Pezzi di ricambio  
Pièces de rechange  
Spare parts catalogue

LANTERNA CX 16 H

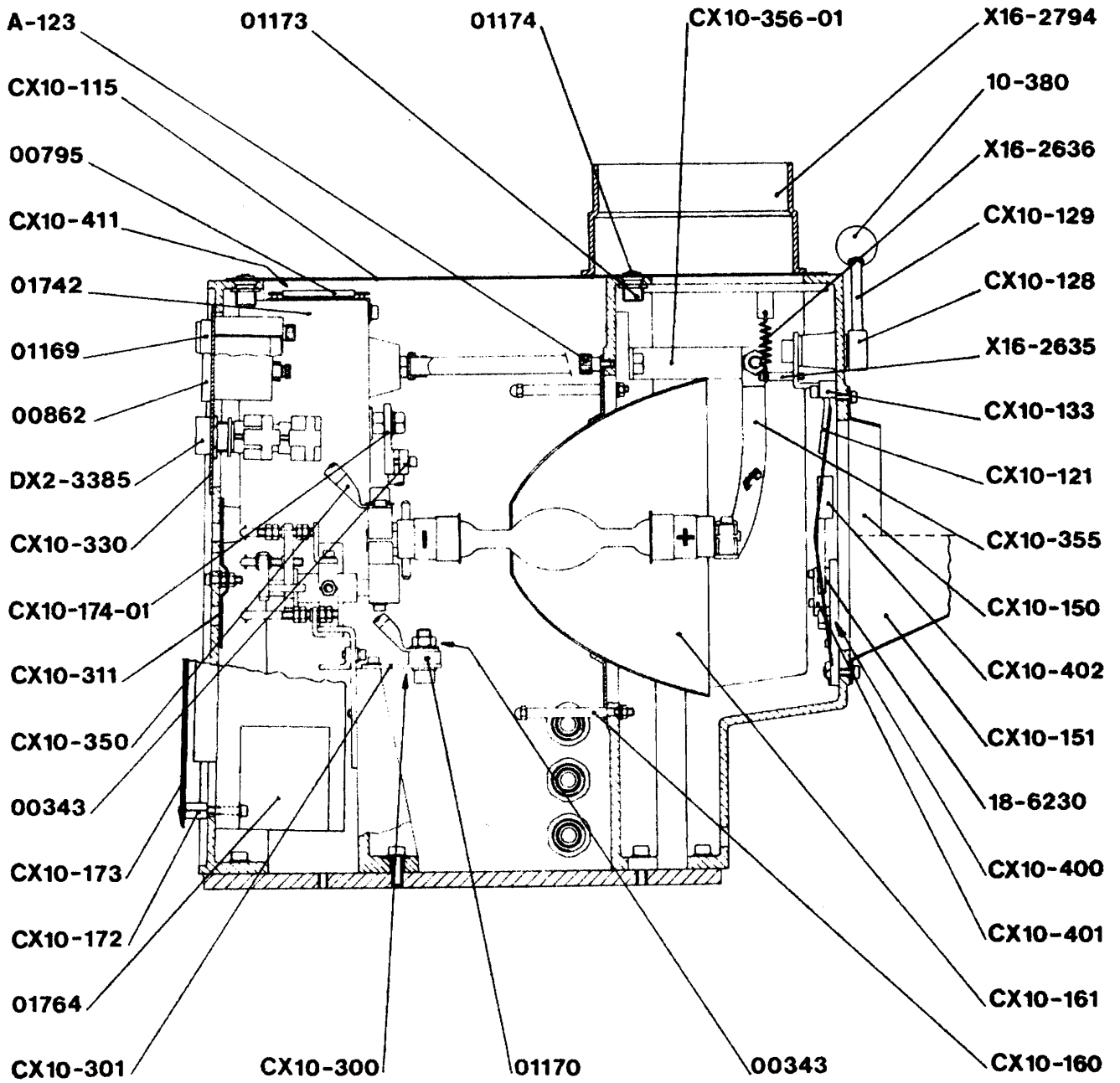


FIG. 1

CX 16 H LAMPHOUSEFIG. 1 - LAMPHOUSE - CROSS SECTION

00343	- Cable clamp
00795	- Reed relay
00862	- Hour meter
01169	- Ammeter
01170	- Shunt
01173	- Female Camlock fastener with nut
01174	- Rod with washer
01742	- Starter (voltage and frequency to be advised)
01764	- Axial blower (for lamphouses from S/N 82415)
CX10-115	- Cover
CX10-121	- Dowser complete with stop
CX10-128	- Hub
CX10-129	- Dowser handle rod
CX10-133	- Eccentric spacer
CX10-150	- Cone for Victoria 8
CX10-151	- Cone for Victoria 5
CX10-160	- Mirror guide rod
CX10-161	- Complete mirror
CX10-172	- Blower spacer
CX10-173	- Blower cover
CX10-300	- Insulating board with shunt
CX10-301	- Insulating board
CX10-311	- Adjustment holes shutter plate
CX10-330	- Meters panel
CX10-350	- Negative cable
CX10-355	- Vertical positive lead
CX10-356-01	- Horizontal positive lead
CX10-400	- Mascarini microswitch
CX10-401	- Mascarini microswitch plate
CX10-402	- Microswitch with air vane
CX10-411	- Board with Reed relay
X16-2635	- Dowser spring screw
X16-2636	- Spring
X16-2794	- Air exhaust duct
CX10-174-01	- Negative clamp
DX2-3385	- Double push button
A-123	- Knob
10-380	- Knob
18-6230	- Insulating plate

The zeros in front of numbers mean the piece is standard.

LANTERNA CX 16 H

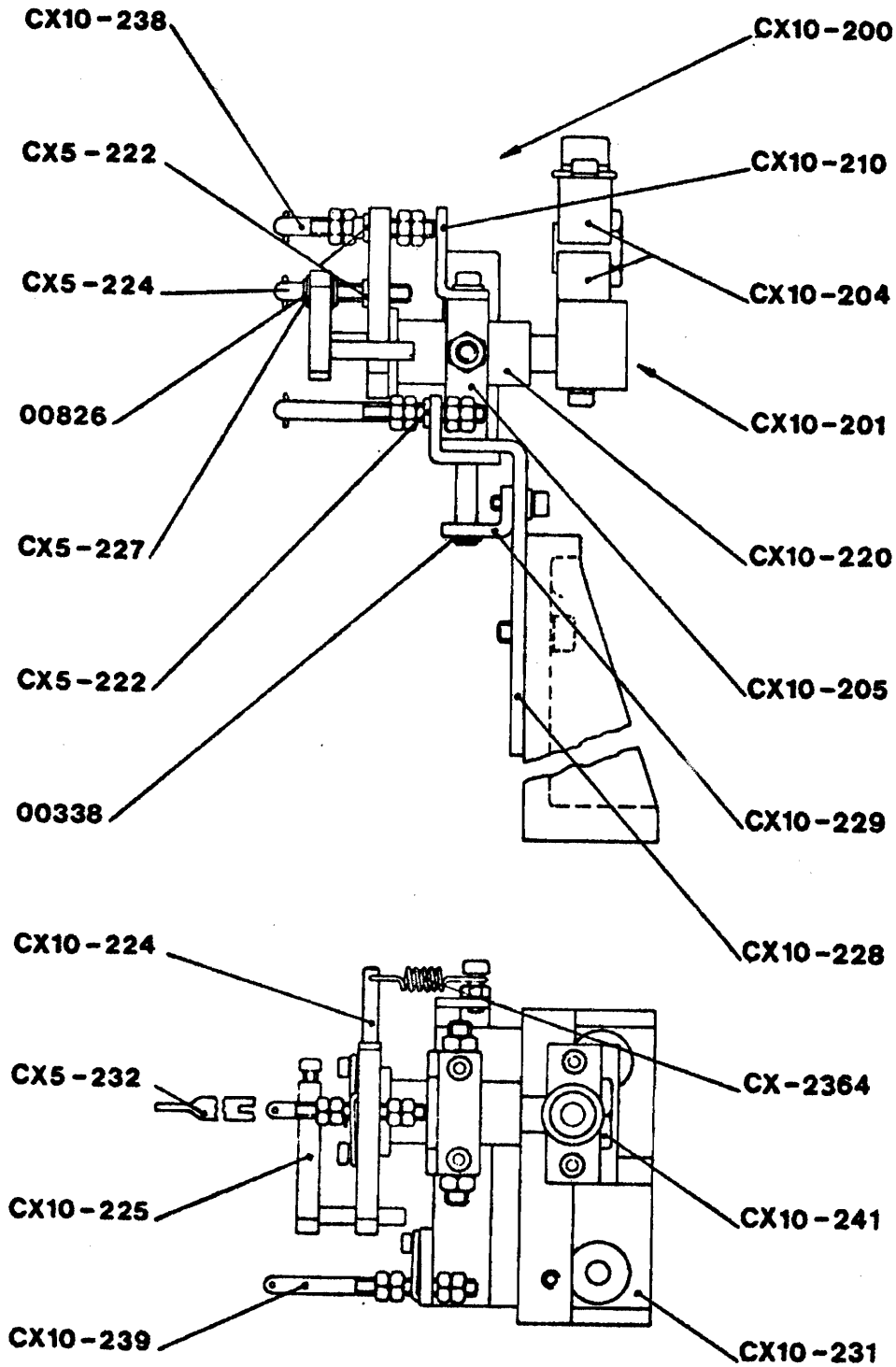


FIG. 2

CX 16 H LAMPHOUSE

FIG. 2 - BULB HOLDER AND CONTROLS

- 00338 - Benzing ring
- 00826 - Circlip
- CX10-200 - Bulb holder and controls
- CX10-201 - Bulb holding rod
- CX10-204 - Clamp
- CX10-205 - Bulb holding fork
- CX10-210 - Bracket
- CX10-220 - Bulb rod holding bush
- CX10-224 - Spring anchoring rod
- CX10-225 - Bulb focusing screw support
- CX10-228 - Bulb holder/control unit support
- CX10-229 - Fork guide bracket
- CX10-231 - Bracket for bulb holder/control unit support  
(machined casting)
- CX10-238 - Vertical adjustment screw complete with nuts
- CX10-239 - Lateral adjustment screw complete with nuts
- CX10-241 - Bulb adaptor
- CX5-222 - Adjustment screw clutch plate
- CX5-224 - Focus adjustment screw complete with nuts
- CX5-227 - Washer
- CX5-232 - Adjustment wrench
- CX-2364 - Return spring

## LANTERNA CX 16 H

FIG. 3 - BLOWER - AUTO START UNIT

- 00572 - Washer
- 01172 - Cable clamp with lock nut
- 01185 - 10-terminal board
- 01186 - 15-terminal board for auto start
- 01348 - Auto start relay
- CX10-177 - Terminal board number plate
- CX10-183 - Complete blower dowser
- CX10-184 - Microswitch mounting bracket
- CX10-186 - Microswitch with dowser
- CX10-357 - Insulating disc
- CX10-358 - Screw
- CX10-365 - Positive cable
- XH-1190 - Auto start unit
- XH-1191 - Relay bracket
- X25V-4020 - Sight glass frame
- Z450-2495 - Sight glass
- Z450-2497 - Sight glass spring
- 18-6230 - Insulating plate
- 3653-38 - 38mm dia. circlip

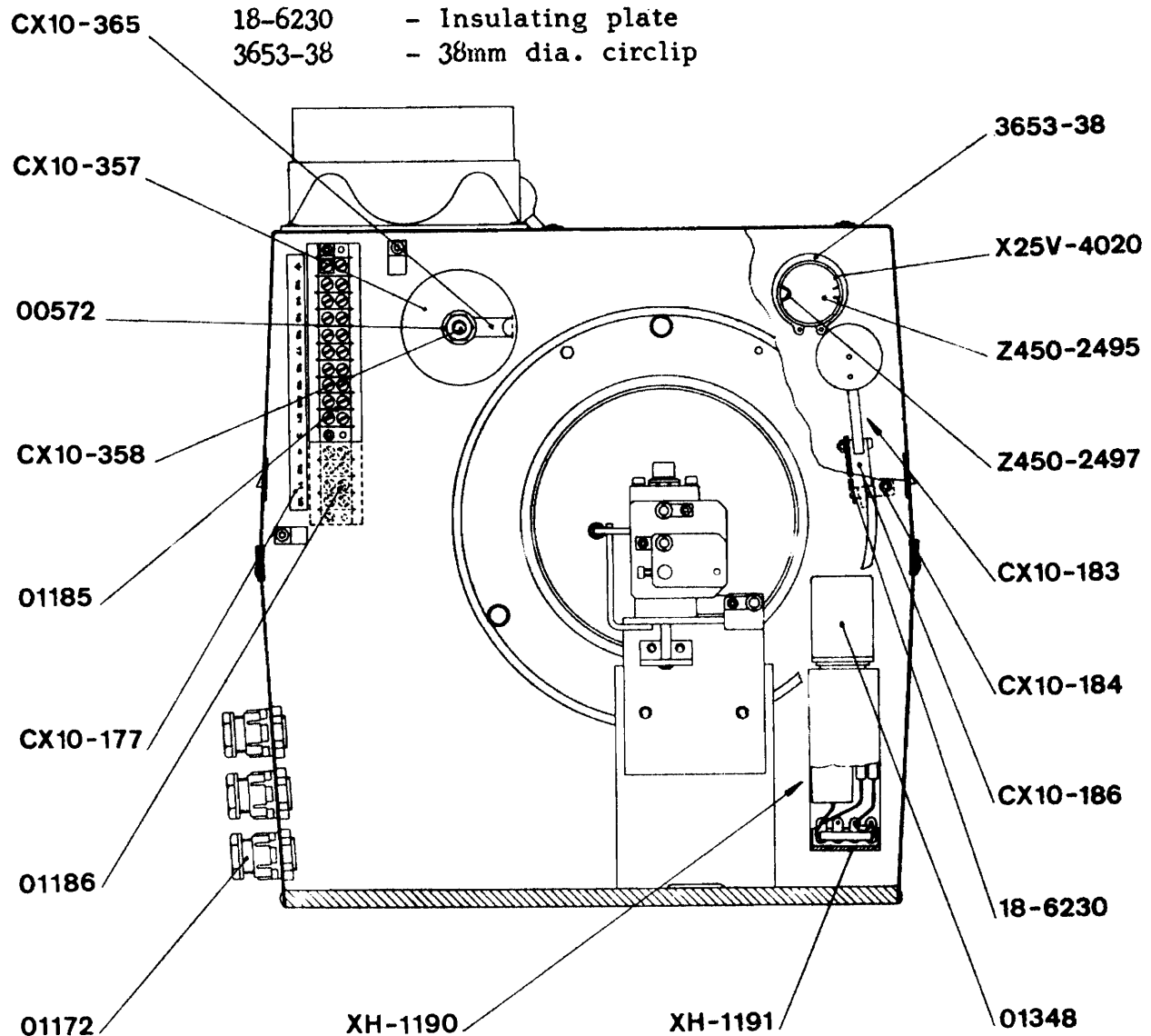


FIG. 3

LANTERNA CX 16 HFIG. 4 - VARIANTE PORTASPECCHIO  
(dal No. 80291)

CX10-165	- Porta specchio completo
CX10-162	- Specchio
CX10-163	- Tazza porta specchio
CX10-166	- Anello montaggio specchio
10-783	- Molla

FIG. 4 - VARIANTE PORTE-MIROIR  
(à partir du No. 80291)

CX10-165	- Porte-miroir complet
CX10-162	- Miroir
CX10-163	- Tasse porte-miroir
CX10-166	- Rondelle de montage du miroir
10-783	- Ressort

FIG. 4 - MODIFICATION OF MIRROR HOLDER  
(from serial No. 80291)

CX10-165	- Mirror holder assembly
CX10-162	- Mirror
CX10-163	- Mirror holder cup
CX10-166	- Mirror outer diameter ring
10-783	- Spring

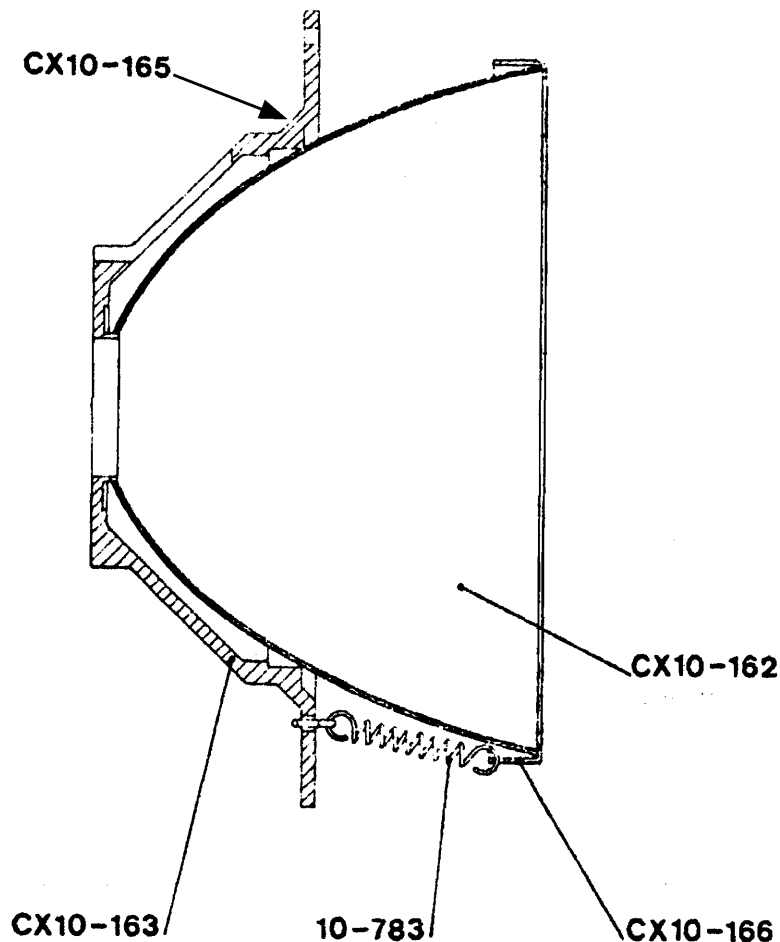


FIG. 4



LANTERNA CX 16 HFIG. 5 - VARIANTE PER AMPOLLA 1600W

- CX10-500 - Serie di pezzi aggiuntivi per versione 1600W
- 01119-28 - Fascetta fissa cavo
- CX10-522 - Tubo condotto aria (Pyrex)
- CX10-523 - Tubo in plastica
- CX10-524 - Squadretta fissaggio tubo

FIG. 5 - VARIANTE POUR LAMPE 1600W

- CX10-500 - Kit complet pour lampe 1600W
- 01119-28 - Collier de fixation câble
- CX10-522 - Tube conduit air en pyrex
- CX10-523 - Tube en plastique
- CX10-524 - Crochet de fixation tube

FIG. 5 - 1600W VERSION

- CX10-500 - Kit for 1600W version
- 01119-28 - Cable clamp collar
- CX10-522 - Pyrex air pipe
- CX10-523 - Plastic air pipe
- CX10-524 - Air pipe bracket

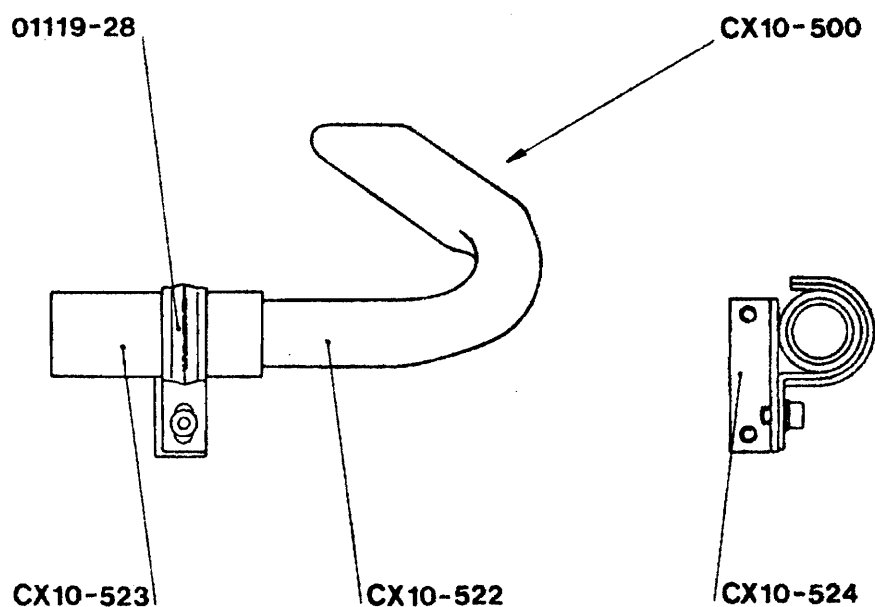


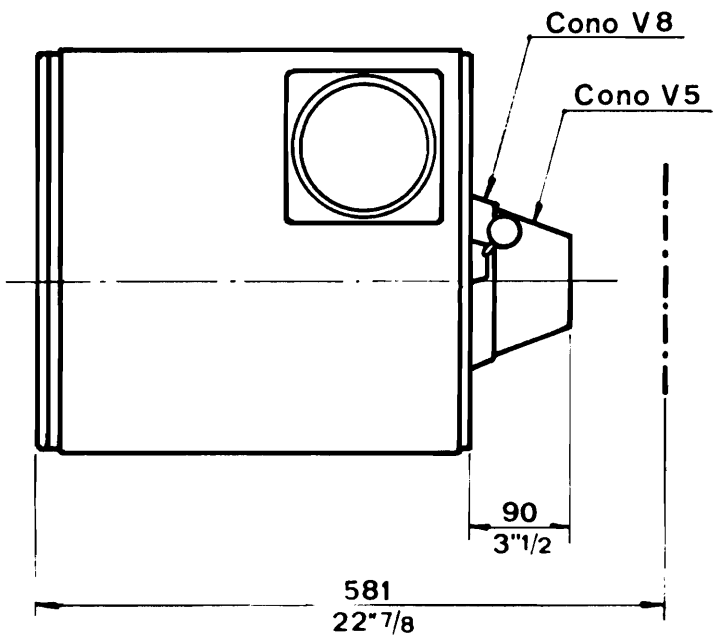
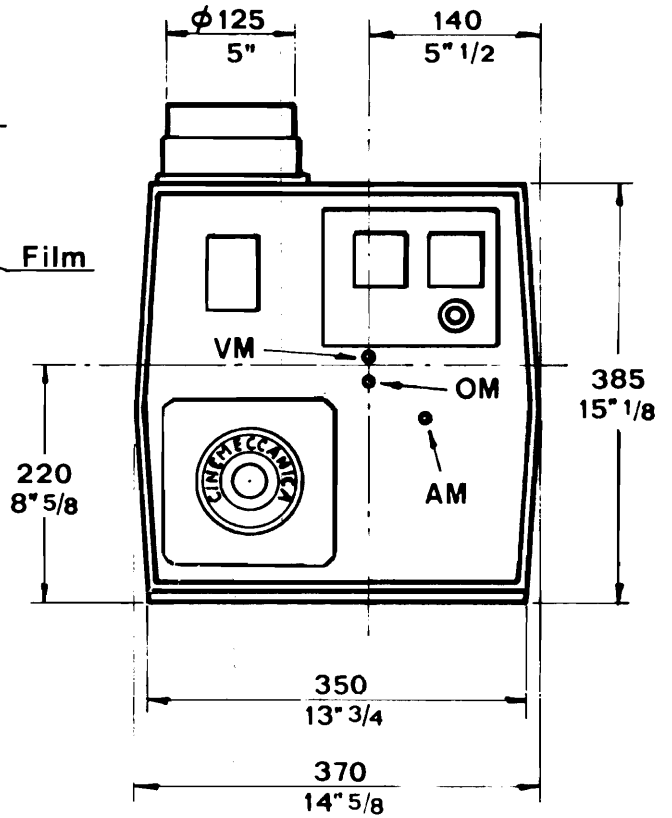
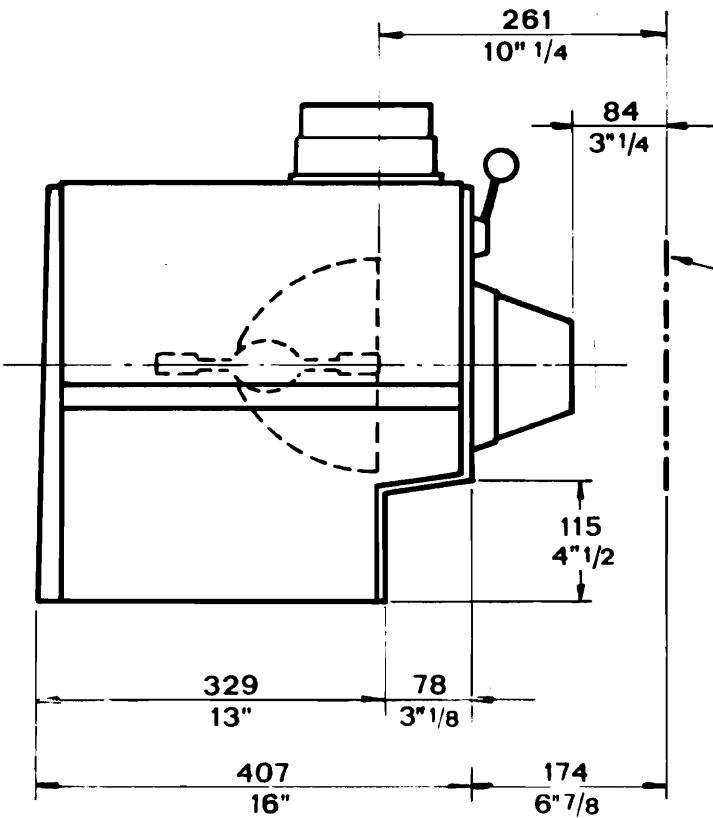
FIG. 5



LANTERNA CX 16 H

7720

Dimensioni d'ingombro - Overall dimensions



Spostamento orizzontale  
AM - Déplacement horizontal  
Horizontal displacement

Inclinazione verticale  
VM - Inclinaison verticale  
Vertical tilting

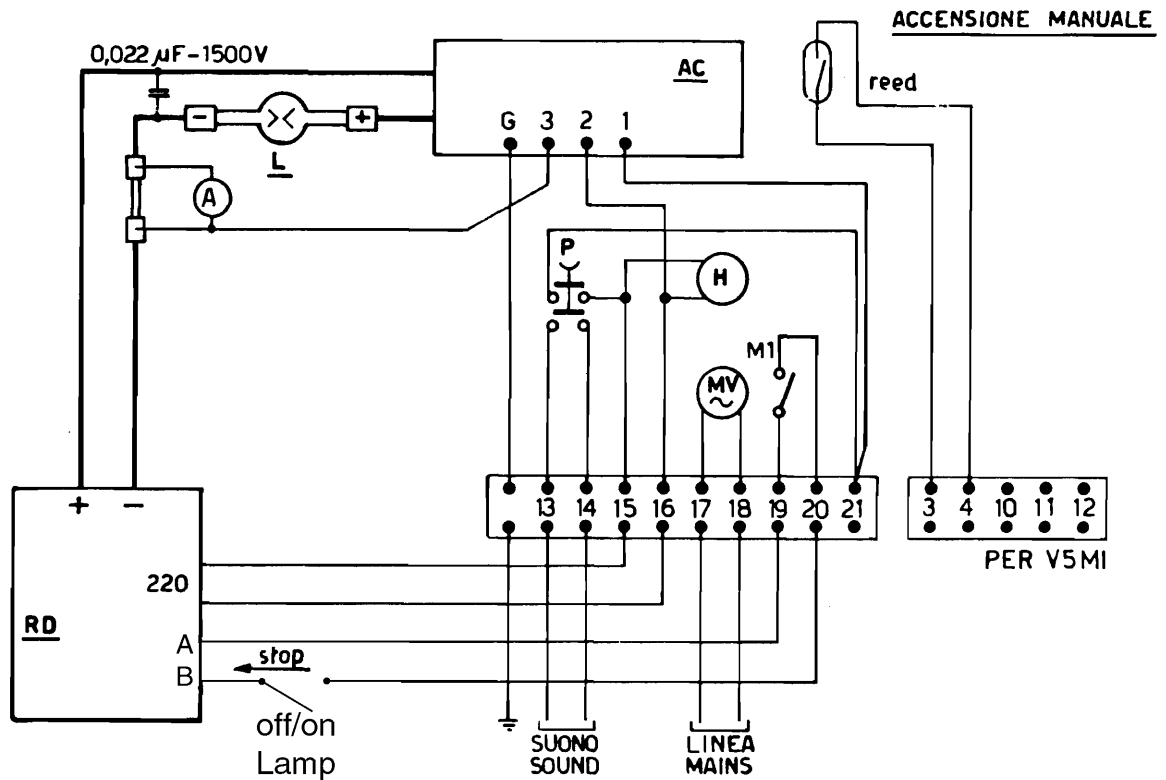
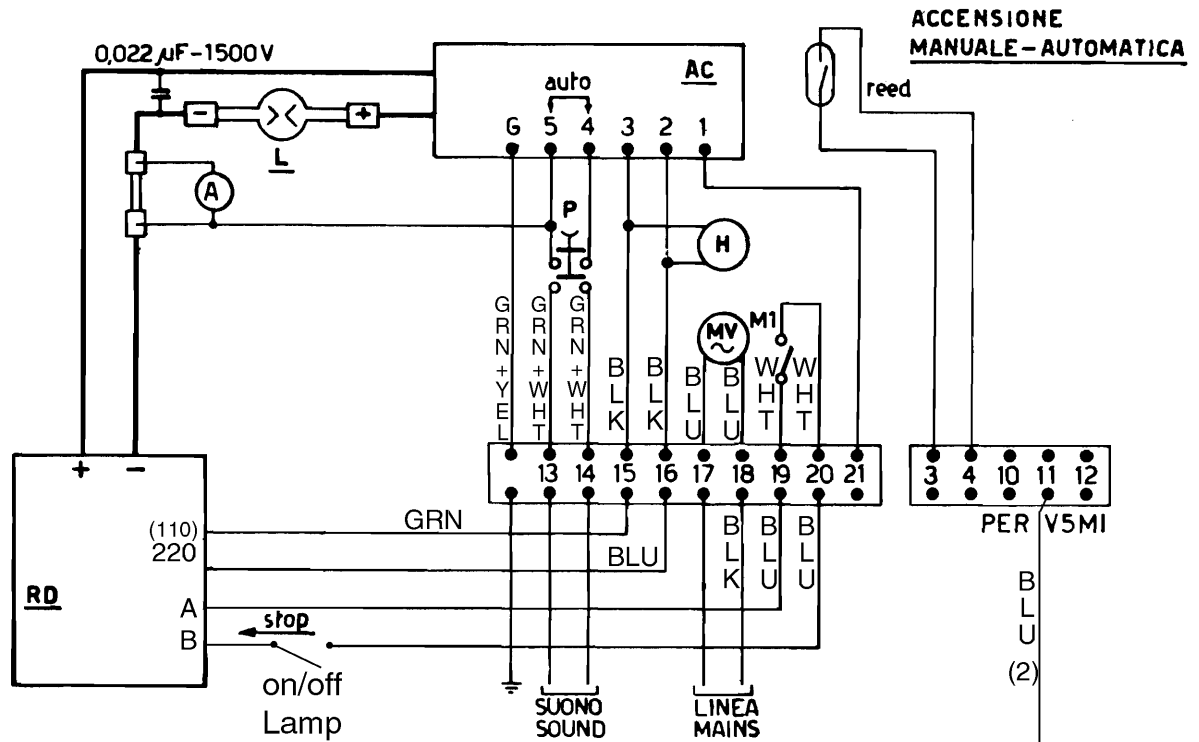
Inclinazione orizzontale  
OM - Inclinaison horizontale  
Horizontal tilting

Peso Kg. 26



**LANTERNA CX 16H & CX 30H - LAMPHOUSE**

**schema elettrico - wiring diagram**

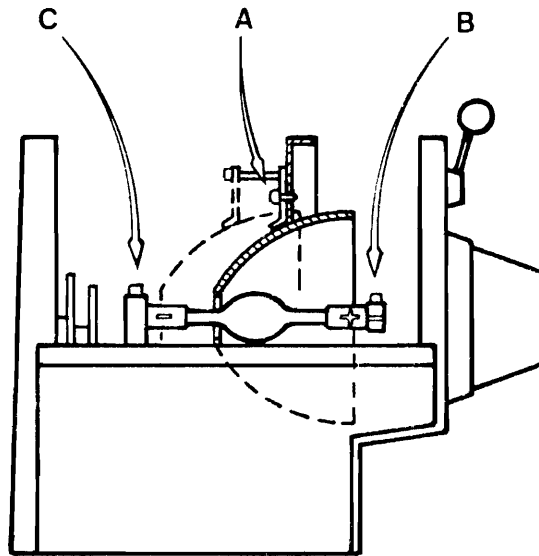


IREM	AC	accenditore	- striking
01169	A	amperometro	- ammeter
00862	H	contaore	- hour meter
XH-1286	L	ampolla	- bulb
01171	MV	motore ventilatore	- fan motor
CX10-186	M1	micro ventilatore	- fan switch



Del 20-2-78

M. che



- 1) Togliere i due pomoli (A) di fissaggio dello specchio e farlo scorrere all'indietro come tratteggiato in figura.
- 2) Allentare le viti (B) del polo positivo dell'ampolla e sfilare il morsetto.
- 3) Allentare le viti (C) del morsetto negativo indi procedere alla sostituzione dell'ampolla.

- 1) Enlever les deux boutons (A) de fixation du miroir et le faire glisser à l'arrière comme montré dans la figure.
- 2) Desserrer les vis (B) du pôle positif de la lampe et ôter la borne.
- 3) Desserrer les vis (C) de la borne négative et procéder ainsi au remplacement de la lampe.

- 1) Take away the two (A) knobs fastening the mirror, and slide it back as in the dotted figure.
- 2) Loosen the (B) screws of the positive bulb pole and slip the clamp off.
- 3) Loosen the (C) screws of the negative clamp and replace the bulb.