

Film-Tech

The information contained in this Adobe Acrobat pdf file is provided at your own risk and good judgment.

These manuals are designed to facilitate the exchange of information related to cinema projection and film handling, with no warranties nor obligations from the authors, for qualified field service engineers.

If you are not a qualified technician, please make no adjustments to anything you may read about in these Adobe manual downloads.

www.film-tech.com



35mm PROJECTOR MECHANISM
Type MSC, SA
Parts Catalog

Rev. 8/98

STRONG INTERNATIONAL

a division of Ballantyne of Omaha, Inc.

4350 McKinley Street

Omaha, Nebraska 68112 USA

Tel 402/453-4444 • Fax 402/453-7238

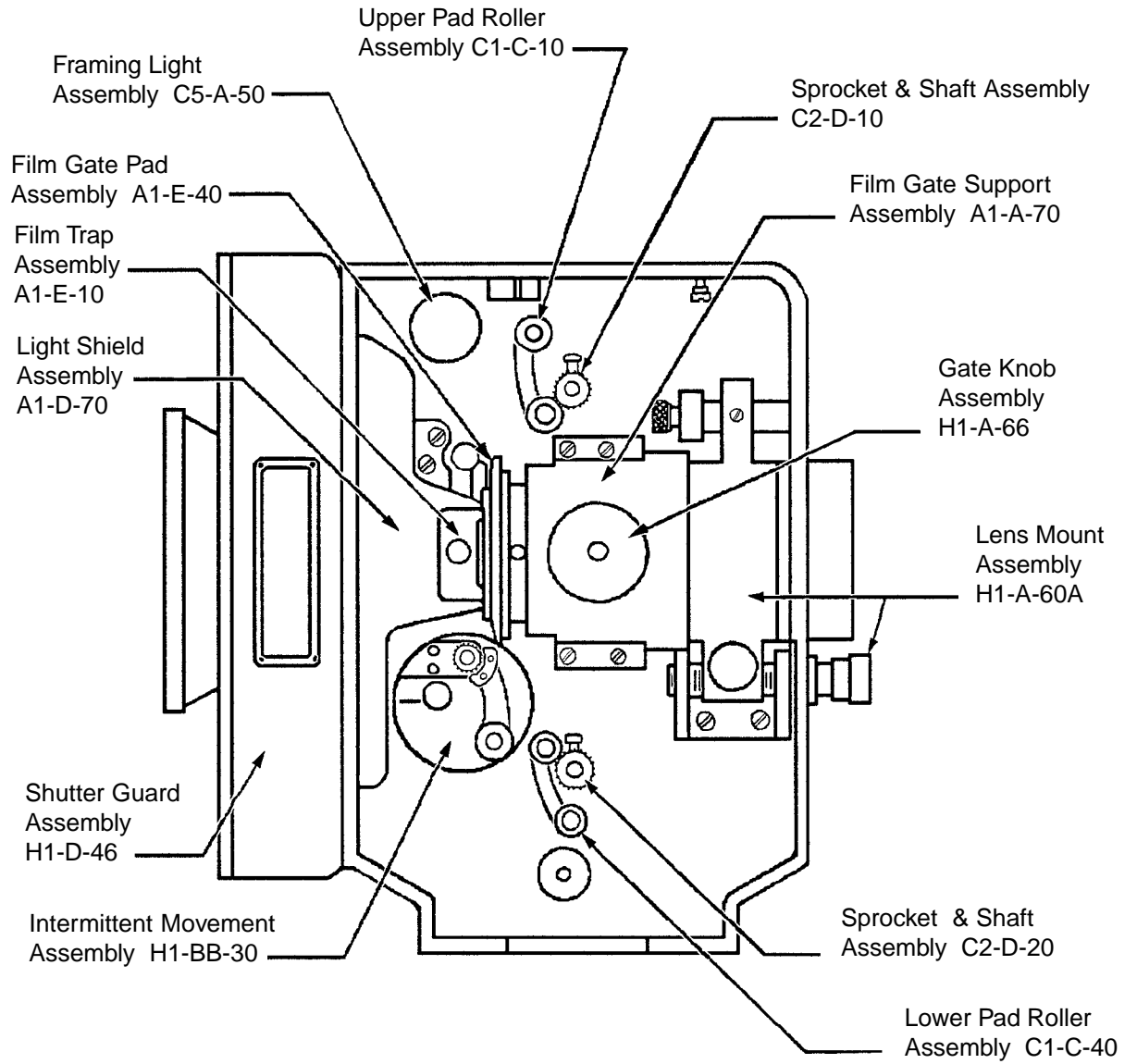
TABLE OF CONTENTS
 Parts Catalog
 Century MSC, SA Projector

		Page
Film Compartment Door Assembly	H1-A-12	6
Gear Compartment Door Assembly	J1-A-13	6
Lens Bushing & Clamping Screw Assembly	C1-T-160X	6
Intermittent Carriage & Shutter Adjustment Assembly	C2-A-31	8
Intermittent Carriage Assembly	C2-A-33	8
Shutter Adjustment Screw & Collar Assembly	V1-A-32	9
Framing Shaft Assembly	C1-A-20	9
Framing Shaft & Pinion Assembly	C1-A-21	9
Intermittent Movement Assembly	H1-BB-30	11
Intermittent Cover Assembly	H1-BB-16	12
Inner Starwheel Bushing Assembly	H1-BB-35	12
Front Starwheel Bearing Bracket Assembly	H1-BB-34	12
Intermittent Case Assembly	H1-BB-17	12
Inner Cam Bushing & O-Ring Assembly	H1-BB-36	13
Intermittent Sprocket Pad & Arm Assembly	C1-BB-26	13
Intermittent Sprocket Pad Assembly	C1-BB-28	13
Intermittent Sprocket Pad, Stud, & Bushing Assembly	C1-BB-29	14
Intermittent Sprocket Pad Stud Assembly	C1-BB-29A	14
Cam Thrust Ball Bearing & Bracket Assembly	H1-BB-31	14
Four-Inch Lens Mount Assembly	H1-A-60A	16
Lens Mount Bracket & Focus Rod Assembly	H1-A-59A	16
Curved Film Gate Assembly	A1-E-40	16
Film Gate Support Tube & Bracket Assembly	A1-A-70	17
Film Gate Lock Knob & Shaft Assembly	H1-A-66	17
Film Trap Assembly	A1-E-10	19
Lateral Guide Roller Assembly	A1-E-12	19
Film Trap Support, Heat Shield & Gib Assembly	A1-E-70	20
Upper Pad Roller Arm Assembly	C1-C-10	20
Upper Pad Roller Arm, Stud, Knob, & Bushing Assembly	C1-C-13	20
Lower Pad Roller Arm Assembly	C1-C-40	21
Lower Pad Roller Arm, Stud, Knob, & Bushing Assembly	C1-C-41	21

TABLE OF CONTENTS (continued)

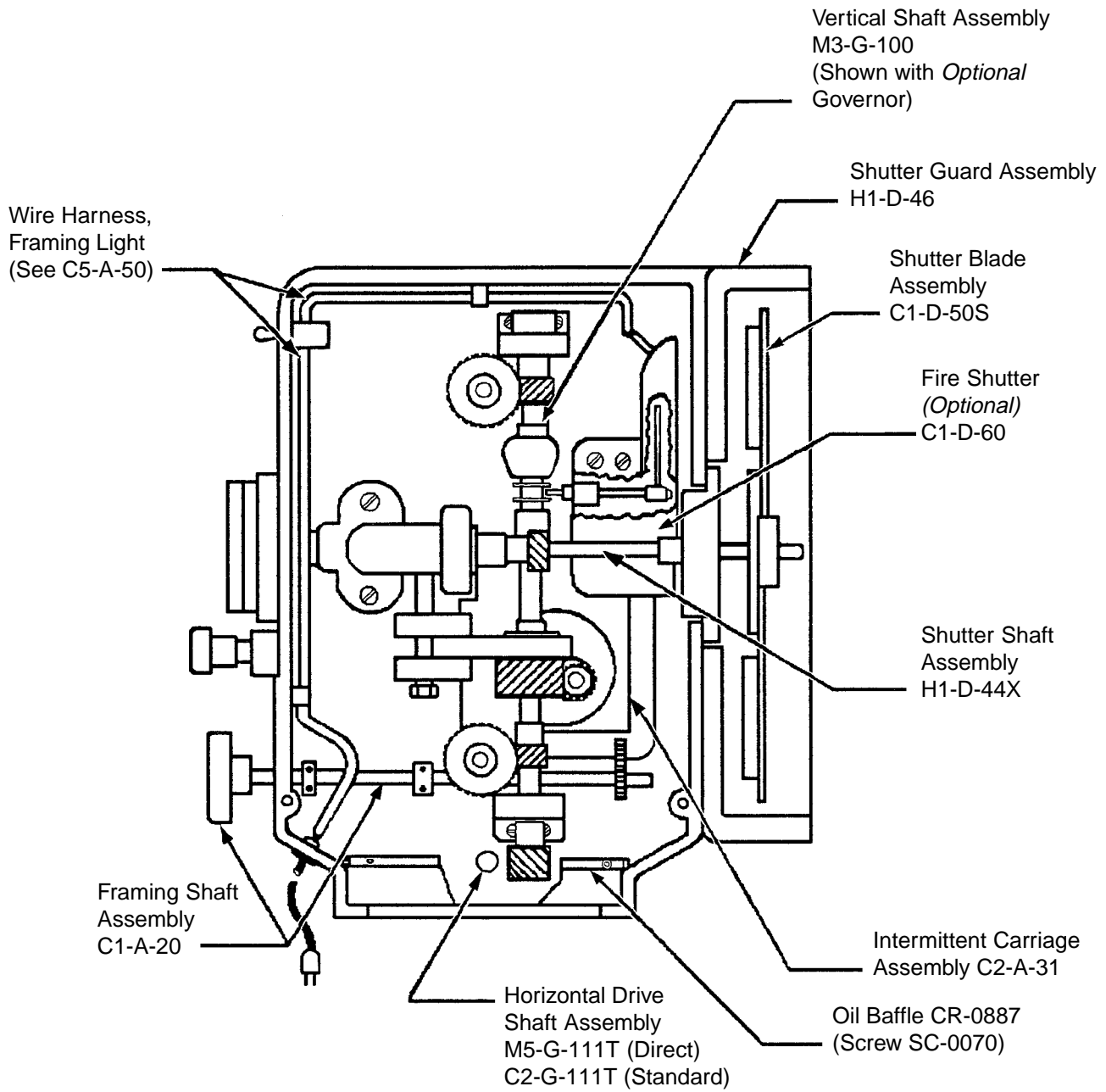
		Page
Single Shutter Shaft, Bracket & Blade Assembly	H4-D-40X	23
Front Shutter Bracket Assembly	C2-D-42	23
Rear Shutter Bracket Assembly	C1-C-45	24
Shutter Guard Assembly	H1-D-46	26
Fixed Shutter Guard Assembly	H1-D-43	26
Light Shield Assembly	A1-D-70	26
Framing Light Assembly	C5-A-50	28
Framing Light Shield Assembly	C3-A-53	28
Framing Light Socket & Wire Assembly	C5-A-54	28
Framing Light Socket Assembly	C3-A-55	28
Automatic Fire Shutter Assembly (Optional)	C1-D-60	29
Upper & Lower Sprocket Shaft Assembly	C2-D-10	29
Vertical Shaft & Governor Assembly	M3-G-100	31
Governor Weight Assembly, Single Shutter	C1-G-22	31
Vertical Shaft, Ball Bearing & Bracket Assembly	C1-G-31	32
Vertical Shaft, Upper Thrust Collar Assembly	C1-G-44	32
Vertical Shaft, Key & Gear Assembly	C3-G-93	32
Vertical Shaft, Bearing & Bracket Assembly	C1-G-95	32
Vertical Shaft Intermittent Drive & Bracket Assembly	C1-G-23	32
Vertical Shaft Intermittent Drive Gear Nut Assembly	C1-G-24	33
Horizontal Drive Shaft Assembly	M5-G-111T	33
Double Shutter Shaft, Bracket, Gear, & Blade Assembly	J4-D-50	34
Double Shutter, Inner Blade & Hub Assembly	J8-D-51	34
Double Shutter, Inner Shutter Hub Assembly	C2-D-56	34
Double Shutter & Vane Blades, Inner	C2-D-56	34
Double Shutter, Blade & Hub Assembly	J8-D-52	35
Single & (Outer) Double Hub Assembly	C2-D-49	35
Double Shutter Intermediate Bracket, Gears, & Bearing Ass'y.	C2-D-55A	36
Direct Double Shutter Bracket & Ball Bearing Assembly	C2-D-55B	36
Gear & Ball Bearing Assembly, Double Shutter	C2-D-53A	36
Film Trap Support, Water Cooled	A2-E-70	37
Picture Changeover Device		39

MAJOR ASSEMBLIES



OPERATING SIDE

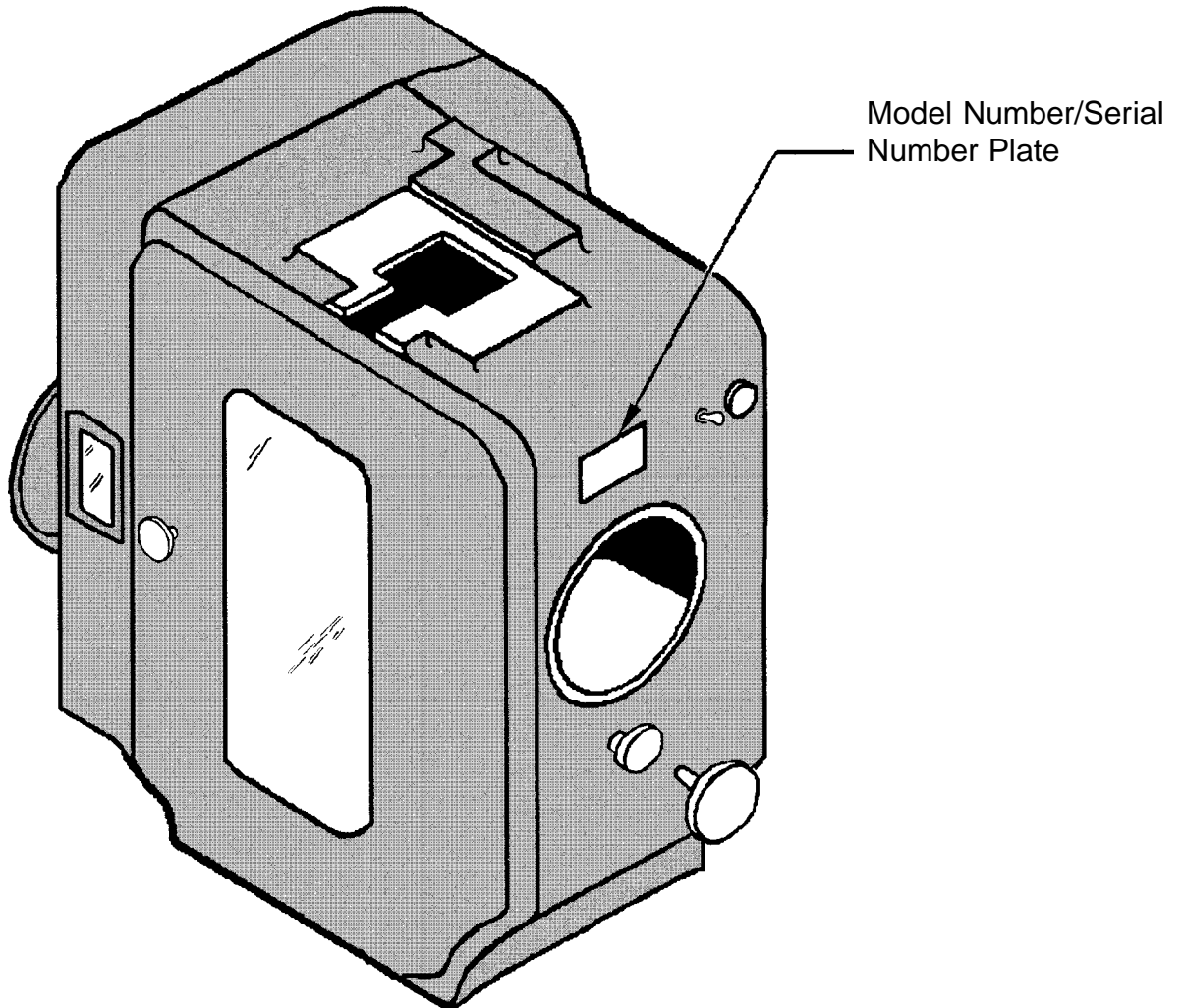
MAJOR ASSEMBLIES



NOTE: See Soundhead Book for Drive Belts & Pulleys

DRIVE SIDE

When ordering parts, include:
MODEL NUMBER
SERIAL NUMBER
PART NUMBER



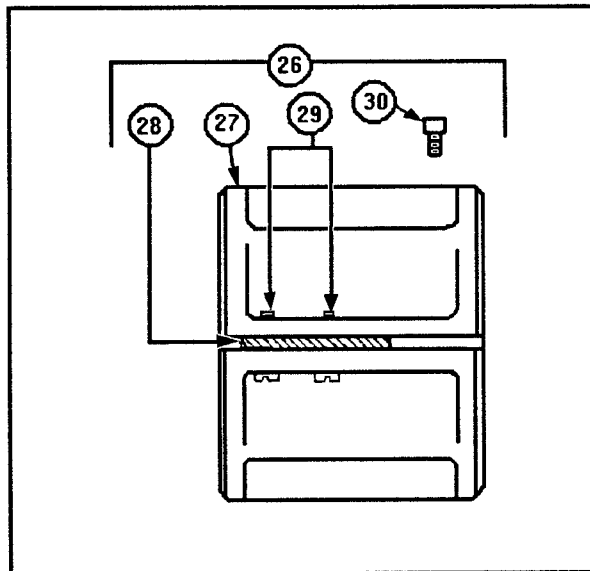
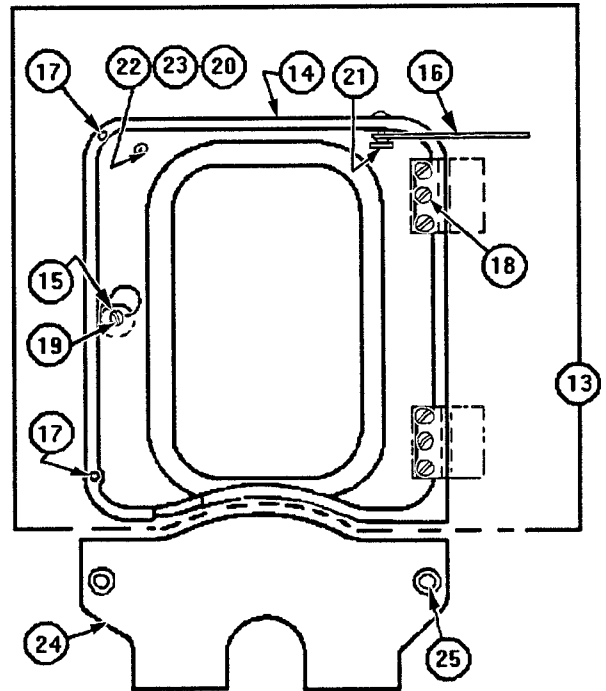
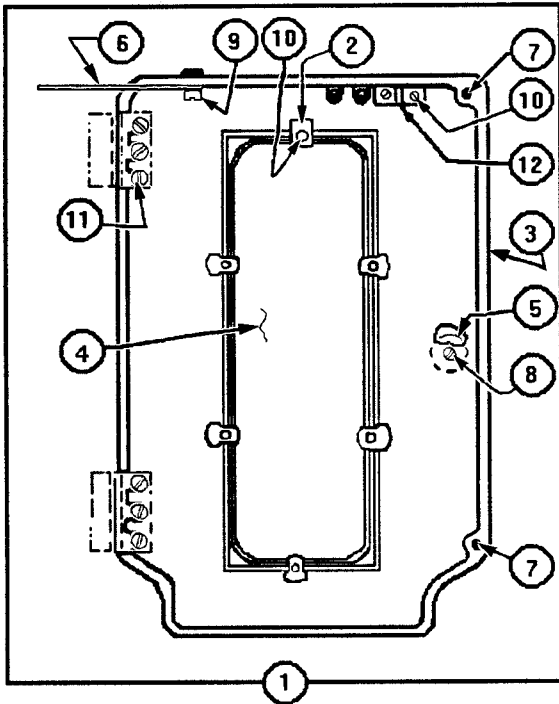
Century Replacement Parts are sold through authorized
Strong International Dealers *only*.

MAIN FRAME & PIN ASSEMBLY (82-60051)

<u>Part No.</u>	<u>Description</u>
H1-A-80	Main Frame & Pin Assembly
A1-D-80	Douser Guide Assembly
BU-0029-D	Sprocket Shaft Bearing Bushing (4 req'd.)
C1-A-11	Door Hinge (4 req'd.)
CR-0598	Lower Drive Side Cover
CR-0887	Grease Baffle Cover
CU-0022	Sprocket Shaft Oil Cup (2 req'd.)
FR-0070	Main Frame Casting
J1-A-14	Quarter-Turn Door Lock
PE-0039	Nameplate
PN-0021	Shutter Bracket Locating Pin (2 req'd.)
PN-0028	Locating Pin, Trap Support & Shutter Bracket (3 req'd.)
PN-0247	Carriage Stop Pin (2 req'd.)
SC-0113	Screw (2 req'd.)
RT-0002	Main Drive Retainer
41-51061	Cover Fastener Screw (2 req'd.)
SC-0125	Nameplate Screw (2 req'd.)
41-51061	Bearing Retaining Screw, Horizontal Drive (2 req'd.)
41-51521	Lens Mount Screw (2 req'd.)
SC-0226	Screw, Door Link
41-51033	Door Catch Mounting Screw, 6-32 x 1/4" (2 req'd.)
SC-0661	Hinge Mounting Screw, 8-32 x 5/16" (4 req'd.)
3041	Changeover Mounting Screw, 10-32 x 3/8" (2 req'd.)
SC-0886	Socket Screw, 3/8-16 x 1" (4 req'd.)
41-51604	Horizontal Drive Retainer Set Screw, 1/4-20 x 1/4"
3052	Pad Roller Arm Retaining Screw, 1/4-20 x 3/8" (2 req'd.)
SC-1374	Front Grease Plug Screw
SC-1874	Set Screw, 1/2-13 x 3/8"
SC-2425	Set Screw, 3/8-16 x 1/2"
SC-2510	Side Cover Screw (2 req'd.)
SD-1130	Heat Shield
DC-0096	Decal, Main Drive Installation
J1-A-14	Receptacle, Quarter-Turn Fastener

Associated Parts

OL-0001	Century Projector Oil (Gallon)
OL-0004	Century Projector Oil, 4 oz.
TU-0380	Century Gear Lubricant



FILM COMPARTMENT DOOR ASSEMBLY (82-60052)

<u>Item</u>	<u>Part No.</u>	<u>Description</u>
1	H1-A-12	Film Compartment Door Assembly
2	CP-0020	Clamp, Door Glass (6 req'd.)
3	DO-0015	Casting, Film Compartment Door
4	GL-0015	Door Glass
5	KN-0047	Door Knob
6	LI-0007	Link, Open Limit
7	SB-0060	Door Stop, Felt (2 req'd.)
8	41-51073	Knob Mounting Screw, 8-32 x 1/2" Bind Head
9	SC-0226	Link Mounting Screw
10	SC-0123	Mounting Screw, Glass Clamp & Door Strike
11	41-51061	Hinge Mounting Screw, 8-32 x 1/4" (6 req'd.)
12	C1-A-76	Catch & Strike, Door

GEAR COMPARTMENT DOOR ASSEMBLY (82-60053)

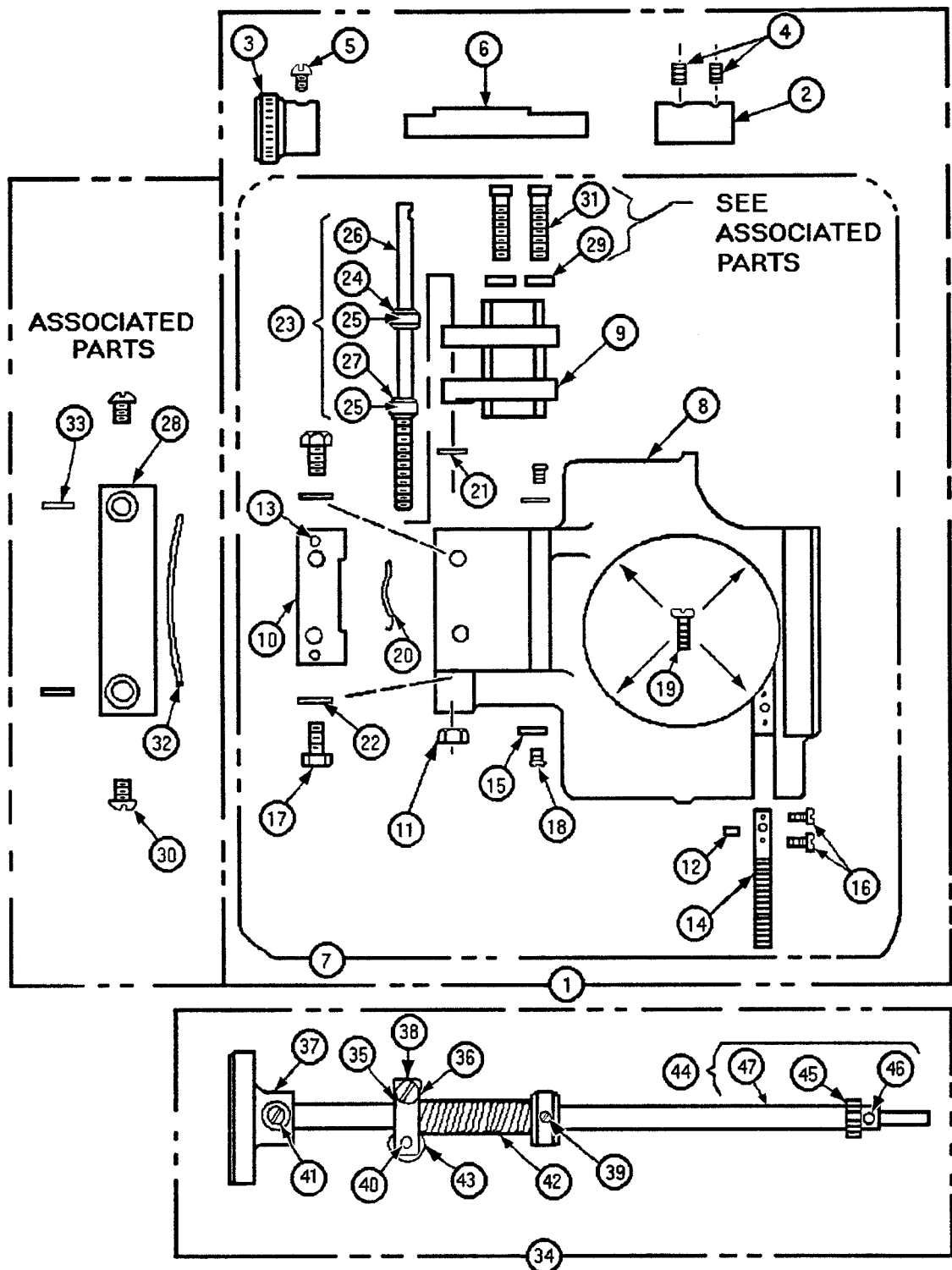
<u>Item</u>	<u>Part No.</u>	<u>Description</u>
13	J1-A-13	Gear Compartment Door Assembly
14	DO-0072	Door Casting
15	KN-0047	Pull Knob
16	LI-0007	Door Link
17	SB-0060	Felt Bumper (2 req'd.)
18	41-51061	Hinge Screw, 8-32 x 1/4" Bind Head (6 req'd.)
19	ST-2465	Door Fastening Stud, Quarter-Turn
20	SC-0226	Link Screw
21	41-51073	Knob Screw, 8-32 x 1/2" Bind Head
22	RI-0624	Retaining Ring
23	SG-2464	Door Fastening Spring

Associated Parts

24	CR-0598	Cover, Operating Side
25	SC-0113	Cover Mounting Screw (2 req'd.)

LENS BUSHING & CLAMPING SCREW ASSEMBLY (82-60026)

<u>Item</u>	<u>Part No.</u>	<u>Description</u>
26	C1-T-160X	Lens Bushing & Clamping Screw Assembly
27	BU-0193X	Casting, Lens Bushing
28	PE-1040	Bushing Plate, Rubber
29	SC-0574	Clamping Screw (2 req'd.)
30	SC-2238X	Locating Screw



INTERMITTENT CARRIAGE & SHORT SHUTTER ADJUSTMENT ASSEMBLY
(82-60104)

<u>Item</u>	<u>Part No.</u>	<u>Description</u>
1	C2-A-31	Intermittent Carriage & Shutter Adjustment Assembly
	C2-A-33	Carriage Assembly
2	CG-0014	Coupling
3	KN-0043	Knob
4	2966	Coupler Set Screw, 10-32 x 1/8"
5	00254000	Knob Screw, 8-32 x 1/4" Fillister Head
6	ST-2378	Shutter Adjusting Shaft

INTERMITTENT CARRIAGE ASSEMBLY (82-60105)

<u>Item</u>	<u>Part No.</u>	<u>Description</u>
7	C2-A-33	Intermittent Carriage Assembly
	V1-A-32	Shutter Adjustment Screw
8	CA-0004	Carriage Casting
9	BR-0012	Bracket Casting
10	GI-0006	Gib Casting
11	NU-0070	Adjustment Nut
12	PN-0022	Rack Pin
13	PN-0811	Gib Pin (2 req'd.)
14	RK-0004	Framing Rack (Order 81-98152)
15	RT-0003	Spring Retainer (2 req'd.)
16	SC-0075	Rack Screw (2 req'd.)
17	00687000	Gib Screw, 1/4-20 x 1/2" Hex Head (2 req'd.)
18	41-51028	Spring Screw, 6-32 x 1/4" Pan Head (2 req'd.)
19	SC-0106	Intermittent Retaining Screw (4 req'd.)
20	SG-0100	Spring
21	WA-0011	Washer
22	WA-0132	Lockwasher

NOTE: Shutter Fine Adjustment (Items 1-6, Item 23 & Associated Parts) discontinued in 1993.

SHUTTER ADJUSTMENT SCREW & COLLAR ASSEMBLY (82-20357)

<u>Item</u>	<u>Part No.</u>	<u>Description</u>
23	V1-A-32	Screw & Collar Assembly
24*	CL-0007	Collar
25*	PN-0103	Pin (3 req'd.)
26*	SC-0061	Screw
27*	CL-0195	Collar

* Order V1-A-32

Associated Parts

28	GI-0001	Intermittent Carriage Gib
29	SA-0752	Bracket Screw Spacer (2 req'd.)
30	SC-0071	Gib Screw (2 req'd.)
31	SC-0751	Bracket Screw (2 req'd.)
32	SG-0928	Spring
33	WA-0132	Lockwasher

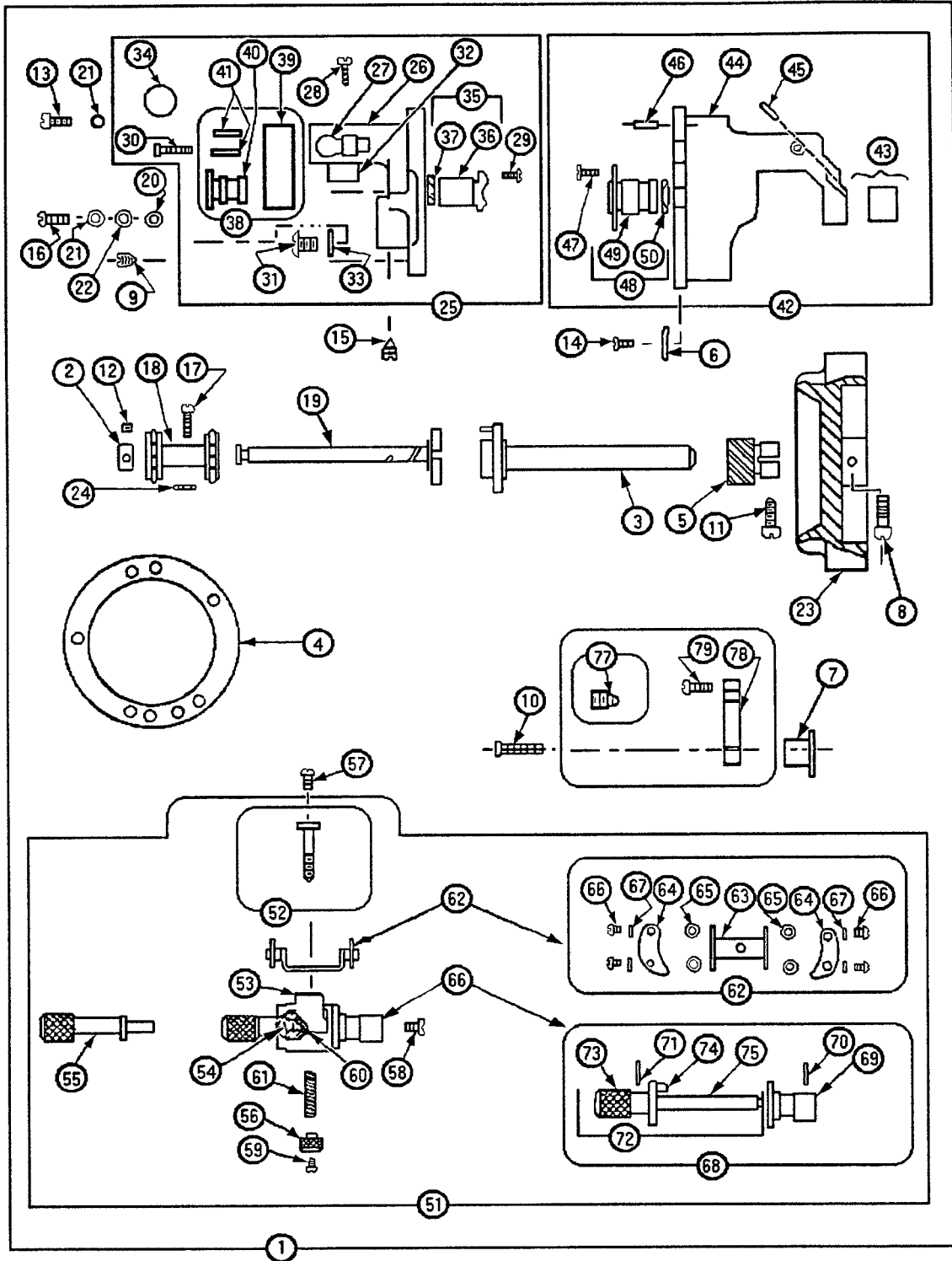
FRAMING SHAFT ASSEMBLY (82-60095)

<u>Item</u>	<u>Part No.</u>	<u>Description</u>
34	C1-A-20	Framing Shaft Assembly
	C1-A-21	Shaft & Pinion Assembly
35	CL-0012	Collar
36	CP-0001	Clamp (2 req'd.)
37	KN-0044	Framing Knob
38	41-51107	Screw, 10-32 x 7/8" Fillister Head
39	SC-0074	Set Screw, 1/4-20 x 1/4"
40	SC-0132	Screw, 10-32 x 1-1/8" Fillister Head
41	41-51365	Set Screw, 10-32 x 3/8"
42	SG-0041	Spring
43	WA-0011	Washer

FRAMING SHAFT & PINION ASSEMBLY (82-20055)

<u>Item</u>	<u>Part No.</u>	<u>Description</u>
44	C1-A-21	Shaft & Pinion Assembly
45	PI-0004*	Pinion
46	PN-0029*	Pin
47	ST-0001*	Framing Shaft

* Order C1-A-21; Sold as Assembly *only*



INTERMITTENT MOVEMENT ASSEMBLY (82-60006)

<u>Item</u>	<u>Part No.</u>	<u>Description</u>
1	H1-BB-30C	Intermittent Movement Assembly, 35mm
	H1-BB-16*	Intermittent Cover Assembly
	H1-BB-17*	Intermittent Case Assembly
	H1-BB-26*	Sprocket Pad Assembly
	H1-BB-31*	Cam Thrust Assembly
2	CL-0624	Outboard Collar, Starwheel Shaft
3	CM-0528	Camshaft **
4	GA-0181	Gasket
5	GR-0007	Camshaft Gear
6	PE-0038	Intermittent Stop Plate
7	SA-1321	Cam Thrust Spacer
8	41-51201	Flywheel Screw, 8-32 x 3/4" Socket Head
9	SC-0039	Adjusting Screw (2 req'd.)
10	SC-0069	Cam Thrust Screw
11	00259000	Gear Screw, 8-32 x 5/8" Fillister Head
12	SC-0579	Collar Screw (2 req'd.)
13	SC-1047	Cover Screw (4 req'd.)
14	SC-0134	Stop Plate Screw, 6-32 x 3/8" Hex Head
15	SC-0155	Pad Retaining Set Screw, 1/4-20 x 3/8" Cone Point
16	SC-1010	Oil Drain Screw, 8-32 x 1/2" Fillister Head
17	SC-1322	Sprocket Screw, 5-40 x .55"
18	SK-2205	Intermittent Sprocket, 35mm VKF®
19	SX-1323	Starwheel Shaft **
20	WA-0012	Drain Seal Washer
21	41-70002	Cover Washer (5 req'd.)
22	WA-0126	Steel Washer
23	WH-0124	Flywheel
24	NU-0081	Lock Nut

* Not Sold as Assembly - Replace Individual Components

** Replace Starwheel & Camshaft in *matched pairs*

Factory Rebuilt Intermittent Movements are available under a Repair/Exchange program. Contact an authorized Strong International Equipment Dealer for detailed information and a **Return Authorization**. Strong International assumes *no liability* for goods returned to the factory without prior authorization.

INTERMITTENT COVER ASSEMBLY (H1-BB-16*)

<u>Item</u>	<u>Part No.</u>	<u>Description</u>
25	H1-BB-16*	Intermittent Cover Assembly
	H1-BB-35	Inner Star Bushing & Ring
	H1-BB-34*	Front Starwheel Bearing Bracket
26	CR-0297	Cover (Order H1-BB-16)
27	CU-0658	Oil Cup
28	SC-0094	Stripper Screw, 6-32 x 1/8" Bind Head
29	SC-0105	Inner Bushing Screw, 4-40 x 1/4" (3 req'd.)
30	41-51195	Outer Bracket Screw, 6-32 x 1/2" Socket Head (2 req'd.)
31	SC-0217	Plug Screw
32	SP-1326	Film Stripper
33	WA-0028	Plug Screw Washer
34	GG-0019	Sight Glass
35	GA-0020	Sight Glass Gasket
36	NU-0010	Nut

INNER STAR BUSHING ASSEMBLY (82-60230)

<u>Item</u>	<u>Part No.</u>	<u>Description</u>
37	H1-BB-35	Inner Star Bushing
38	BU-1256	Bushing (Order H1-BB-35)
39	RI-0576	Seal Ring

FRONT STARWHEEL BEARING BRACKET ASSEMBLY (H1-BB-34*)

<u>Item</u>	<u>Part No.</u>	<u>Description</u>
40	H1-BB-34*	Bearing Bracket Assembly
41	BR-0644	Outer Bracket
42	BU-0646N	Outer Bushing
42	PN-0665	Pin (Order H1-BB-34), 2 req'd.

INTERMITTENT CASE ASSEMBLY (H1-BB-17*)

<u>Item</u>	<u>Part No.</u>	<u>Description</u>
44	H1-BB-17*	Case Assembly
	H1-BB-36	Inner Cam Bushing & Ring
45	BU-0040-N	Outer Bushing
46	CS-0529	Case (Order H1-BB-17)
47	PG-0159	Felt Plug
48	PN-0032	Pivot Pin
49	41-51016	Cam Screw, 4-40 x 1/4" Bind Head

* Not Sold as Assembly - Replace Individual Components

INNER CAM BUSHING & O-RING ASSEMBLY (H1-BB-36)

<u>Item</u>	<u>Part No.</u>	<u>Description</u>
50	H1-BB-36	Bushing & Ring Assembly
51	BU-1257	Bushing (Order H1-BB-36)
52	RI-0577	Seal Ring

INTERMITTENT SPROCKET PAD & ARM ASSEMBLY (82-60004)

<u>Item</u>	<u>Part No.</u>	<u>Description</u>
53	C1-BB-26	Sprocket Pad & Arm Assembly
54	C1-BB-27	Stud & Plate Assembly
	C1-BB-28	Sprocket Pad
	C1-BB-29	Pad Stud
55	AR-0046	Arm Casting
56	BL-0018	Detent Ball (2 req'd.)
57	KN-0030	Knob
58	NU-0046	Knurled Nut
59	41-51032	Pad Screw, 6-32 x 1/4" Bind Head
60	41-51061	Knob Screw, 8-32 x 1/4" Bind Head
61	SC-0708	Nut Stop Screw, 3-48 x 1/8" Round Head
62	SG-0021	Ball Spring
63	SG-2511	Compression Spring

INTERMITTENT PAD SPRING STUD & PLATE ASSEMBLY (82-60054)

<u>Item</u>	<u>Part No.</u>	<u>Description</u>
54	C1-BB-27	Stud & Plate Assembly
	PE-0192	Plate (Order C1-BB-27)
	SU-0702	Stud (Order C1-BB-27)

INTERMITTENT SPROCKET PAD ASSEMBLY (82-60005)

<u>Item</u>	<u>Part No.</u>	<u>Description</u>
64	C1-BB-28	Sprocket Pad Assembly
65	PA-0194	Inner Sprocket Pad
66	PA-0195	Outer Sprocket Pad (2 req'd.)
67	SA-0033	Spacer (4 req'd.)
68	41-51457	Screw, 4-40 x 5/16" Bind Head (4 req'd.)
69	41-70033	Washer, #4 (4 req'd.)

INTERMITTENT SPROCKET PAD, STUD & BUSHING ASSEMBLY (82-20058)

<u>Item</u>	<u>Part No.</u>	<u>Description</u>
70	C1-BB-29	Stud & Bushing Assembly
	C1-BB-29A	Pad Stud (Order C1-BB-29)
71	BU-0027	Bushing (Order C1-BB-29)
72	PN-0025	Pin
73	PN-0068	Lock Pin

INTERMITTENT SPROCKET PAD STUD ASSEMBLY (82-20254)

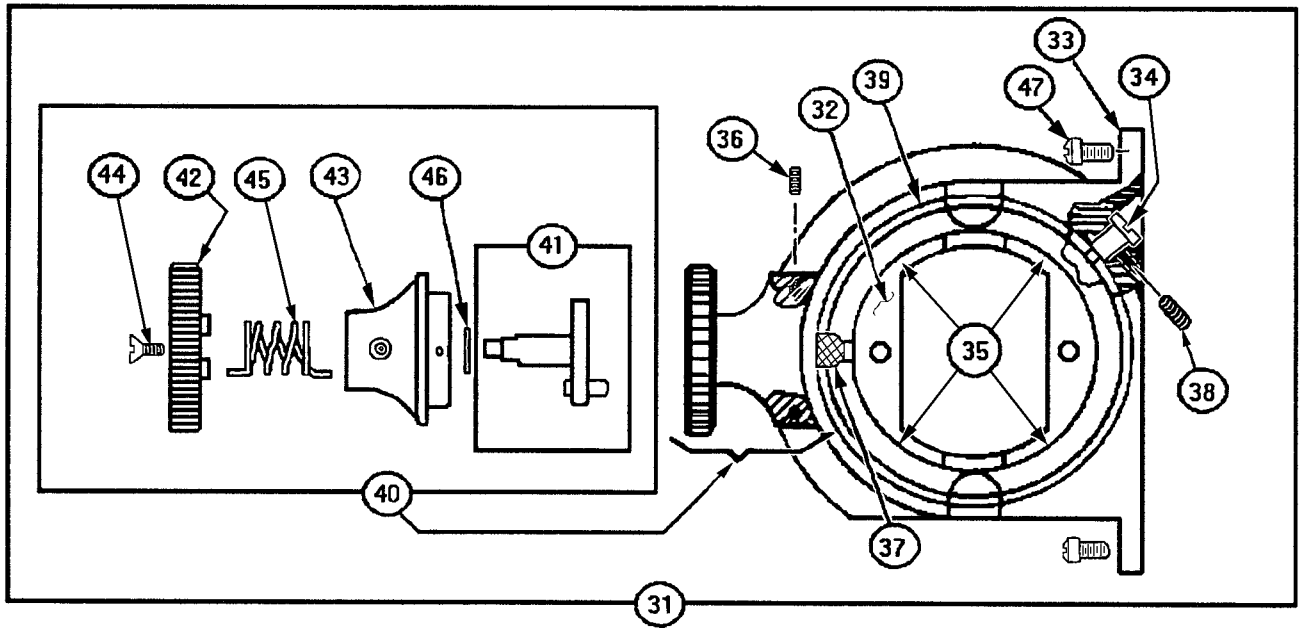
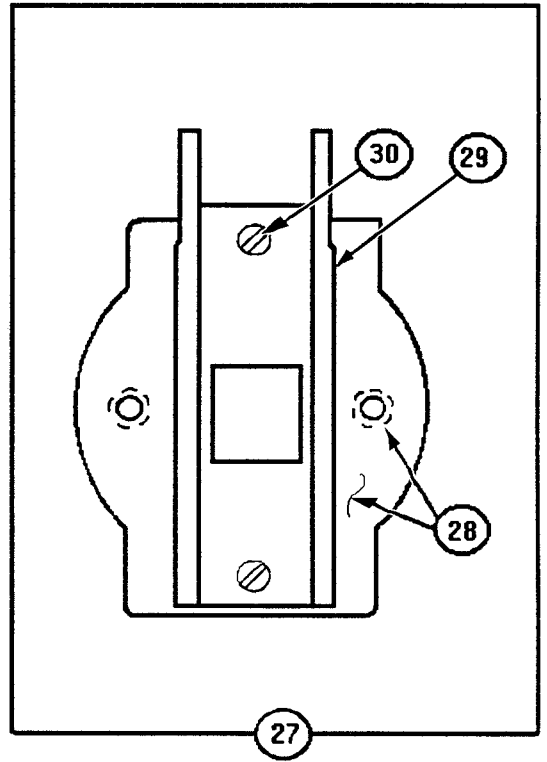
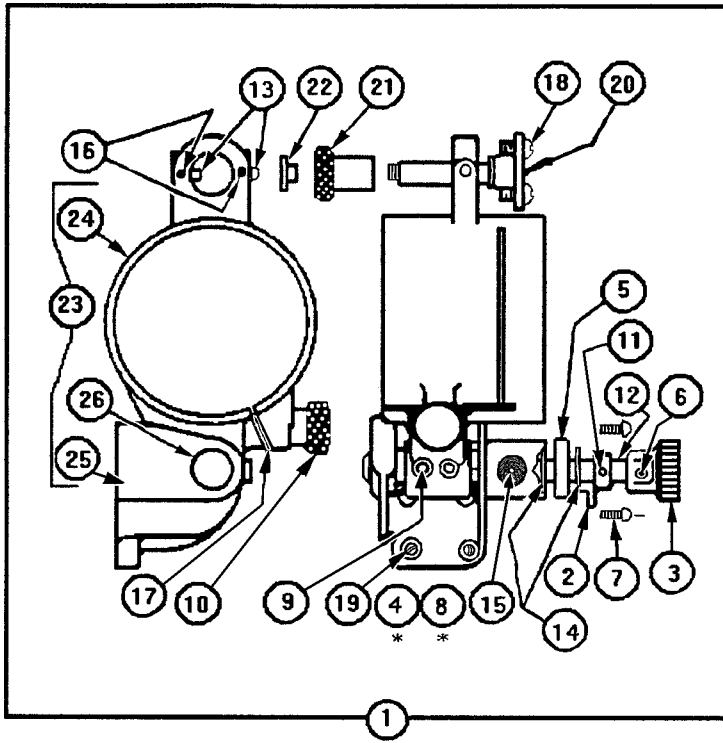
<u>Item</u>	<u>Part No.</u>	<u>Description</u>
74	C1-BB-29A*	Sprocket Pad Stud Assembly
75	KN-0024	Knob
76	PN-0036	Pin
77	SU-0004	Stud

* Sold as Assembly *only*

CAM THRUST BEARING & BRACKET ASSEMBLY (H1-BB-31*)

<u>Item</u>	<u>Part No.</u>	<u>Description</u>
78	H1-BB-31*	Bearing & Bracket Assembly
79	C1-BB-11	Ball Bearing Assembly
80	BR-0643	Bracket
81	SC-0085	Thrust Screw

* Not Sold as Assembly - Order Individual Components



FOUR-INCH LENS MOUNT ASSEMBLY (82-60113)

<u>Item</u>	<u>Part No.</u>	<u>Description</u>
1	H1-A-60A	Four-Inch Lens Mount Assembly
	H1-A-59A	Lens Mount Bracket & Focus Rod Assembly
2	CL-0554	Focus Collar
3	KN-0045	Focus Knob
4	PG-0301	Focus Screw Plug
5	SA-1226	Focus Spacer
6	SC-0072	Focus Knob Retaining Screw
7	41-51314	Retaining Screw, 6-32 x 3/8" Fillister Head (3 req'd.)
8	SC-0678	Screw
9	SC-0501	Screw (2 req'd.)
10	SC-1229	Lens Clamp Screw
11	SC-1236	Screw
12	SC-1362	Focus Screw
13	SC-1231	Lens Clamp Screw (2 req'd.)
14	WA-0163	Focus Washer (2 req'd.)
15	SG-0999	Focus Spring
16	SC-0579	Lens Clamp Screw (2 req'd.)
17	WA-0203	Lens Clamp Washer

Associated Parts

18	SC-0088	Lens Clamp Screw (3 req'd.)
19	SC-0137	Lens Mount Screw (4 req'd.)
20	SU-1673	Lens Clamp Stud
21	BU-0795	Eccentric Bushing, Lens Mount
22	NU-0079	Nut, Bushing

LENS MOUNT BRACKET & FOCUS ROD ASSEMBLY (H1-A-59A)

<u>Item</u>	<u>Part No.</u>	<u>Description</u>
23	H1-A-59A	Lens Mount Bracket & Focus Rod Assembly
24	BR-0601X*	Bracket
25	BR-0663*	Support Bracket
26	RD-0150*	Focus Rod

* Order H1-A-59A; Sold as Assembly *only*

PRESSURE PAD & PLATE ASSEMBLY, CURVED (82-60049)

<u>Item</u>	<u>Part No.</u>	<u>Description</u>
27	A1-E-40	Pressure Pad & Plate
28	A1-E-41	Plate & Studs
29	PA-0853	Pressure Pad Runner, Curved
30	41-51034	Mounting Screw, 6-32 x 1/4" Flat Head (2 req'd.)

FILM GATE SUPPORT TUBE & BRACKET ASSEMBLY (82-60018)

<u>Item</u>	<u>Part No.</u>	<u>Description</u>
31	A1-A-70	Film Gate Support Tube & Bracket Assembly
	H1-A-66	Gate Knob Assembly
32	AD-0097*	Film Gate Adapter
33	BR-0913*	Gate Support Bracket
34	EC-0001	Gate Alignment Eccentric
35	SC-2453	Gate Adapter Screw (4 req'd.)
36	41-51527	Knob Retaining Screw, 8-32 x 1/4" Cone Point
37	SC-0144	Thumb Screw, Gate Retaining
38	00713000	Eccentric Lock Screw, 8-32 x 5/16"
39	TU-0172*	Gate Support Tube

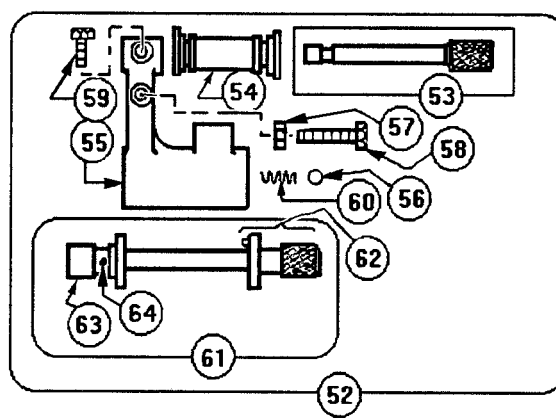
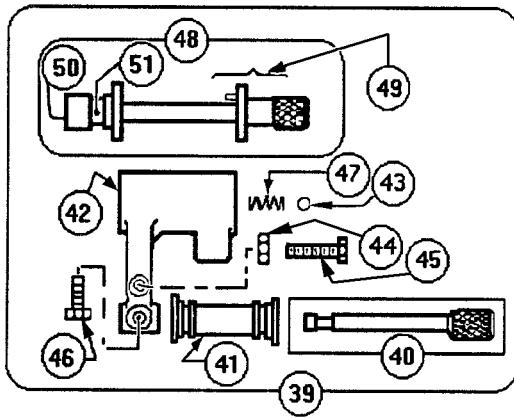
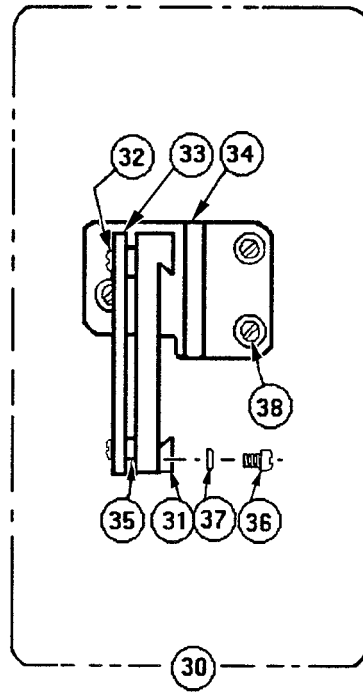
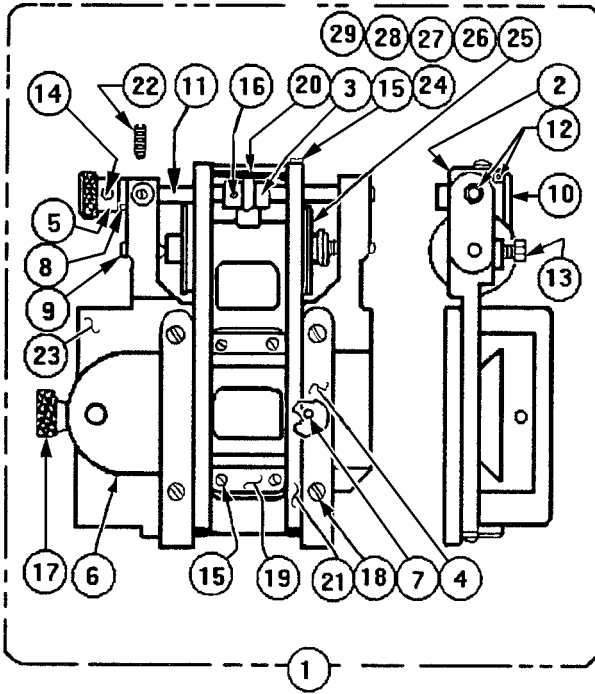
* Recommend replacing as *Matched Set*

FILM GATE LOCK KNOB & SHAFT ASSEMBLY (82-60035)

<u>Item</u>	<u>Part No.</u>	<u>Description</u>
40	H1-A-66	Film Gate Lock Knob & Shaft Assembly
41	C1-A-67	Lock Shaft & Pin Assembly (82-60022)
42	KN-0027	Knob
43	LO-0045	Lock
44	00354000	Screw, 8-32 x 1/4" Fillister Head
45	SG-0014	Helical Spring, Gate Knob
46	WA-0135	Gate Knob Washer

Associated Parts

47	01432000	Bracket Mounting Screw, 1/4-20 x 1/2" (4 req'd.)
----	----------	--



FILM TRAP ASSEMBLY (82-60047)

<u>Item</u>	<u>Part No.</u>	<u>Description</u>
1	A1-E-10	Film Trap Assembly, 35mm
	A1-E-12	Lateral Guide Roller Assembly
2	A1-E-13	Spring Retaining Block & Pin Assembly
3	CM-0685	Shoe Tension Cam
4	GU-0016	Studio Guide (2 req'd.)
5	KN-0070	Adjusting Knob, Shoe Tension
6	PE-0518-E4	Aperture Plate, 1.85:1 Standard
6	PE-0518-E8	Aperture Plate, 1.85:1 Undersize
6	PE-0518-E15	Aperture Plate, 2:1 Undersize
7	PN-0519	Aperture Stop Pin
8	PN-0824	Shoe Tension Stop Pin
9	PT-0033	Lateral Guide Roller Pivot (2 req'd.)
10	RD-0281	Rod, Spring Shoe Block
11	RD-0282	Eccentric Cam Rod
12	P-4089	Retaining Ring, Cam Rod (3 req'd.)
13	SC-0134	Pivot Retaining Screw (2 req'd.)
14	P-1971	Knob Set Screw
15	41-51271	Screw, Strap & Spring (8 req'd.), 2-56 x 1/8"
16	P-1971	Cam Set Screw
17	SC-1800	Thumb Screw, Film Trap Retaining
18	SC-0128	Mounting Screw, Studio Guide (4 req'd.)
19	SG-1484	Aperture Plate Spring (2 req'd.)
20	SG-1802	Cam Spring
21	SH-1811	Trap Shoe (Film Strap), 2 req'd.*
22	SC-2431	Spring Shoe Tension Screw
23	TP-0171	Casting, Film Trap
24	WA-0245	Washer, Trap Shoe (2 req'd.)

* Replace in *matched pairs*

LATERAL GUIDE ROLLER ASSEMBLY (A1-E-12)

<u>Item</u>	<u>Part No.</u>	<u>Description</u>
25	A1-E-12	Lateral Guide Roller Assembly
26	RO-0283	Inner Roller
27	RO-0284	Outer Roller
28	SG-0124	Compression Spring
29	2933	Retaining Ring, for .250" O.D.

FILM TRAP SUPPORT GIB & HEAT SHIELD ASSEMBLY (82-60092)

<u>Item</u>	<u>Part No.</u>	<u>Description</u>
30	A1-E-70	Support Gib & Heat Shield Assembly
31	GI-0255	Gib Casting
32	SC-1842	Heat Shield Screw, 5-40 x 5/16" Bind Head (4 req'd.)
33	SD-1808	Heat Shield
34	SO-1804	Trap Support
35	SA-1942	Heat Shield Spacer (4 req'd.)
36	41-51016	Support Screw, 4-40 x 1/4" Bind Head (3 req'd.)
37	WA-0088	Washer (3 req'd.)

Associated Parts

38	SC-0137	Trap Support Mounting Screw, 1/4-20 x 1/2" (3 req'd.)
----	---------	---

See Page 37 for Water Cooled Trap Support.

UPPER PAD ROLLER ARM ASSEMBLY (82-60096)

<u>Item</u>	<u>Part No.</u>	<u>Description</u>
39	C1-C-10	Upper Pad Roller Arm Assembly
	C1-C-13	Pad Roller Stud
40	C1-C-21	Pad Roller Shaft & Knob
41	AR-0001	Arm Casting
42	2908	Detent Ball (2 req'd.)
43	NU-0008	Lock Nut
44	R3-400	Roller
45	SC-0087	Pad Roller Adjust Screw, 8-32 x 7/8" Hex Head
46	41-51416	Pad Roller Shaft Screw, 6-32 x 3/8" Hex Head
47	SG-0021	Spring

UPPER PAD ROLLER ARM STUD, KNOB, & BUSHING ASSEMBLY (82-20304)

<u>Item</u>	<u>Part No.</u>	<u>Description</u>
48	C1-C-13	Stud, Knob, & Bushing Assembly
49	C1-C-11*	Stud & Knob
50	BU-0027*	Bushing
51	PN-0025*	Pin

* Order C1-C-13; Sold as Assembly *only*

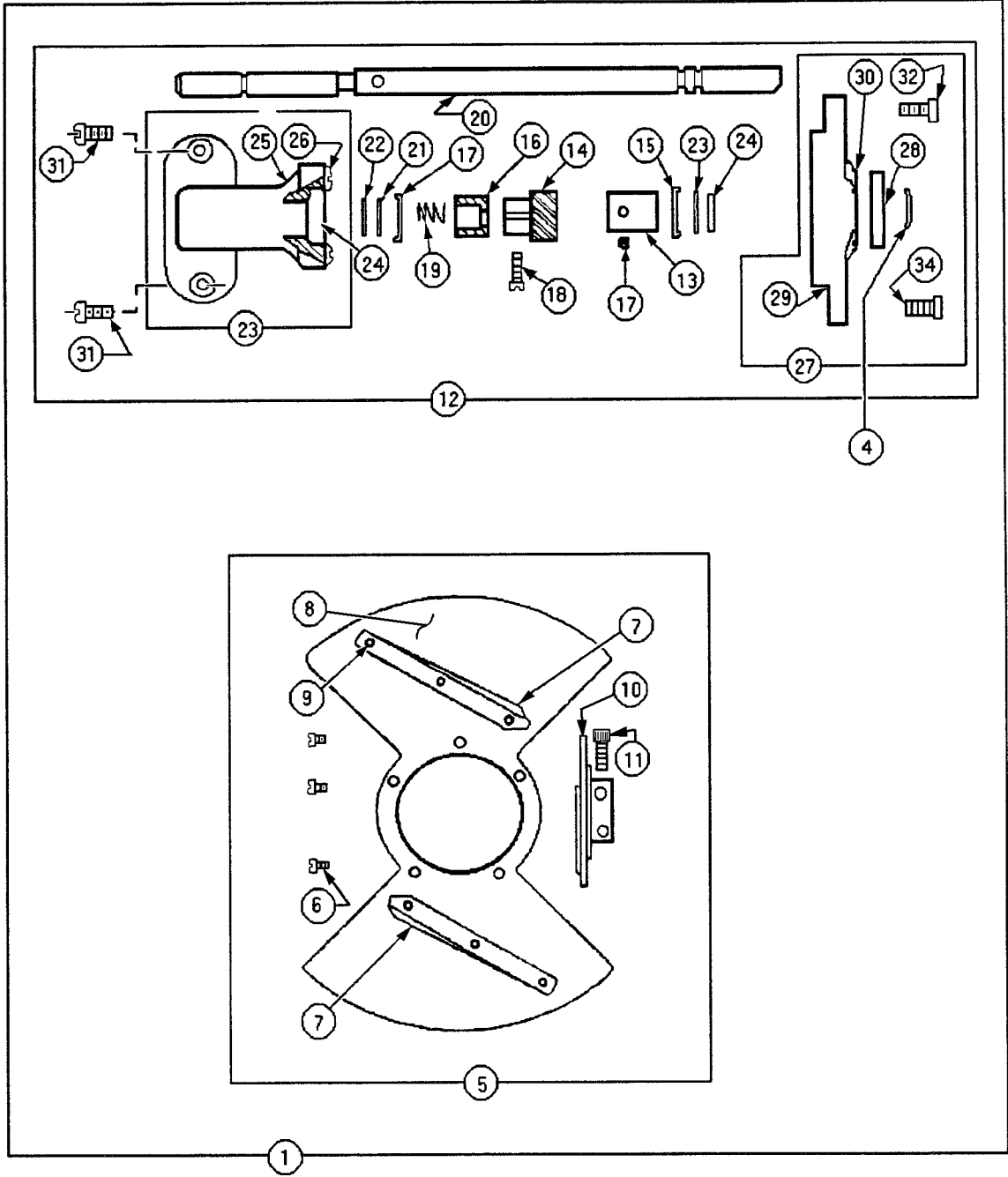
LOWER PAD ROLLER ARM ASSEMBLY (82-60097)

<u>Item</u>	<u>Part No.</u>	<u>Description</u>
52	C1-C-40	Lower Pad Roller Arm Assembly
53	C1-C-21	Shaft & Knob
	C1-C-41	Lower Pad Roller Assembly
54	AR-0021	Arm Casting
55	2908	Detent Ball (2 req'd.)
56	NU-0008	Lock Nut
57	R3-400	Roller
58	SC-0087	Pad Roller Adjust Screw, 8-32 x 7/8" Hex Head
59	41-51416	Pad Roller Shaft Screw, 6-32 x 3/8" Hex Head
60	SG-0021	Spring

LOWER PAD ROLLER ARM, STUD, KNOB, & BUSHING ASSEMBLY (82-20372)

<u>Item</u>	<u>Part No.</u>	<u>Description</u>
61	C1-C-41	Arm, Stud, Knob, & Bushing Assembly
62	C1-C-42*	Arm, Stud, & Knob
63	BU-0027*	Bushing
64	PN-0025*	Pin

* Order C1-C-41; Sold as Assembly *only*



SHUTTER & SHAFT ASSEMBLY (H4-D-40X*)

<u>Item</u>	<u>Part No.</u>	<u>Description</u>
1	H4-D-40X*	Shutter & Shaft Assembly
	C1-D-50S	Shutter Blade Assembly, 100° 1/32"
	H1-D-44X	Shutter Shaft Assembly
4	SG-0016	Shutter Hub Spacer Spring

* Not Sold as Assembly - Order Individual Components

STEEL SHUTTER BLADE ASSEMBLY, LARGE DIAMETER, 100° (82-60001)

<u>Item</u>	<u>Part No.</u>	<u>Description</u>
5	C1-D-50S	Shutter Blade Assembly, 1/32" Steel
6	SC-0128	Shutter & Hub Screw (5 req'd.)
7	BD-0026	Shutter Blade Air Vane
8	BD-1454	Shutter Blade, 100°
9	RV-0647	Rivet, Air Vane
10	HB-0044	Shutter Hub
11	41-51201	Shutter Hub Clamp Screw, 8-32 x 3/4" Socket Head

SHUTTER SHAFT & BRACKET ASSEMBLY, SINGLE (82-60036)

<u>Item</u>	<u>Part No.</u>	<u>Description</u>
12	H1-D-44X	Shutter Shaft & Bracket Assembly
	C2-D-42	Front Shutter Bracket Assembly
	C1-D-45	Rear Shutter Bracket Assembly
13	CL-0128	Thrust Collar
14	GR-0007	Steel Gear
15	RT-0061	Bearing Retainer (2 req'd.)
16	RT-0062	Pressure Spring Retainer
17	41-51176	Collar Set Screw, 10-32 x 3/16"
18	00259000	Gear Screw, 8-32 x 5/8" Fillister Head
19	SG-2494	Pressure Spring
20	ST-1397X	Shutter Shaft
21	WA-0130	Thrust Washer, Neoprene (2 req'd.)
22	WA-0131	Thrust Washer, Steel (2 req'd.)

SHUTTER SHAFT BRACKET & BALL BEARING ASSEMBLY (82-60031)

<u>Item</u>	<u>Part No.</u>	<u>Description</u>
23	C2-D-42	Bracket & Bearing Assembly
24	BG-0009	Ball Bearing
25	BR-0186	Front Bracket
26	41-51061	Screw, 8-32 x 1/4" Bind Head

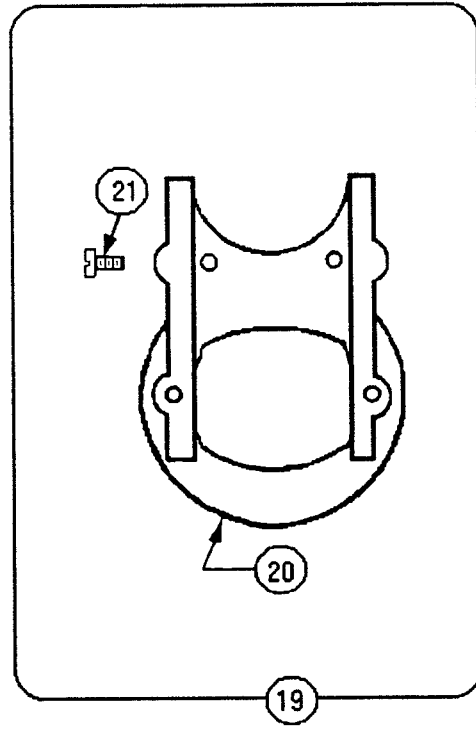
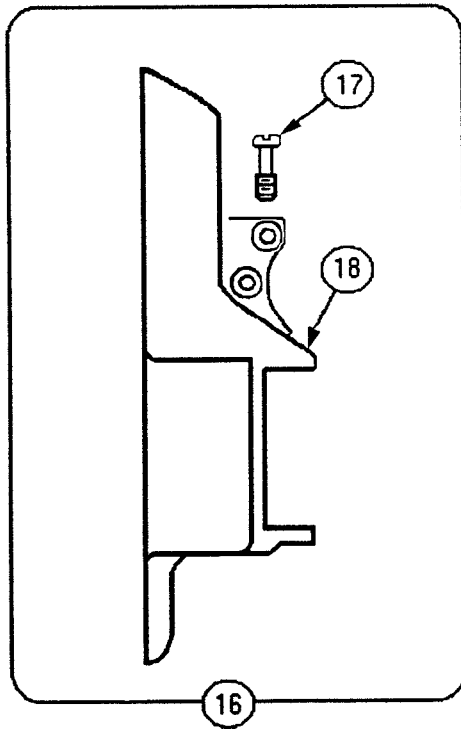
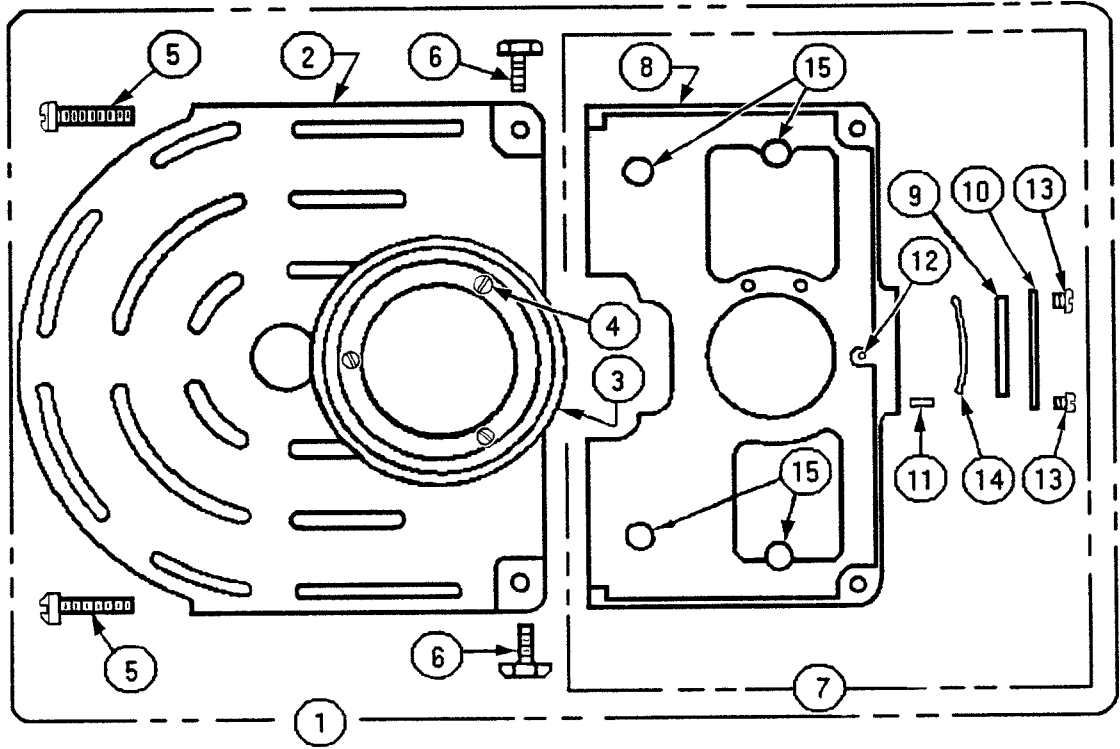
SINGLE SHUTTER BRACKET & BALL BEARING ASSEMBLY (82-60023)

<u>Item</u>	<u>Part No.</u>	<u>Description</u>
27	C1-D-45	Bracket & Bearing Assembly
28	BG-0009	Ball Bearing
29	BR-0014	Rear Bracket
30	41-51061	Screw, 8-32 x 1/4" Bind Head (4 req'd.)

Associated Parts

31	41-51521	Shutter Bracket Mounting Screw (2 req'd.)
32	3072	Shutter Bracket Mounting Screw (4 req'd.)

For *Optional* Double Shutter, see Page 34 of this Booklet.



SHUTTER GUARD ASSEMBLY (82-60011)

<u>Item</u>	<u>Part No.</u>	<u>Description</u>
1	H1-D-46	Shutter Guard Assembly
	H1-D-43	Shutter Guard, Fixed
2	GD-0185	Shutter Guard, Removable ^{1,2}
3	HD-0076	Hood, Light Shield
4	SC-1265	Screw, 8-32 x 3/8" Fillister Head (3 req'd.)
5	41-51111	Screw, 10-32 x -1/4" Fillister Head (2 req'd.)
6	H-2655	Screw, 1/4-20 x 1/2" Hex Head (2 req'd.)

FIXED SHUTTER GUARD ASSEMBLY (H1-D-43*)

<u>Item</u>	<u>Part No.</u>	<u>Description</u>
7	H1-D-43*	Shutter Guard, Fixed
8	GD-0202	Shutter Guard (as shown) ¹
-	GD-0278	Shutter Guard (for use with <i>optional</i> Heat Shield) ²
9	GL-0018	Sight Glass, Tinted
10	HO-0005	Sight Glass Holder
11	PN-0280	Spring Pin
12	PN-0647	Alignment Pin, Shutter Timing
13	41-51011	Glass Holder Screw, 3-48 x 1/4" Bind Head (4 req'd.)
14	SG-0044	Spring

* Not Sold as Assembly - Order Individual Components

Associated Parts

15	SC-1109	Mounting Screw (for GD-0202), 4 req'd.
----	---------	--

¹ May be ordered as "Matched Pairs" (Order 82-20132)

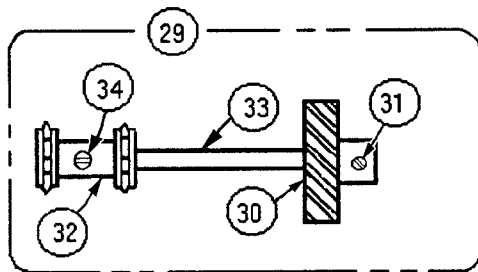
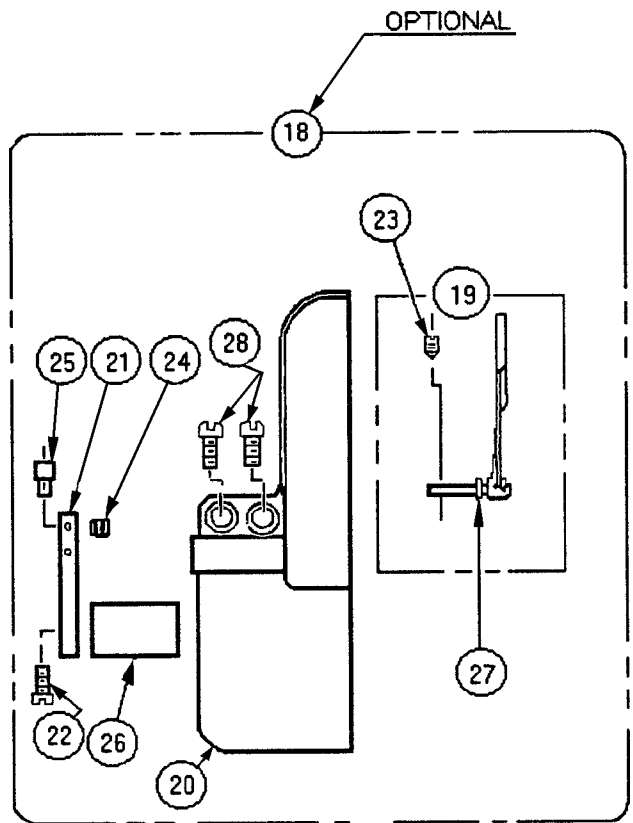
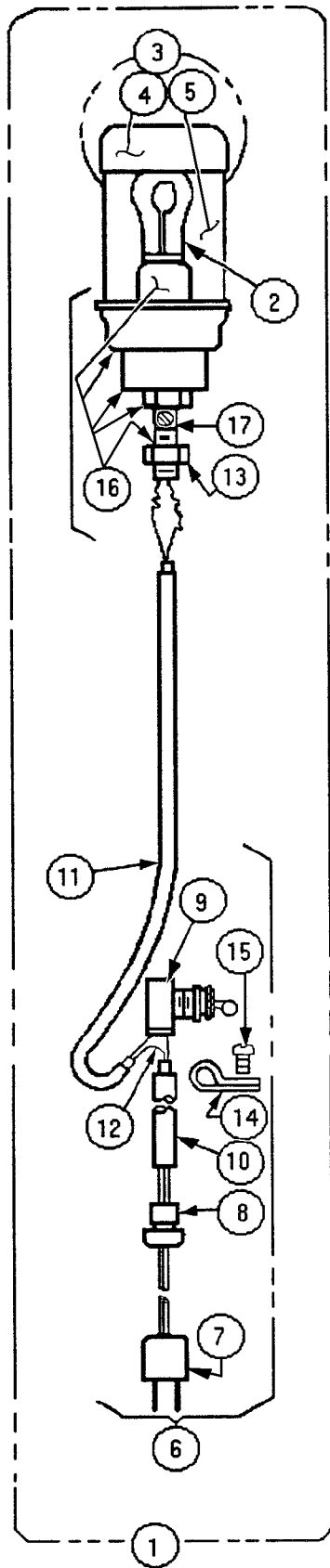
² May be ordered as "Matched Pairs" (Order 82-20310)

LIGHT SHIELD ASSEMBLY (A1-D-70)

<u>Item</u>	<u>Part No.</u>	<u>Description</u>
16	A1-D-70	Light Shield Assembly
17	SC-0051	Mounting Screw (2 req'd.)
18	SD-1799	Shield Casting

Individual Parts

19	A1-D-80	Douser Guide & Heat Shield
20	SD-1130	Heat Shield, Aluminum
21	00255000	Mounting Screw, 8-32 x 5/16" Fillister Head (2 req'd.)
	9402	Changeover Douser Plate (see Page 39, "Changeover")



FRAMING LIGHT ASSEMBLY (82-70047)

<u>Item</u>	<u>Part No.</u>	<u>Description</u>
1	C5-A-50	Framing Light Assembly
	C3-A-53	Framing Light Shield
	C5-A-54	Socket Assembly
2	LP-0122	Bulb, 12 V.AC

FRAMING LIGHT SHIELD ASSEMBLY (82-70008)

<u>Item</u>	<u>Part No.</u>	<u>Description</u>
3	C3-A-53	Framing Light Shield Assembly
4	SD-1997	Cover
5	SD-2477	Glass

FRAMING LIGHT SOCKET & WIRE ASSEMBLY (C5-A-54)

<u>Item</u>	<u>Part No.</u>	<u>Description</u>
6	C5-A-54	Socket & Wire Assembly
	C3-A-55	Socket Assembly
7	WI-0356	Framing Light Cord
8	CP-0890	Cable Clamp
9	NU-0006	Nut
10	SW-2467	Toggle Switch
11	TU-0003	Insulator
12	TU-0193	Insulator
13	WI-0277	White Wire

Associated Parts

14	CP-0883	Cable Clamp
15	41-51032	Clamp Screw, 6-32 x 1/4" Bind Head
	PE-1299	Switch Plate (ON-OFF)
	21-40011	Molex Receptacle
	31-62006	Molex Pin (2 req'd.)
	TF-0368	Stepdown Transformer, 120-12 V.AC (not shown)

FRAMING LIGHT SOCKET ASSEMBLY (82-70030)

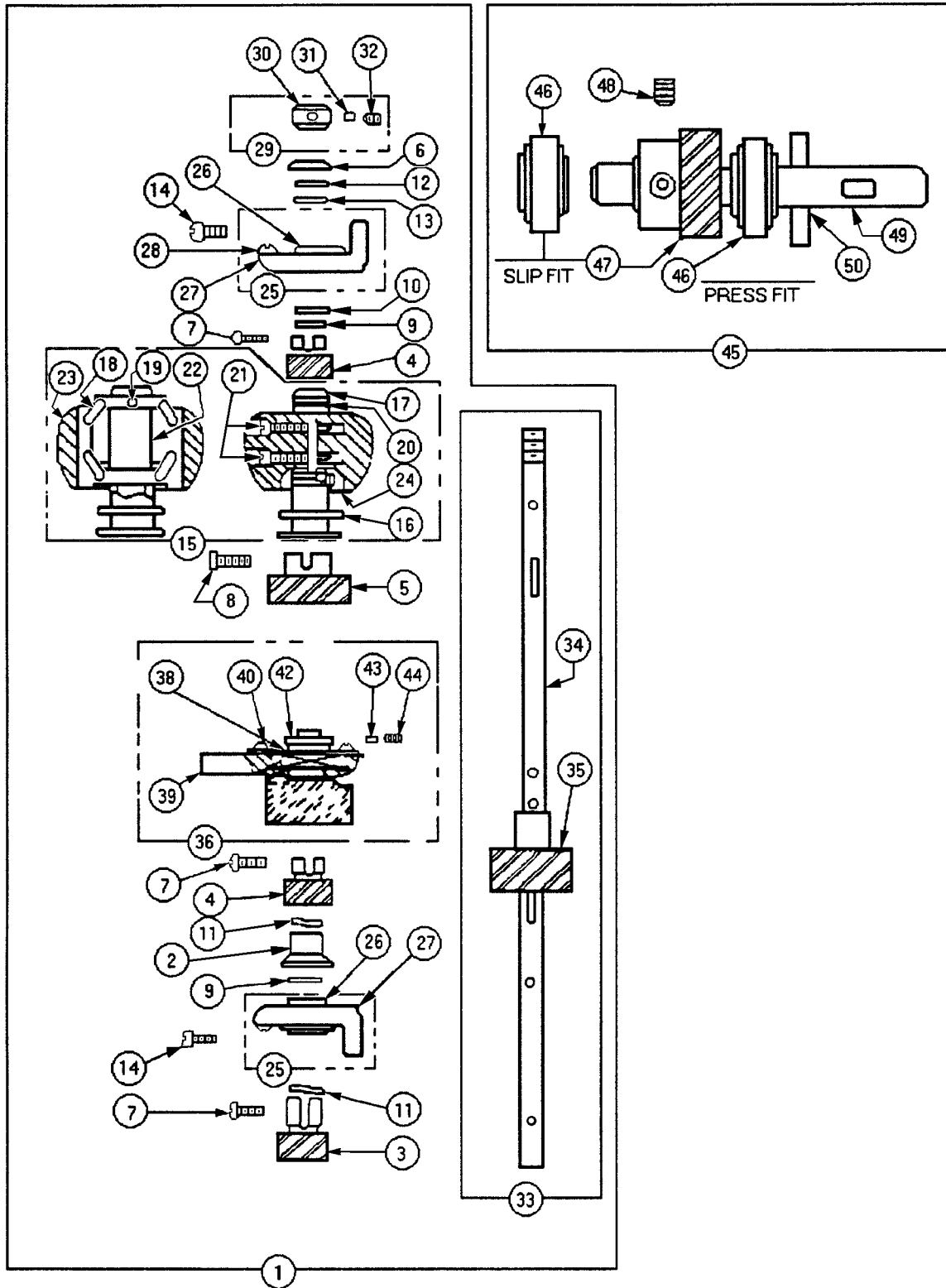
<u>Item</u>	<u>Part No.</u>	<u>Description</u>
16	C3-A-55	Socket Assembly
17	SC-0172	Screw

AUTOMATIC FIRE SHUTTER SHAFT, *OPTIONAL* (82-60258)

<u>Item</u>	<u>Part No.</u>	<u>Description</u>
18	C1-D-60	Fire Shutter Assembly
19	C1-D-64	Fire Shutter Arm & Shaft Assembly
20	BG-0017	Housing, Cast Aluminum
21	CK-0011	Crank
22	00256000	Screw, 8-32 x 3/8" Fillister Head
23	SC-2468	Set Screw, 8-40 x 1/4" Cone Point (2 req'd.)
24	41-51460	Set Screw, 8-40 x 3/16" Hardened
25	SU-0026	Stud
26	WT-0008	Counterweight
27	WA-0241	Washer
28	SC-0137	Mounting Screw, 1/4-20 x 1/2" Fillister Head (2 req'd.)

SPROCKET SHAFT ASSEMBLY, UPPER & LOWER (82-60030)

<u>Item</u>	<u>Part No.</u>	<u>Description</u>
29	C2-D-10	Sprocket Shaft Assembly (2 req'd.)
30	GR-0010	Fibre Gear
31	41-51195	Gear Screw, 6-32 x 1/2" Socket Head
32	SK-2204	Film Sprocket, 35mm VKF®
33	ST-0002	Sprocket Shaft
34	41-51038	Sprocket Screw, 6-32 x 1/2" Fillister Head



SINGLE SHUTTER VERTICAL SHAFT & GOVERNOR ASSEMBLY (82-60086)

Governor Assembly required with *optional* Fire Shutter only

SINGLE SHUTTER VERTICAL SHAFT ASSEMBLY, STANDARD (82-60088)

<u>Item</u>	<u>Part No.</u>	<u>Description</u>
1	M3-G-100A	Vertical Shaft & Governor Assembly
	M3-G-100B	Vertical Shaft Assembly, <i>less</i> Governor
	C1-G-22	Governor Weight Assembly
	C1-G-31	Ball Bearing Bracket (2 req'd.)
	C1-G-44	Upper Thrust Collar
	C3-G-93	Vertical Shaft, Key, & Gear Assembly
	C1-G-95	Intermittent Drive Bracket & Nut
2	CL-0028	Lower Collar (2 req'd.)
3	GR-0005	Sprocket Drive Gear (2 req'd.)
4	GR-0207	Shutter Drive Gear
5	GR-0182	Vertical Shaft Driven Gear
6	RT-0061	Washer Retainer
7	P-1432	Gear Screw, 8-32 x 5/8" Socket Head
8	41-51201	Shutter Gear Screw, 8-32 x 3/4" Socket Head
9	WA-0003	Fibre Thrust Washer (2 req'd.)
10	WA-0010	Steel Thrust Washer
11	WA-0014	Spring Washer (2 req'd.)
12	WA-0130	Neoprene Washer
13	WA-0131	Steel Thrust Washer

Associated Parts

14	3069	Vertical Shaft Mounting Screw, 1/4-20 x 5/8" (4 req'd.)
----	------	---

GOVERNOR WEIGHT ASSEMBLY, *OPTIONAL* (82-60158)

<u>Item</u>	<u>Part No.</u>	<u>Description</u>
15	C1-G-22	Governor Weight Assembly
16	HO-0003	Link Holder
17	HO-0004	Link Holder
18	LI-0003	Link (4 req'd.)
19	SC-2468	Set Screw, 8-40 x 1/4"
20	SC-0135	Governor Link Screw (4 req'd.)
21	SC-0136	Screw, 5-40 x 57/64" Hardened (4 req'd.)
22	SV-0042	Sleeve
23	WT-0006	Weight (2 req'd.)
24	WA-0296	Washer (2 req'd.)

VERTICAL SHAFT BALL BEARING & BRACKET ASSEMBLY (82-60025)

<u>Item</u>	<u>Part No.</u>	<u>Description</u>
25	C1-G-31	Bearing & Bracket Assembly (2 req'd.)
26	BG-0009	Ball Bearing
27	BR-0020	Bracket Casting
28	41-51061	Bearing Retainer Screw, 8-32 x 1/4" (3 req'd.)

VERTICAL SHAFT UPPER THRUST COLLAR ASSEMBLY (82-60102)

<u>Item</u>	<u>Part No.</u>	<u>Description</u>
29	C1-G-44	Upper Thrust Collar Assembly
30	CL-0101*	Collar
31	PG-0013*	Plug (2 req'd.)
32	H-3719*	Collar Set Screw, 6-32 x 1/4" (2 req'd.)

* Order C1-G-44

VERTICAL SHAFT, KEY, & GEAR ASSEMBLY (82-20256)

<u>Item</u>	<u>Part No.</u>	<u>Description</u>
33	C3-G-93	Vertical Shaft, Key, & Gear Assembly
34	ST-1796	Shaft
	KY-0053-J	Key (2 req'd.)
35	GR-0366R	Intermittent Drive Gear

INTERMITTENT DRIVE BRACKET & NUT ASSEMBLY (82-60103)

<u>Item</u>	<u>Part No.</u>	<u>Description</u>
36	C1-G-95	Drive Bracket & Nut Assembly
	C1-G-23	Ball Bearing & Bracket Assembly
	C1-G-24	Drive Gear Assembly

INTERMITTENT DRIVE & BRACKET ASSEMBLY (82-60101)

<u>Item</u>	<u>Part No.</u>	<u>Description</u>
37	C1-G-23	Ball Bearing & Bracket Assembly
38	BG-0006A	Ball Bearing
39	BR-0003*	Bracket Casting
40	41-51061	Screw, 8-32 x 1/4" Bind Head (as req'd.)
	WA-0239	Washer (2 req'd.)

* Order C1-G-23

INTERMITTENT DRIVE GEAR NUT ASSEMBLY (C1-G-24)

<u>Item</u>	<u>Part No.</u>	<u>Description</u>
41	C1-G-24	Drive Gear Nut Assembly
42	NU-0001*	Nut
43	PG-0013*	Plug (2 req'd.)
44	H-3719*	Set Screw, 6-32 x 1/8" (2 req'd.)
* Order C1-G-24		

HORIZONTAL DRIVE SHAFT ASSEMBLY for DIRECT DRIVE (82-60181)

<u>Item</u>	<u>Part No.</u>	<u>Description</u>
45	M5-G-111T	Horizontal Drive Shaft Assembly
	C2-G-112	Drive Shaft & Bearings (see below)
46	BG-0006A	Ball Bearing (2 req'd.)
47	GR-0328	Main Drive Gear
48	SC-0074	Set Screw, 1/4-20 x 1/4" (2 req'd.)
49	ST-2154	Order C2-G-112
50	RI-0617	Oil Seal Ring
NOTE: Direct Drive = (1) Drive Belt		

HORIZONTAL DRIVE SHAFT ASSEMBLY for STANDARD DRIVE (82-60161)

<u>Item</u>	<u>Part No.</u>	<u>Description</u>
45	C2-G-111T	Horizontal Drive Shaft Assembly
	C2-G-112	Drive Shaft & Bearings (see below)
46	BG-0006A	Ball Earing
47	GR-0302	Main Drive Gear
48	3052	Set Screw, 1/4-20 x 3/8" (2 req'd.)
49	ST-2154	Order C2-G-112
50	RI-0617	Oil Seal Ring
NOTE: Standard Drive = (2) Drive Belts		

HORIZONTAL DRIVE SHAFT & BEARINGS ASSEMBLY (82-60033)

<u>Item</u>	<u>Part No.</u>	<u>Description</u>
	C2-G-112	Drive Shaft & Bearings
46	BG-0006A	Ball Bearing (2 req'd.)
49	ST-2154	Horizontal Drive Shaft

DOUBLE SHUTTER PROJECTOR

DOUBLE SHUTTER SHAFT, BRACKET, GEARS, & BLADE ASSEMBLY (82-60068)

<u>Part No.</u>	<u>Description</u>
J4-D-50	Double Shutter Shaft, Bracket, Gears, & Blade Assembly
J8-D-51	Double Shutter Blade & Hub, Inner
J8-D-52	Double Shutter Blade & Hub, Outer
H1-D-54*	Shutter Shaft Bracket & Ball Bearing
SG-0016	Shutter Spring
SA-2044	Shutter Spacer
3072	Socket Screw, 1/4-20 x 1/2"

* Not Sold as Assembly - Order Individual Components

INNER SHUTTER BLADE & HUB ASSEMBLY (82-60118)

<u>Part No.</u>	<u>Description</u>
J8-D-51	Inner Shutter Blade & Hub
C2-D-56	Hub & Clamp Screws
J8-D-59	Shutter & Air Vanes
SC-0128	Fastening Screw (5 req'd.)

INNER SHUTTER HUB ASSEMBLY (82-60108)

<u>Part No.</u>	<u>Description</u>
C2-D-56	Shutter Hub Assembly
HB-0045	Hub
41-51201	Clamping Screw, 8-32 x 3/4" Socket Head (2 req'd.)

INNER SHUTTER BLADE & AIR VANE ASSEMBLY (82-60124)

<u>Part No.</u>	<u>Description</u>
J8-D-59	Shutter Blade Assembly
BD-0026	Air Vane (2 req'd.)
BD-1083	Shutter Blade, Inner
SC-0094	Vane Screw, 6-32 x 1/8" Bind Head (6 req'd.)

OUTER SHUTTER BLADE & HUB ASSEMBLY (82-60123)

<u>Part No.</u>	<u>Description</u>
J8-D-52	Shutter Blade & Hub Assembly
C2-D-49	Hub & Clamp Screws
SC-0128	Fastening Screw (5 req'd.)
BD-1082	Shutter Blade, Outer

OUTER SHUTTER HUB ASSEMBLY (82-60032)

<u>Part No.</u>	<u>Description</u>
C2-D-49	Shutter Hub Assembly
HB-0044	Hub
41-51201	Clamping Screw, 8-32 x 3/4" Socket Head (2 req'd.)

DOUBLE SHUTTER SHAFT BRACKET & BALL BEARING ASSEMBLY (H1-D-54*)

<u>Part No.</u>	<u>Description</u>
H1-D-54*	Double Shutter Shaft Bracket & Bearing Assembly
C2-D-42	Shutter Shaft Bracket & Bearing Assembly
C2-D-55A*	Double Shutter Intermittent Bracket Assembly
CL-0128	Shutter Shaft Thrust Collar
GR-0007	Intermittent & Shutter Drive Gear
RT-0061	Thrust Washer Retainer (2 req'd.)
RT-0062	Shutter Shaft Spring Retainer
SC-0023	Set Screw, 10-32 x 3/16"
P-1432	Screw, 8-32 x 5/8" Socket Head
ST-1397X	Shutter Shaft
WA-0130	Steel Washer (2 req'd.)
WA-0131	Spring Washer (2 req'd.)

* Not Sold as Assembly - Order Individual Components

INTERMEDIATE BRACKET, GEARS, & BALL BEARING ASSEMBLY (C2-D-55A*)
for Double Shutter Projectors

<u>Part No.</u>	<u>Description</u>
C2-D-55A*	Intermediate Bracket, Gears, & Bearing Assembly
C1-D-39	Intermediate Shutter Shaft & Bearing Assembly
C2-D-53B	Outer Rear Bracket, Gear, & Bearing Assembly
BG-0009B	Ball Bearing
BR-0016	Bracket Casting
CL-0035	Thrust Collar
GR-0007	Steel Gear
GR-0072	Reverse Shutter Gear
00259000	Screw, 8-32 x 5/8" Fillister Head
H-2525	Screw, Collar & Gear; 6-32 x 1/2" Fillister Head (2 req'd.)
SC-0112	Screw, Bearing Retaining (2 req'd.)
SC-0131	Screw, Reverse Gear & Bearing Retaining (2 req'd.)
SG-0086	Thrust Spring
WA-0005	Fibre Thrust Washer
WA-0017	Steel Thrust Washer (2 req'd.)
WA-0254	Thrust Washer

* Not Sold as Assembly - Order Individual Components

Associated Parts

3072	Mounting Screw, Intermediate Bracket (4 req'd.)
------	---

DIRECT DOUBLE SHUTTER BRACKET & BALL BEARING ASSEMBLY (82-60160)

<u>Part No.</u>	<u>Description</u>
C2-D-53B	Direct Double Shutter Bracket & Bearing Assembly
C2-D-53A	Bearing & Matched Gear Assembly
BR-0015	Bracket Casting
CL-0747	Inner Spacing Collar
SA-2043	Spacer
SC-0882	Collar Set Screw, 6-32 x 1/4"
WA-0009	Washer

GEAR & BALL BEARING ASSEMBLY for DOUBLE SHUTTER (82-60159)

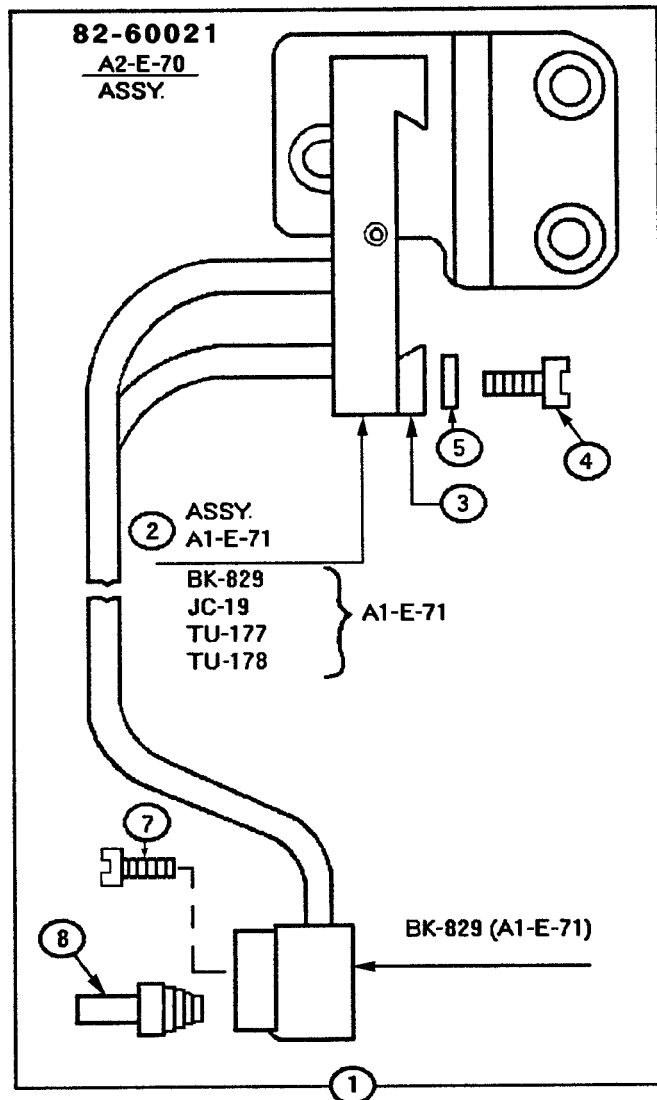
<u>Part No.</u>	<u>Description</u>
C2-D-53A	Gear & Ball Bearing Assembly
BG-0006A	Ball Bearing (2 req'd.)
BR-0015	Bracket Casting
GR-0013	Intermediate Shutter Gear (2 req'd.)

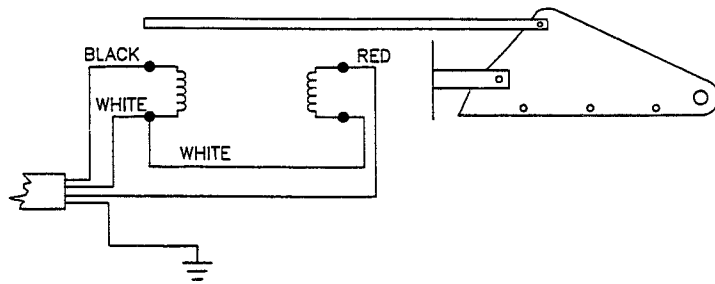
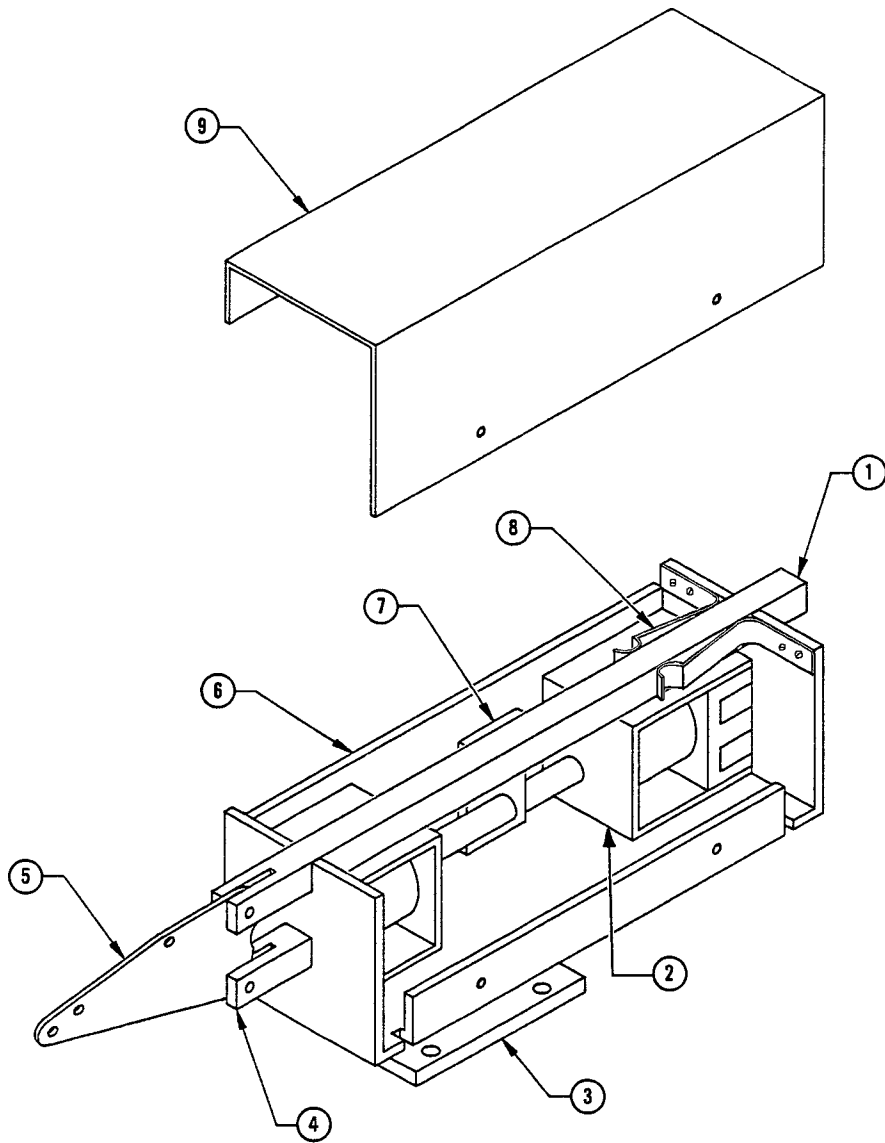
ADDITIONAL PARTS for WATER-COOLED PROJECTORS

<u>Item</u>	<u>Part No.</u>	<u>Description</u>
1	A2-E-70	Film Trap Support Gib, Water-Cooled (Complete)
2	A1-E-71	Support Gib/Water Cell with Tubes & Connector Block
3	GI-0255	Film Trap Support Gib with Water Cell
4	41-51016	Fastening Screw, 4-40 x 1/2" Bind Head (3 req'd.)
5	WA-0088	Washer (3 req'd.)
6	00259000	Fastening Screw, 8-32 x 5/8" Fillister Head
7	SC-0137	Mounting Screw, 1/4-20 x 1/2" Fillister Head (3 req'd.)
8	81-20001	Hose Connector, Nylon (2 req'd.)

Associated Parts

01432000 Mounting Screw, 1/4-20 x 1/2" Allen Screw (3 req'd.)





CENTURY PICTURE CHANGEOVER DEVICE, 115 V.AC (82-60218*)

<u>Item</u>	<u>Part No.</u>	<u>Description</u>
1	P-7922	Push Rod
2	51-55005	Solenoid, 115 V.AC (2 req'd with 82-60218)
-	51-55006	Solenoid, 230 V.AC (2 req'd. with 82-60219*)
-	81-55006	Solenoid, 24 V.AC (2 req'd. with 82-60283*)
-	00236000	Solenoid Mounting Screw, 8-32 x 5/16" Flat Head
3	P-7926	Base Plate
4	P-7923	Pivot Block, Bell Crank
-	P-7966	Clevis Pin, 1/8" Diameter
-	01704000	Cotter Pin, 1/16" Diameter
5	P-7892	Bell Crank
-	P-7966	Clevis Pin, Bell Crank Pivot; 1/8" Diameter
-	01704000	Cotter Pin, 1/16" Diameter
6	P-7919	Bracket, Changeover Body
-	41-13008	Cable Clamp, 90°
7	P-7925	Connector Plate
-	41-51325	Screw, 6-32 x 3/8" Socket Head (2 req'd.)
-	P-7966	Clevis Pin, Plate to Solenoid Armature; 1/8" Diameter
-	01704000	Cotter Pin, 1/16" Diameter
8	P-7920	Spring (2 req'd.)
-	41-51016	Screw, 4-40 x 1/4" (4 req'd.)
9	P-7924	Cover
-	41-51412	Cover Mounting Screw, 6-32 x 1/4" Pan Head (Black)

Associated Parts

9403	Linkage Rod, Changeover Douser
9402	Douser Plate & Rod Clamp Assembly
P-1676	Clamp Screw, Douser Plate to Linkage Rod; 6-32 x 1/4"
51-71007	Cable, (4) Conductor, Type SO (6 feet req'd.)

* Order 82-60219 for 230 V.AC Changeover Assembly (Complete)
 Order 82-60283 for 24 V.AC Changeover Assembly (Complete)

