

FILM-TECH

THE INFORMATION CONTAINED IN THIS ADOBE ACROBAT PDF FILE IS PROVIDED AT YOUR OWN RISK AND GOOD JUDGMENT.

THESE MANUALS ARE DESIGNED TO FACILITATE THE EXCHANGE OF INFORMATION RELATED TO CINEMA PROJECTION AND FILM HANDLING, WITH NO WARRANTIES NOR OBLIGATIONS FROM THE AUTHORS, FOR QUALIFIED FIELD SERVICE ENGINEERS.

IF YOU ARE NOT A QUALIFIED TECHNICIAN, PLEASE MAKE NO ADJUSTMENTS TO ANYTHING YOU MAY READ ABOUT IN THESE ADOBE MANUAL DOWNLOADS.

WWW.FILM-TECH.COM

SOUTH

OPERATING INSTRUCTIONS
FOR
EX-101 EXCITER SUPPLY

RENTEC CORPORATION
UPLAND, CALIFORNIA

TABLE OF CONTENTS

Section		Page
1.1	General Description.....	1
2.2	Controls.....	1
3.1	Installation.....	2
4.1	Specifications.....	2
5.1	Drawings.....	3

LIST OF DRAWINGS

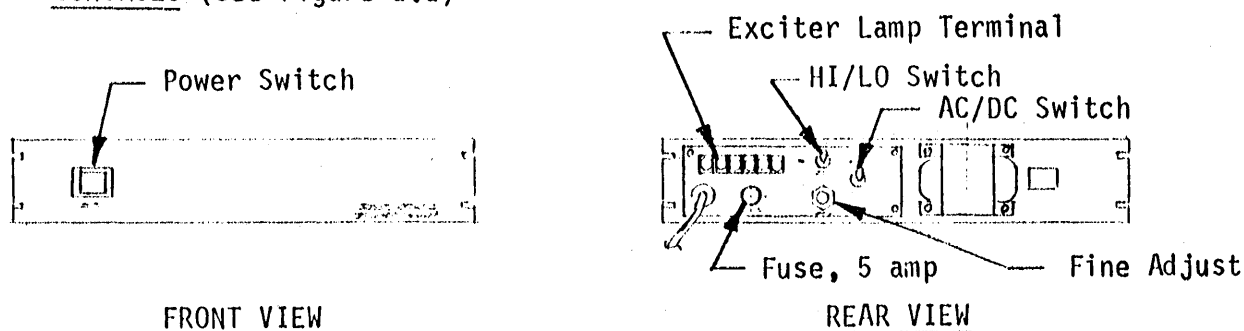
Schematic	B-1001700
Final Assembly	D-1001293
Heat Sink Assembly	B-1001613
Terminal Strip Assembly	B-1001382

EX-101 EXCITER SUPPLY

1.1 GENERAL DESCRIPTION

The EX-101 Exciter Supply is a regulated DC exciter lamp power supply designed to operate lamps from 7VDC to 12VDC. Incorporated in the system is an emergency AC switch which supplies 7 to 12VAC from a transformer tap should the power supply section of the unit fail.

2.2 CONTROLS (See Figure 1.1)



a. Power Switch, Front Panel. Turns on the AC to the supply; pilot light indicates power.

b. AC/DC Switch, Back Panel. This switch is normally in the "DC" position. It should only be put in the "AC" mode in the event of a system failure. This is only for emergency and the source of the problem should be repaired as soon as practical. This switch is placed on the back panel to prevent people from switching it inadvertently.

c. HI/LO Switch, Back Panel. This switch is set only during installation for proper lamp output in relation to AC input of the system.

d. Fine Adjust, Back Panel. This control is used to set the exciter lamp at desired voltage (approximately 8.5VDC for BMX-type lamps). Refer to the type of lamp used for proper setting.

3.1 INSTALLATION

- a. Install system into 19" rack chassis or cabinet.
- b. Connect exciter lamp leads from exciter lamp in projector to terminal on back of exciter supply marked "Exciter Lamp", observe polarity.
- c. Plug exciter supply into a 110VAC, 60HZ, 5 amp outlet.
- d. Turn on and adjust power as described in Section 2.2.
- e. "Monitor Power" outlet is a 12VDC outlet used for power source on some systems. Do not connect exciter lamp to these terminals.

4.1 SPECIFICATIONS

Size: 19" Rack Mount x 3 1/2" High x 4" Deep

Weight: 9 lbs.

Output: 7.5 to 12VDC

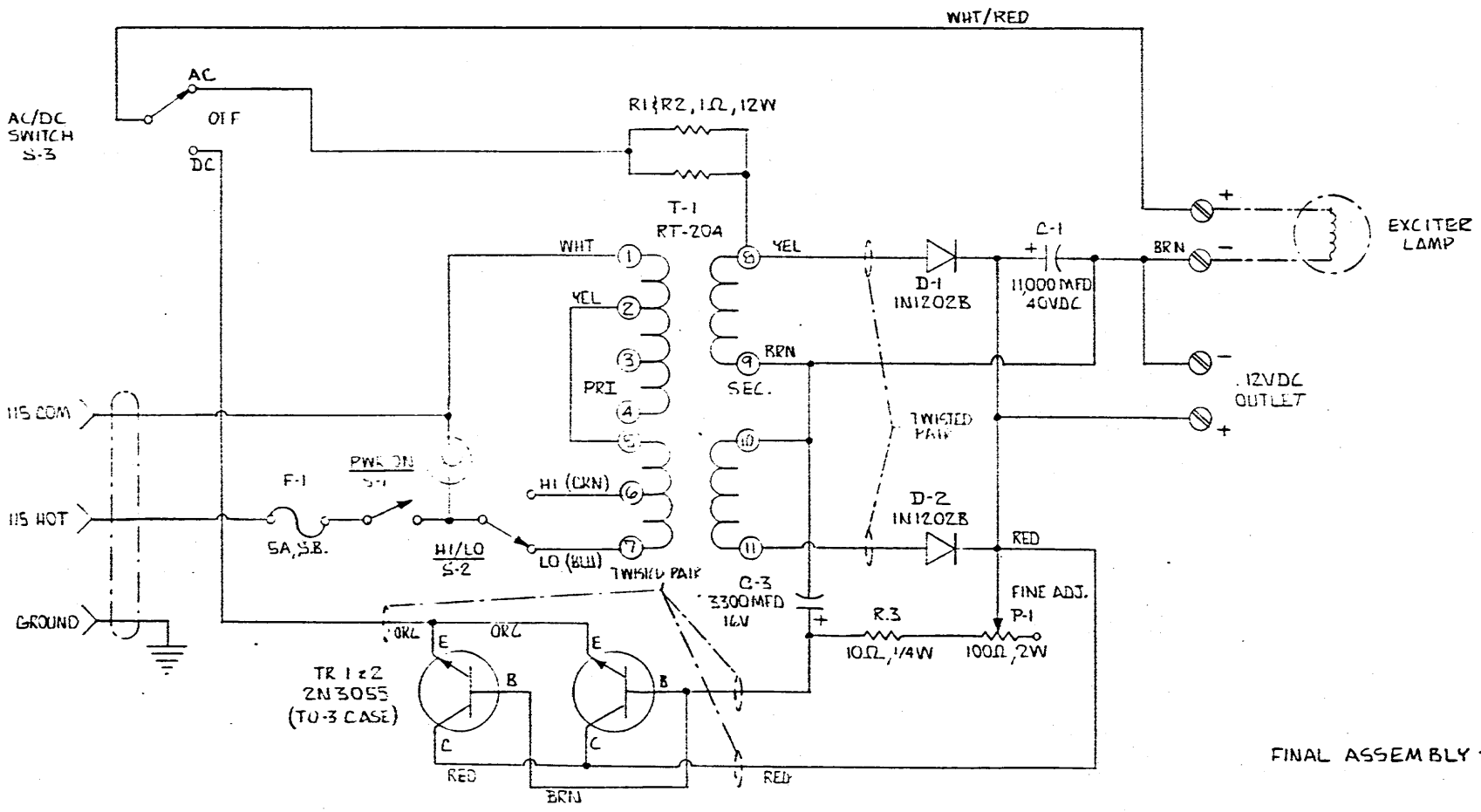
Emergency Output: 7.5 to 12VAC

AC Ripple: Less than .6%

Input Power: 110 - 130VAC, 5 AMP, 60HZ

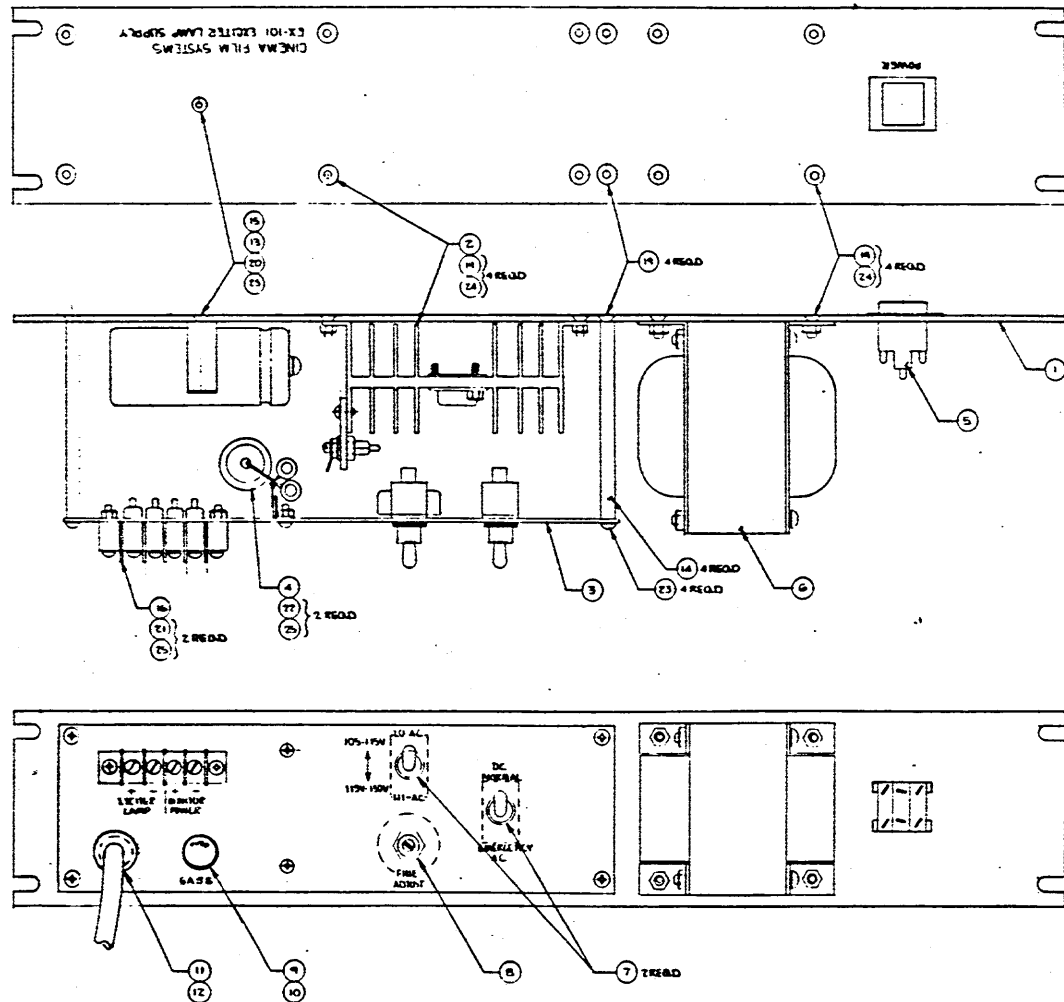
5.1 DRAWINGS

DATE	BY	REVISION RECORD	DR.	CK.



FINAL ASSEMBLY : D-1001293

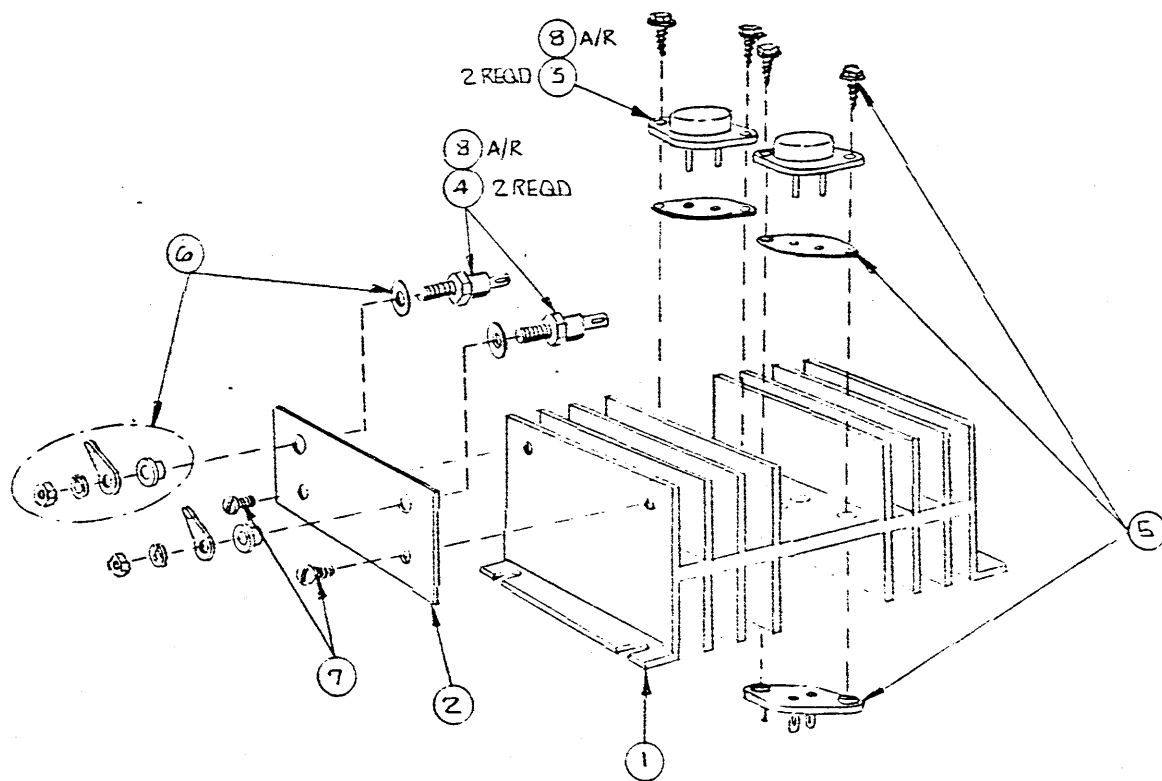
TOLERANCES (EXCEPT AS NOTED)		RENTEC INC	
DECIMAL ±	MODEL EX-101	SCALE —	DRAWN BY R. NICCUM APPROVED BY
FRACTIONAL ±	TITLE SCHEMATIC 19" EXCITER SUPPLY		
ANGULAR ±	DATE 9-18-86	DRAWING NUMBER 3-1001700	



SCHEMATIC : 8-1001700

			44
			43
			42
			41
			40
			39
			38
			37
			36
			35
			34
			33
			32
			31
			30
			29
			28
			27
			26
5	6-32	NUT, KEPS	25
8	8-32	NUT, KEPS	24
4	8-32 X 3/8	SCREW, PAN HD, PHILLIPS	23
2	6-32 X 1/4	SCREW, PAN HD, PHILLIPS	22
2	6-32 X 3/4	SCREW, PAN HD, PHILLIPS	21
1	6-32 X 7/8	SCREW, FLAT HD, SOCKET	20
12	8-32 X 7/8	SCREW, FLAT HD, SOCKET	19
			18
			17
1	1220-4	TERMINAL BLOCK, BEALI	16
1	388BF H3804-DAM	CAPACITOR, 11000 MFD, 450V	15
4	8534	SMALLER 3 VOLT 8 1/2 25	14
1	TH-25	CAPACITOR, 1000 MFD, 50V	13
1	MC-8403	PHYS. CONT. CTR. SALES	12
1	1120	STRAIN RELIEF, 1/2" X 1/2"	11
1	LAMP/S.B.	FUSE, 3A, 250V	10
1	44FHO30	FUSE HOLDER, 3/16" X 1/2"	9
1	10H1A	NUT, LOCK, 1/4" X 1/2"	8
1	10T006	WIRE, 22 GA, 1/2" X 1/2"	7
1	RT 204	TRANSFORMER, 250V X 110V	6
1	DLA 125W	SWITCH, 125W	5
1	E-1001382	TERMINAL STRIP ASSY	4
1	B-100610	SWITCH RACK, 250V X 110V	3
1	B-100613	HEAT SINK ASSY	2
1	C-100611	FRONT PANEL, 250V X 110V	1
REQ	PART NO.	DESCRIPTION	QTY
NITILE (REWORK) FILED			
FILED		REWORK	
EXCITER LAMP SUPPLY			
NO. 8-101			

DATE	BY	REVISION RECORD	DR.	CHK.



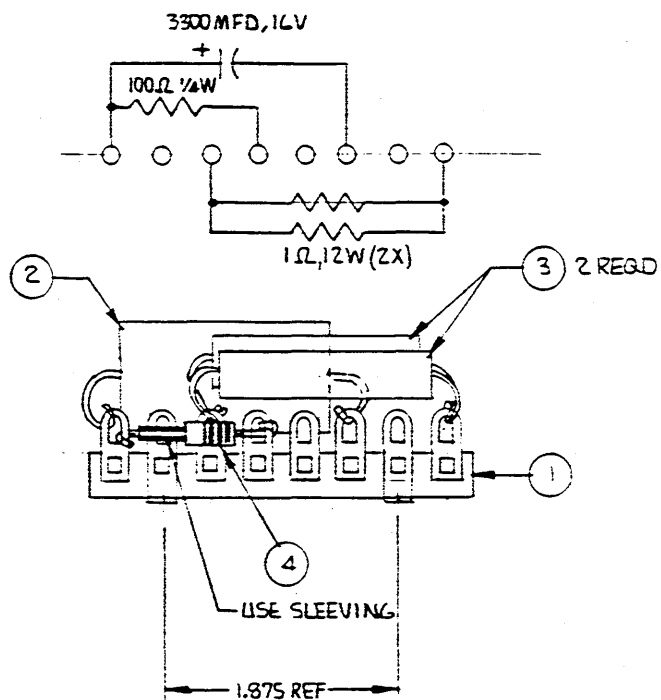
A/R	HARDWARE	DESCRIPTION	ITEM
8	A/R	HEAT SINK COMPOUND	8
2	6-32 X 1/4	SCREW, PAN HD PHIL.	7
2	534-4729	DIODE MTG KIT, <small>MOTOROLA OR EQUIV.</small>	6
2	534-4732	TRANSISTOR MTG KIT <small>MOTOROLA OR EQUIV.</small>	5
2	1N1202B	DIODE	4
2	2N3055	TRANSISTOR, <small>MOTOROLA OR EQUIV.</small>	3
1	A-1001612	DIODE MTG PLATE	2
1	B-1001338-3	HEAT SINK, MODIFIED	1
REQD.	PAK. NO.	DESCRIPTION	ITEM

TOLERANCES (EXCEPT AS NOTED)				RENTEC INC			
DECIMAL	NEXT ASSY D-1001293		SCALE	DRAWN BY R. NICCUM			
±			NONE	APPROVED BY			
FRACTIONAL	TITLE			19" EXCITER SUPPLY			
±	HEAT SINK ASSY						
ANGULAR	DATE	DRAWING NUMBER					
±	6-5-36	B-1001613					

1. NEXT ASSY D-1001293

NOTES:

REV.	DESCRIPTION	DATE
A	10Ω WAS 100Ω	//



1	10Ω 1/4 WATT	RESISTOR ± 5% CARBON	4
2	1Ω, 12WATT	RESISTOR, WIRE WOUND	3
1	TD3300M25	CAPACITOR, 3300 MFD, 16V ELECTROLYTIC	2
1	870	TERMINAL STRIP, SMITH	1

REQD	PART NO	DESCRIPTION	ITEM
------	---------	-------------	------

RENTEC INC

SCALE: FULL

APPROVED BY:

DRAWN BY REN

DATE: 6-24-85

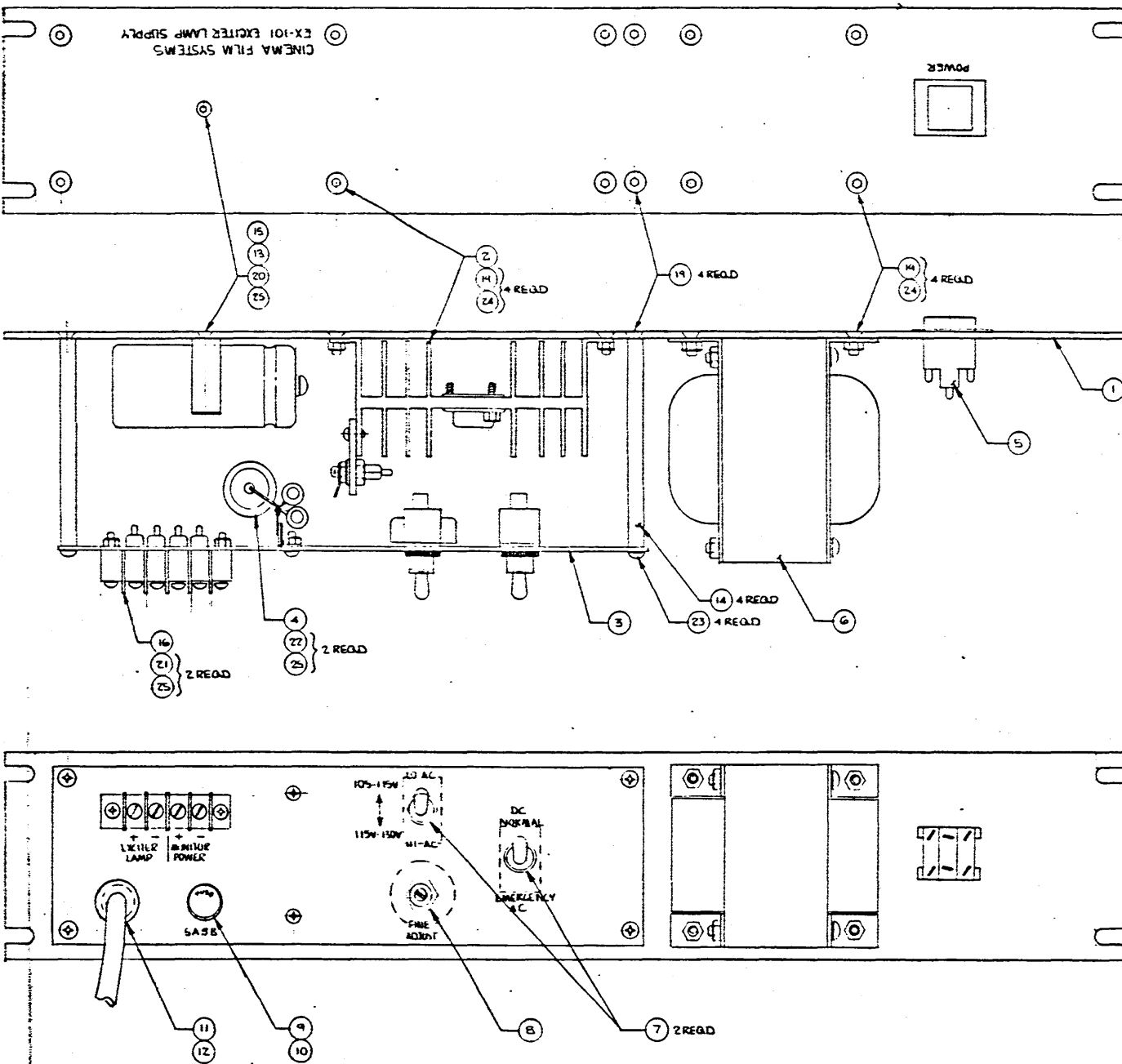
REVISED

TERMINAL STRIP ASSY

DRAWING NUMBER
B-1001382

MAP. REV. A.

S



SCHEMATIC - B-1001700

			44
			43
			42
			41
			40
			39
			38
			37
			36
			35
			34
			33
			32
			31
			30
			29
			28
			27
			26
5	6-32	NUT, KEPS	25
8	8-32	NUT, KEPS	24
4	8-32 X 3/8	SCREW, PAN HD, PHILLIPS	23
2	6-32 X 1/4	SCREW, PAN HD, PHILLIPS	22
2	6-32 X 3/4	SCREW, PAN HD, PHILLIPS	21
1	6-32 X 3/8	SCREW FLAT HD, SOCKET	20
12	8-32 X 3/8	SCREW, FLAT HD, SOCKET	19
			18
			17
1	72204	TERMINAL BLOCK, BEAL	16
1	388BF113104-0AM	CAPACITOR, 11000MFD, 400V, ALUMINUM	15
4	B534	SMALLER 3/16" X 8-32	14
1	TH-25	CONNECTOR MOUNT, MALLEY	13
1	WLY403	POWER CORD, CIN SALES	12
1	1120	STRAIN RELIEF, HEYCO	11
1	SASB	FUSE, 5A, 250V	10
1	44FH030	FUSE HOLDER, 5A, 250V, MOUNTING	9
1	10H1A	FUSE, 100A, 250V, 1/2 WATT	8
	10TE006	SWITCH, TIKLE, SPST	7
1	RT 204	TRANSFORMER, 250V	6
1	DLA3C125W	SWITCH, OSLO	5
1	B-1001382	TERMINAL STRIP ASSY	4
1	B-1001610	SHIELD PLATE, SILK SCREENED	3
1	B-1001613	HEAT SINK ASSEMBLY	2
1	C-1001611	FRONT PANEL, SILK SCREENED	1
REQ	PART NO.	DESCRIPTION	REQ
KENTEC INCORPORATED			
DATE: FILL	APPROVED BY:	DESIGNED BY: REN	
DATE: 10-1-54		REVISED	
EX-101 EXCITER LAMP SUPPLY			
MODEL EX-101		DRAWING NUMBER: D-1001743	