

FILM-TECH

THE INFORMATION CONTAINED IN THIS ADOBE ACROBAT PDF FILE IS PROVIDED AT YOUR OWN RISK AND GOOD JUDGMENT.

THESE MANUALS ARE DESIGNED TO FACILITATE THE EXCHANGE OF INFORMATION RELATED TO CINEMA PROJECTION AND FILM HANDLING, WITH NO WARRANTIES NOR OBLIGATIONS FROM THE AUTHORS, FOR QUALIFIED FIELD SERVICE ENGINEERS.

IF YOU ARE NOT A QUALIFIED TECHNICIAN, PLEASE MAKE NO ADJUSTMENTS TO ANYTHING YOU MAY READ ABOUT IN THESE ADOBE MANUAL DOWNLOADS.

WWW.FILM-TECH.COM

70/35 MM UPPER AND LOWER MAGAZINES
J1-U-10 AND J3-W-10

PART NO.	DESCRIPTION
J1-U-10	70/35 MM UPPER MAGAZINE ASSEMBLY (COMPLETE)
J1-U-11	Upper Magazine Shaft Disc, Spring and Locknut Assembly
C1-U-13	Magazine hinge and Pin
J1-U-16	Magazine Reel Shaft and Lock ($\frac{1}{2}$ " Large)
J1-U-17	Upper Magazine Roller Holder Assembly (70/35 MM)
J1-U-19	Magazine Reel Shaft and Lock (Standard 35 MM Reels)
C1-U-23	Magazine Closing Latch Spring and Shank
Ar-119	Arm Upper Magazine
CR-614	Cover Upper Magazine
CS-613	Case Upper Magazine
GL-151	Glass Magazine Cover and Case (3)
KN-47	Knob Magazine Cover
NU-15	Nut Magazine Latch Spring and Shank Fasten. Screw (2)
NU-75	Nut Glass Retaining Plate Fasten. Screw (10)
PC-588	Piece Magazine Latch Spring Distance (2)
PE-755	Plate Magazine Shaft Friction Disc (Inner)
PE-758	Plate Glass Retaining (Outer) (2)
PE-759	Plate Glass Retaining (Inner) (2)
PR-589	Protector Magazine Latch Spring and Shank
SC-45	Screw Glass Retaining Plate Fasten. (10)
SC-155	Screw Shaft Bushing and Ball Bearing Assy. Retain.
SC-783	Screw Friction Inner Disc Plate Fasten. (2)
SC-886	Screw Upper Magazine Mounting (4)
SC-957	Screw Arm, Hinge and Roller Holder Mount. (38)
SC-1143	Screw Magazine Latch Spring and Shank Fasten. (2)
SC-1356	Screw Cover Knob Fastening
SG-1144	Spring Glass Retaining (2)
WA-160	Washer Arm, Hinge and Roller Holder Mount Screw (38)
J1-U-11	UPPER MAGAZINE FRICTION SPRING, SHAFT, NUT & DISC ASSEMBLY
J1-U-15	Upper Magazine Shaft, Bushing and Ball Bearings
C1-U-24	Magazine Shaft Friction Spring Adjust. Nut
CL-206	Collar Friction Spring Adjusting
D1-80	Disc Upper Magazine Shaft Floating(Outer)
R1-215	Ring Ball Bearing Retaining
SC-961	Screw Friction Disc Locating
SG-1608	Spring Upper Magazine Friction Adjust. (Short)
ST-1503	Shaft Upper Magazine Friction Spring
WA-197	Washer Magazine Shaft Friction (Felt)
J1-U-15	UPPER MAGAZINE SHAFT BUSHING AND BALL BEARINGS
BG-133	Bearing Upper Magazine Shaft Ball (2)
BU-721	Bushing Upper Magazine Shaft Ball Bearing

Note: Lubricate Felt Friction Washer (WA-197) with a few drops of oil when necessary.

70/35 MM UPPER AND LOWER MAGAZINES
J1-U-10 and J3-W-10

CENTURY

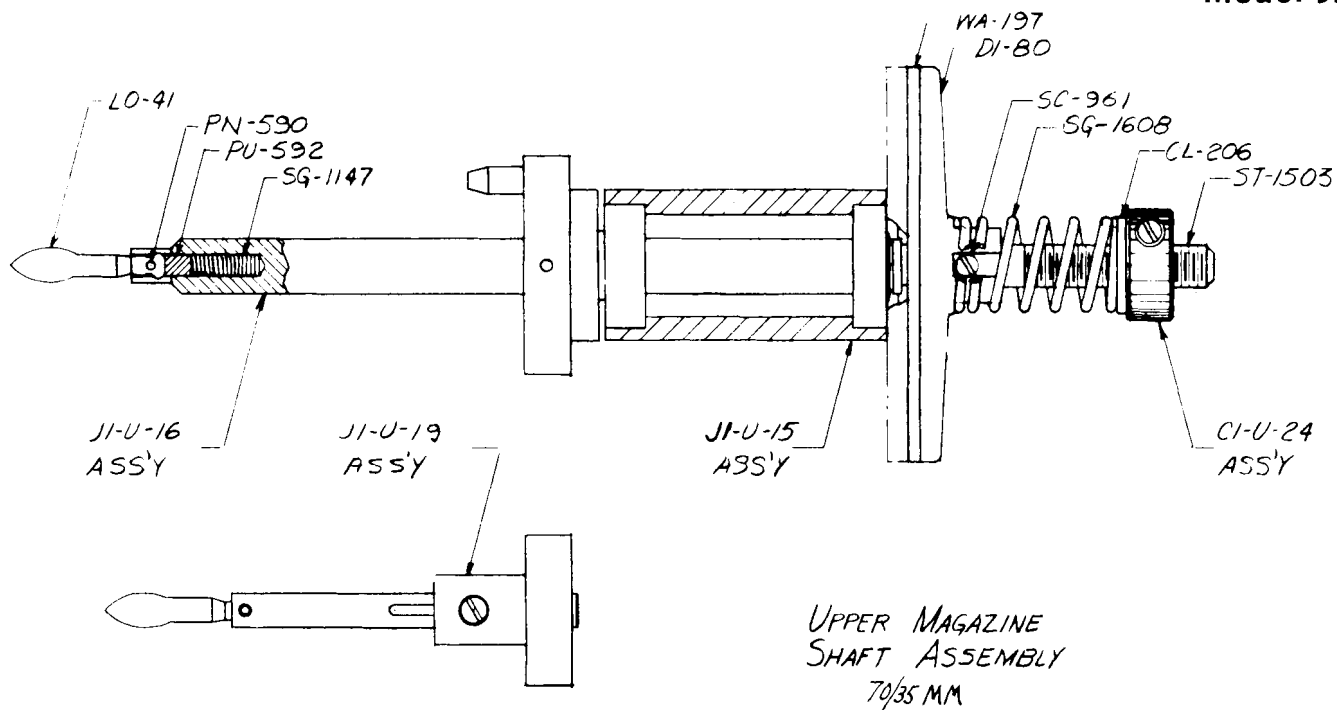
PART NO.	DESCRIPTION
J1-U-16	MAGAZINE REEL SHAFT, PIN AND LOCK ASSEMBLY (LARGE- $\frac{1}{2}$ ")
DI-73	Disc Magazine Reel Shaft (Includes PN-730 & ST-1502)
LO-41	Lock Magazine Shaft Reel
PN-277	Pin Disc and Shaft Fastening
PN-590	Pin Magazine Shaft Reel Lock Retaining
PN-730	Pin Reel Driving (Includes DI-73 & ST-1502)
PU-592	Plunger Magazine Shaft Reel Lock Spring
SG-1147	Spring Magazine Shaft Reel Lock
ST-1502	Shaft Magazine Reel (Incl. DI-73 & PN-730) (Large)
SC-1844	Screw Magazine Reel Shaft Assembly Mounting (4)
J1-U-17	UPPER MAGAZINE ROLLER HOLDER ASSEMBLY COMPLETE
J1-U-18	Magazine Film Guide Roller & Ball Bearings (2)
HO-84	Holder Upper Magazine Roller
SA-1500	Spacer Magazine Guide Roller (4)
SU-1501	Stud Magazine Guide Roller (2)
J1-U-18	MAGAZINE GUIDE ROLLER & BALL BEARINGS
BG-259	Bearing Guide Roller Ball (2)
RO-216	Roller Magazine Guide
J1-U-19	MAGAZINE REEL SHAFT, PIN AND LOCK ASSEMBLY (Stand .35MM REELS)
DI-74	Disc Magazine Reel Shaft Mounting
LO-41	Lock Magazine Shaft Reel
PN-590	Pin Magazine Shaft Reel Lock Retaining
PN-591	Pin Magazine Shaft Reel Drive
PU-592	Plunger Magazine Shaft Reel Lock Spring
SC-527	Screw Magazine Shaft to Disc Fastening
SG-1147	Spring Magazine Shaft Reel Lock
ST-1504	Shaft Magazine Reel (Stand 35 MM Reels)
J3-W-10	70/35 MM LOWER MAGAZINE ASSEMBLY (COMPLETE)
C1-U-13	Magazine Hinge and Pin
J1-U-16	Magazine Reel Shaft and Lock ($\frac{1}{2}$ " Large)
J1-U-19	Magazine Reel Shaft and Lock (Standard 35 MM Reel)
C1-U-23	Magazine Closing Latch Spring and Shank
J1-W-11	Magazine Take-Up Shaft Assembly
J3-W-17	Lower Magazine Roller Holder Assembly
AR-123	Arm Lower Magazine
CR-616	Cover Lower Magazine
CS-627	Case Lower Magazine
GL-151	Glass Magazine Cover (2)
KN-47	Knob Magazine Cover
NU-15	Nut Magazine Latch Spring & Shank Fast. Screw (2)
NU-75	Nut Glass Retain. Plate Fasten. Screw (10)
PC-588	Piece Latch Spring Distance (2)
PE-758	Plate Glass Retaining (Outer) (2)
PE-759	Plate Glass Retaining (Inner) (2)
PR-589	Protector Magazine Latch Spring and Shank

70/35 MM UPPER AND LOWER MAGAZINES
J1-U-10 and J3-W-10

CENTURY

PART NO.	DESCRIPTION
J3-W-10	70/35 MM LOWER MAGAZINE ASSEMBLY (CONTINUED)
SA-1552	Spacer Lower Magazine Arm (Offset Casting)
SA-1856	Spacer Lower Magazine Distance (2)
SC-45	Screw Glass Retaining Plate Fastening (10)
SC-155	Screw Shaft Bushing & Ball Bearing Assy. Retain.
SC-503	Screw Offset Spacer(Gear-Side)&Arm(Oper. Side)Fast.(4)
SC-957	Screw Magazine Arm, Hinge & Roller Holder Mount (38)
SC-1143	Screw Magazine Latch Spring and Shank Fasten. (2)
SC-1356	Screw Magazine Cover Knob Fasten
SC-1417	Screw Lower Magazine Spacer Fastening (Drive-Side)
WA-68	Washer Distance Spacer (SA-1856) Fasten. Screw
WA-160	Washer Arm, Hinge & Roller Holder Mount. Screw (38)
J1-W-11	LOWER MAGAZINE TAKE-UP SHAFT ASSEMBLY
J1-W-14	Take-Up Pulley, Ball Bearing and Retaining Ring
J1-W-15	Lower Magazine Shaft Bushing and Ball Bearings
Cl-U-24	Magazine Shaft Friction Spring Adjust. Nut
CL-206	Collar Friction Spring Adjusting
D1-80	Disc Lower Magazine Shaft Friction
R1-215	Ring Ball Bearing Retaining
SC-961	Screw Friction Disc Locate
SG-960	Spring Lower Magazine Take-Up Friction
ST-1505	Shaft Lower Magazine Take-Up
WA-197	Washer Magazine Shaft Friction (Felt)
 <u>NOTE;</u> Lubricate Felt Friction Washer (WA-197) with a few drops of oil when necessary.	
J1-W-14	TAKE-UP PULLEY AND BALL BEARINGS ASSEMBLY
BG-133	Bearing Take-Up Pulley Ball (2)
PY-729	Pulley Take-Up "V" Belt
R1-214	Ring Ball Bearing Retaining
SA-1499	Spacer Take-Up Pulley Ball Bearing
J1-W-15	LOWER MAGAZINE SHAFT BALL BEARINGS AND BUSHING
BG-133	Bearing Lower Magazine Shaft Ball (2)
BU-720	Bushing Lower Magazine Shaft Bearing
J3-W-17	LOWER MAGAZINE ROLLER HOLDER ASSEMBLY
J1-U-18	Magazine Film Guide Roller and Ball Bearings (2)
HO-87	Holder Lower Magazine Roller
SA-1500	Spacer Magazine Roller (4)
SU-1501	Stud Magazine Roller (2)
BE-742	BELT Take-Up V
 <u>NOTE:</u> THE BE-742 V BELT IS INSTALLED ON ITS UPPER PULLEY IN THE OPTICAL REPRODUCER AS SHIPPED BY THE FACTORY AND IS A COMPONENT OF THE SOUND REPRODUCER.	

Model JJ



NOTE: "ASS'Y" DENOTES AN ASSEMBLY NOT A PART. CONSULT PARTS BOOK FOR DESCRIPTION AND CODE NUMBERS OF COMPONENTS.

