

Film-Tech

The information contained in this Adobe Acrobat pdf file is provided at your own risk and good judgment.

These manuals are designed to facilitate the exchange of information related to cinema projection and film handling, with no warranties nor obligations from the authors, for qualified field service engineers.

If you are not a qualified technician, please make no adjustments to anything you may read about in these Adobe manual downloads.

www.film-tech.com

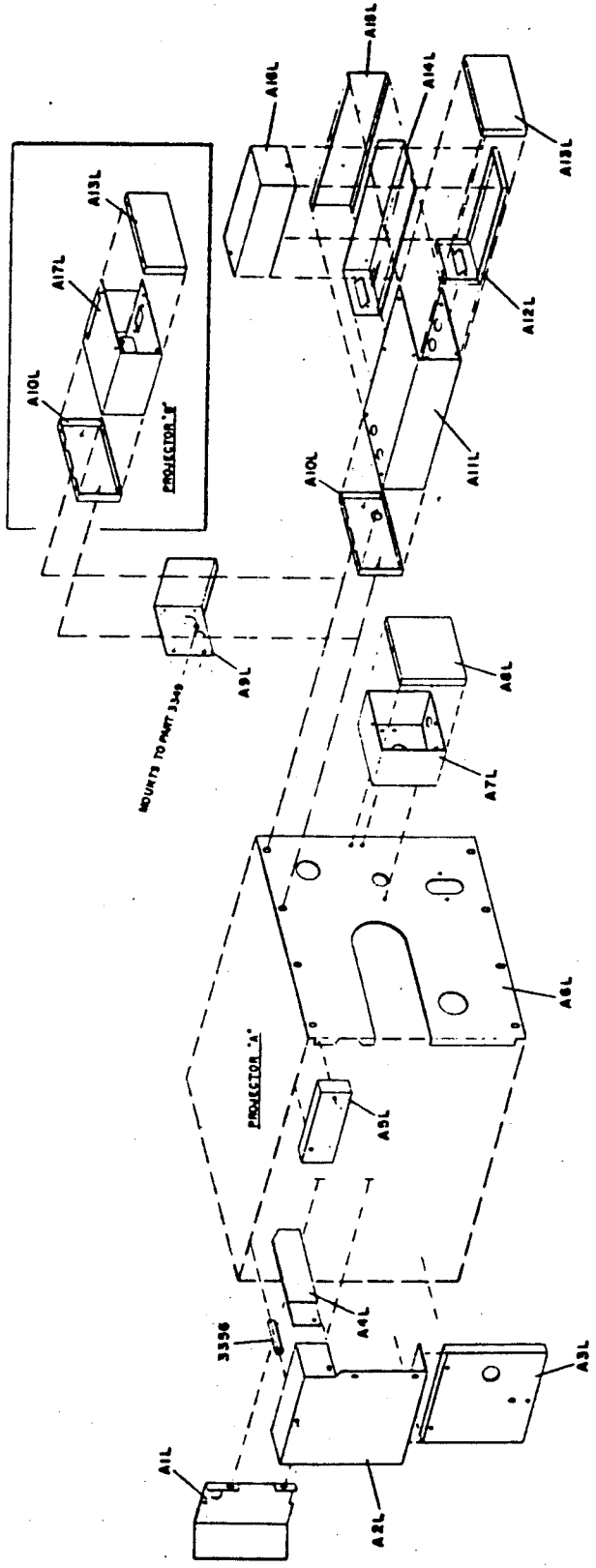
INSTRUCTIONS TO INSTALL LA-100 LENS/APERTURE CHANGER

1. REMOVE PRO-35 CASE COVERS, TOP PLATE, FILM TRAP, FILM GATE, AND 4" LENS HOLDER.
2. CLEAN PROJECTOR CENTER FRAME THOROUGHLY, ESPECIALLY WHERE NEW PARTS ARE BEING REPLACED.

INSTALL:

1. FILM TRAP W/FRAMING LAMP
2. APERTURE MOTOR MOUNT
3. 2-25/32 LENS HOLDER ON FOCUS BRACKET
4. TOP PLATE
5. LENS CARRIER BRACKET #3339
6. LINE UP #3336 WITH 2-25/32 LENS HOLDER WITH THE 4 LEVELING SCREWS
7. MOUNT FRONT COVER PANEL - AT SAME TIME, MOUNT #A10L BRACKET
8. HOOK UP PROJECTOR MOTOR
9. MOUNT CONTROL UNIT #A11L
10. COMPLETE WIRING OF APERTURE MOTOR AND LENS CARRIAGE MOTOR
11. INSTALL SPACER #3356 AND MOUNT A2L COVER
12. MOUNT REMAINING COVER PANELS AND FOCUS KNOB
13. BRING 110V AC TO TERMINALS 1 & 2
14. PUSH BUTTON TO OPERATE MANUALLY
15. USE LA-100 SENSING ROLLER FOR AUTOMATIC OPERATION

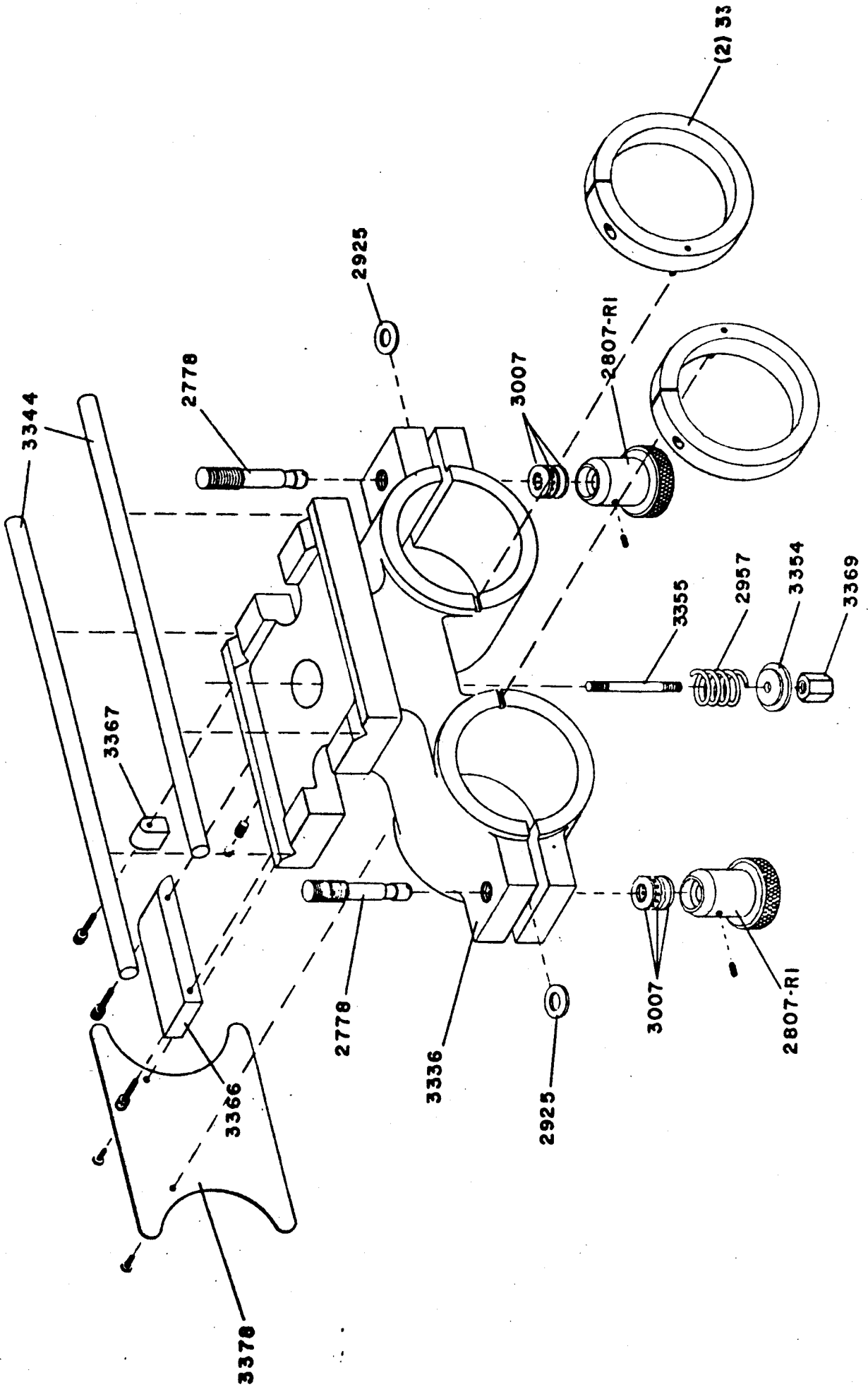
MAY 1976

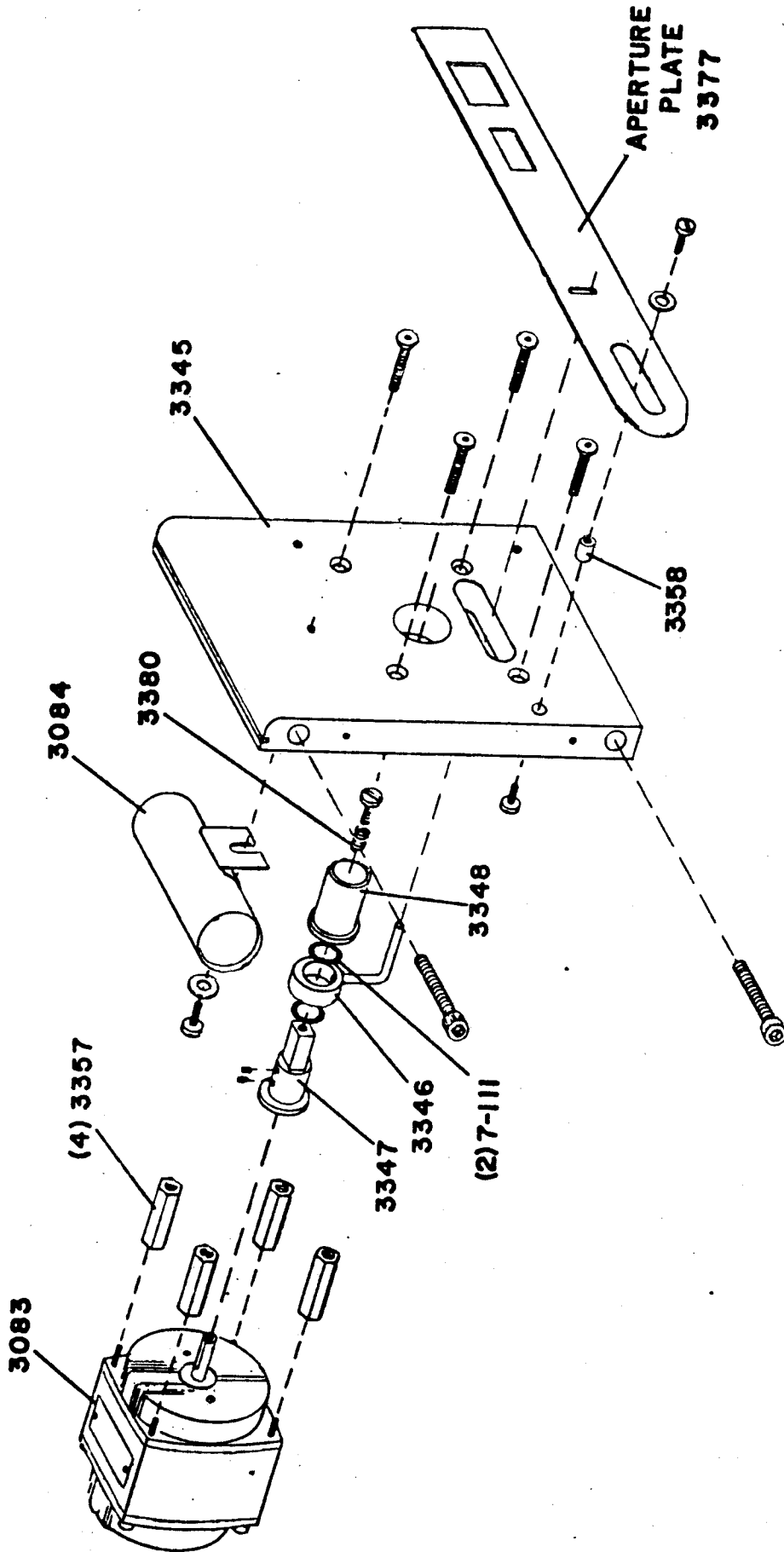


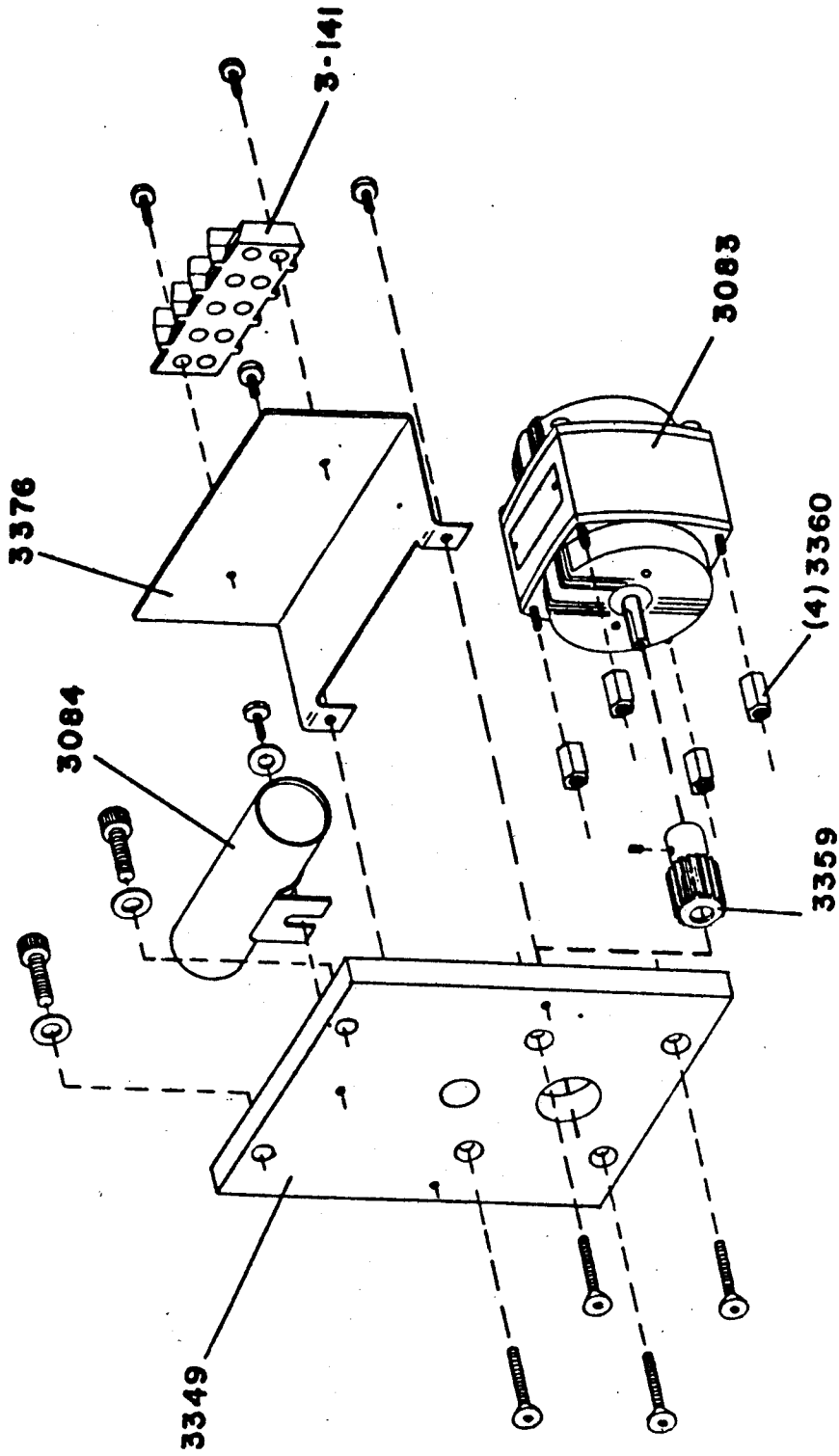
BALLANTYNE & CRAMER, INC.
 1774 JEFFERSON STREET
 PHOENIX 44-0000
 CHANDLER, ARIZONA

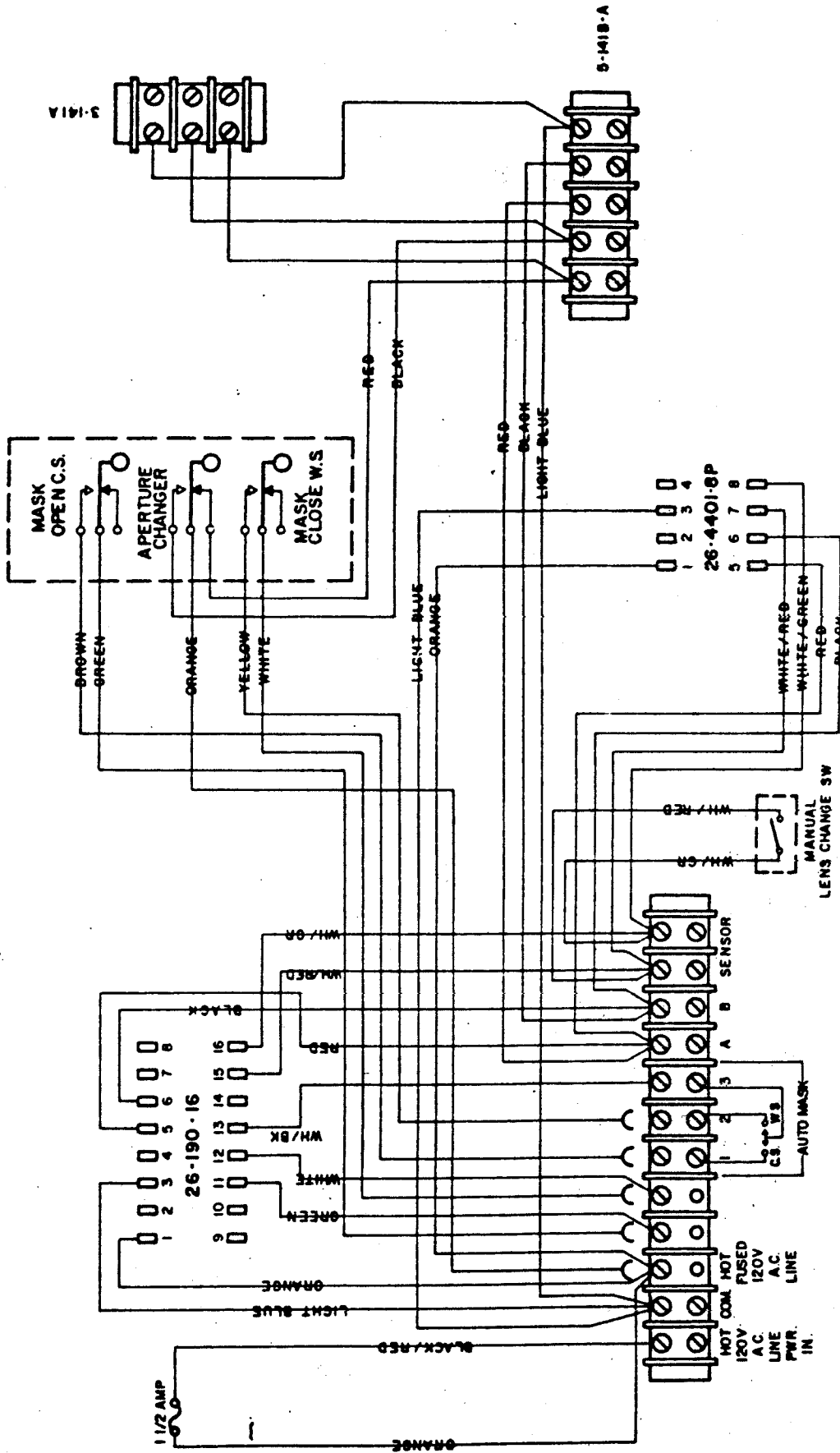
AUTOMATED LENS CABINET LAYOUT

FORM NO. 3358
 DATE 11/17/58
 REVISION 01







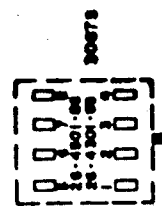
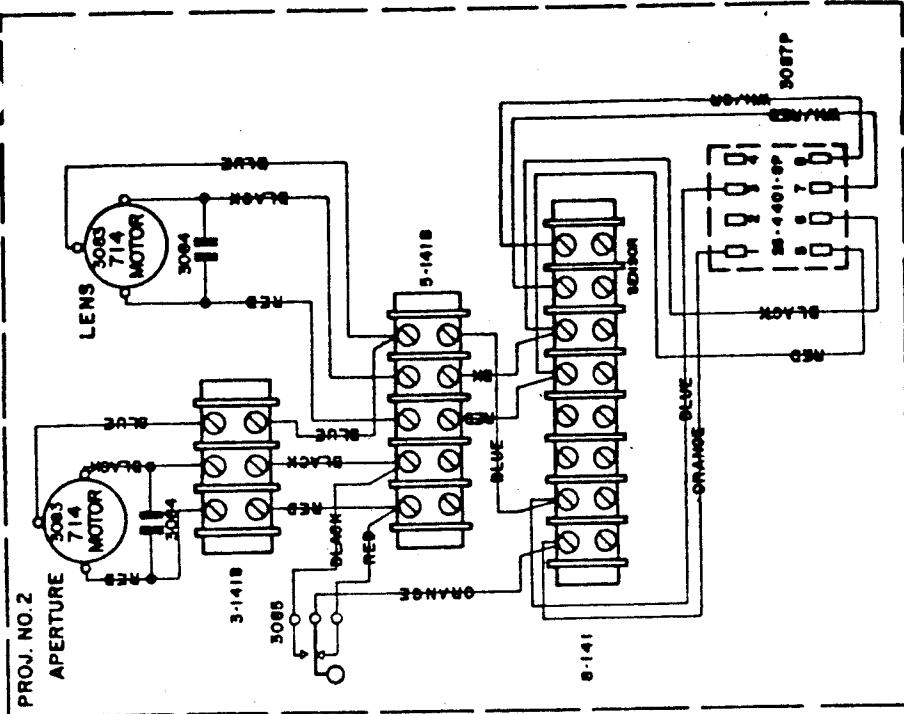


BALLANTYNE OF OHAMA, INC.
 1712 JACKSON STREET
 TELEPHONE 542-1444
 OHAMA, NEBRASKA

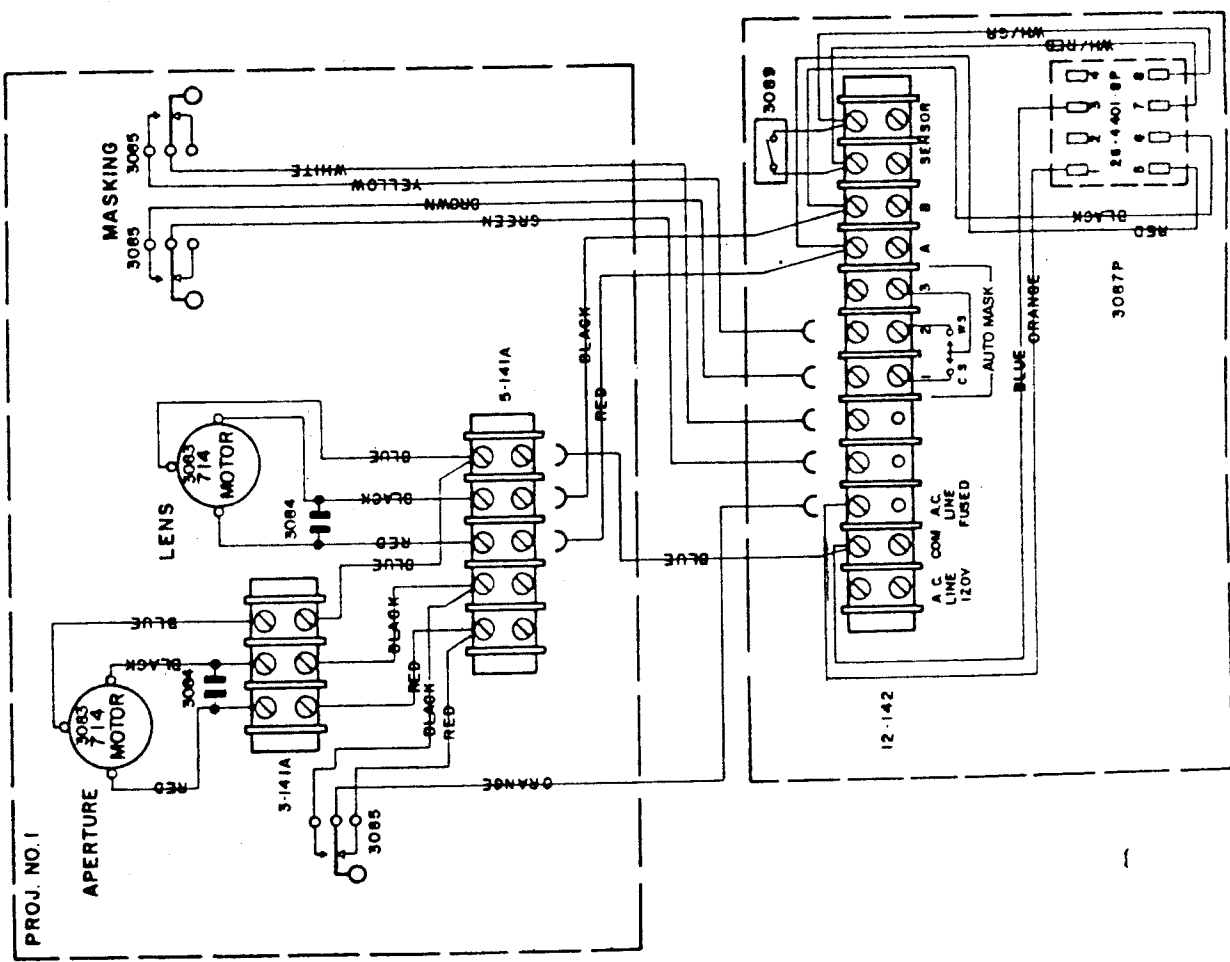
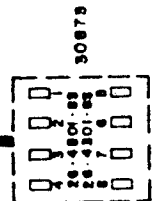
WIRING DIAGRAM FOR L/A-100

SCALE: DRAWING BY: J.M.P.
 DATE: 12/19/73
 REVISED: 12/19/73

W/O SC
 L.S.T. 1/5-7
 77



CABLE SOCKETS WIRED
1 TO 1, 3 TO 3, 5 TO 5, 6 TO 6
7 TO 7, 8 TO 8.

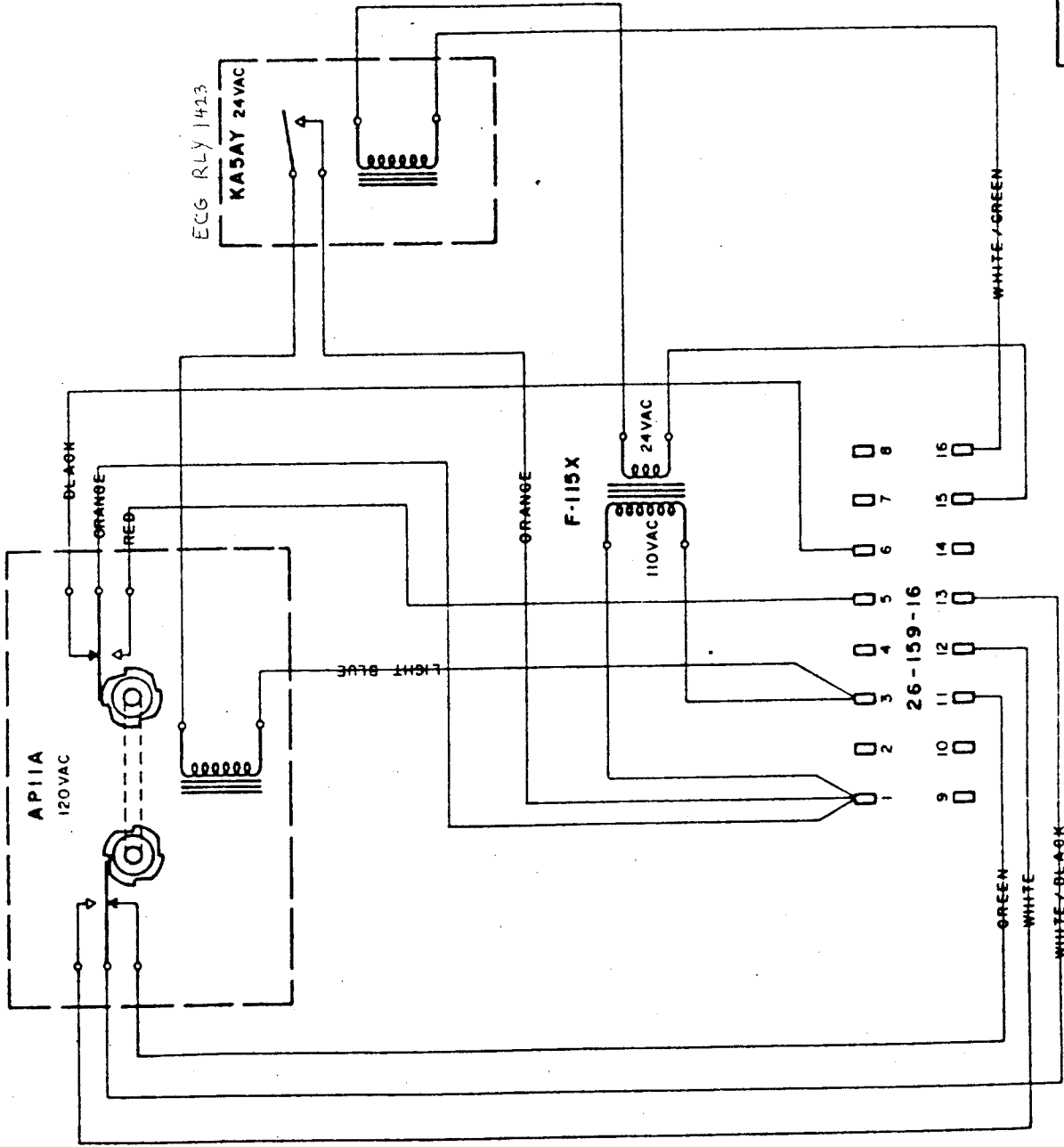


BALLANTYNE of OHARA, INC.
OHAMA, MD.
1712 JACKSON STREET
TELEPHONE 342-1444

L/A 100 LENS APERTURE CHANGE

SCALE: DRAWING NO. 3374
DATE: 8/13/73

DESIGNED BY: L.W.F.
REVISED



NOTE:

- #1 KASAY PULSES WITH SENSING TAPE ON FILM
- #2 KASAY CONTACT CLOSURE
- #3 APIIA STEP RELAY
- #4 APIIA POSITION #1
- ORANGE & BLACK } CLOSED
- WHITE/BLACK & GREEN }
- #4 APIIA POSITION #2
- ORANGE & RED } CLOSED
- WHITE/BLACK & WHITE }

BALLANTYNE OF OMAHA, INC
 1717 JACKSON STREET
 OMAHA, NEB.
 TELEPHONE 342-0444

PLUG-IN RELAY MODULE

SCALE _____ DRAWING NUMBER **33** DESIGNED BY **LWP**
 DATE **12/18/73** REVISION