

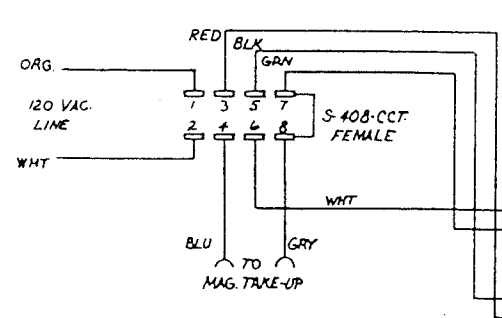
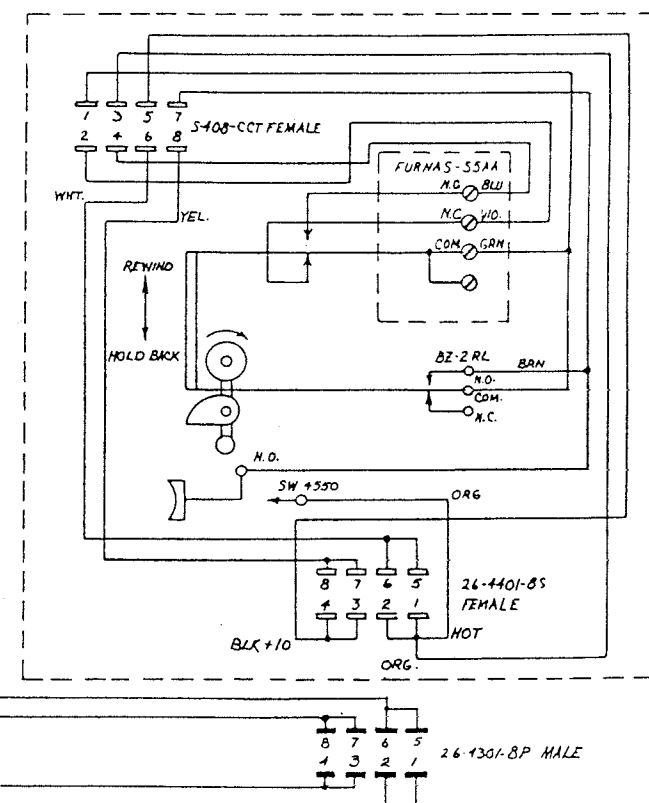
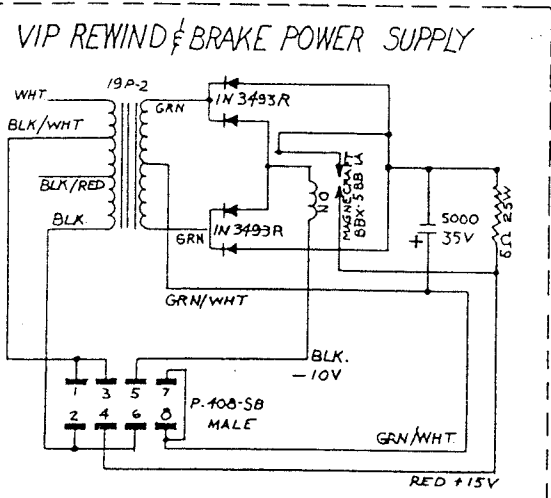
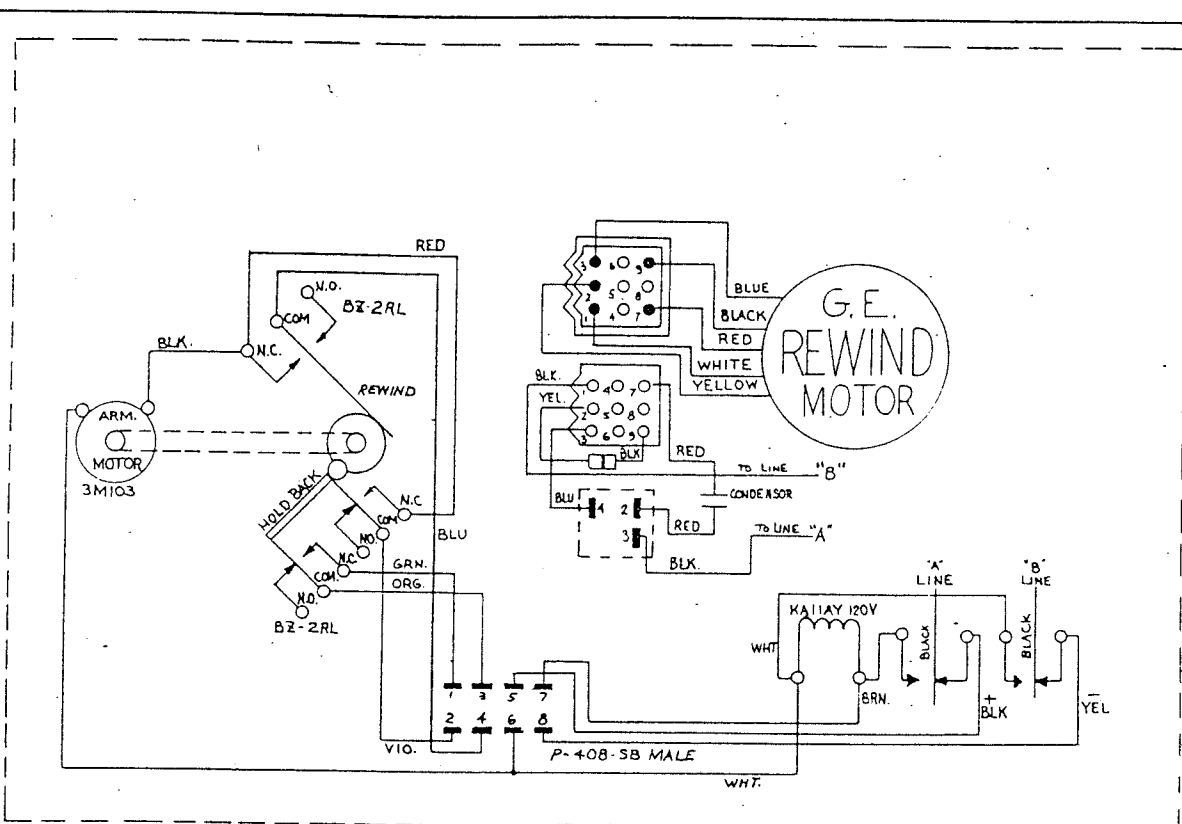
# Film-Tech

The information contained in this Adobe Acrobat pdf file is provided at your own risk and good judgment.

These manuals are designed to facilitate the exchange of information related to cinema projection and film handling, with no warranties nor obligations from the authors, for qualified field service engineers.

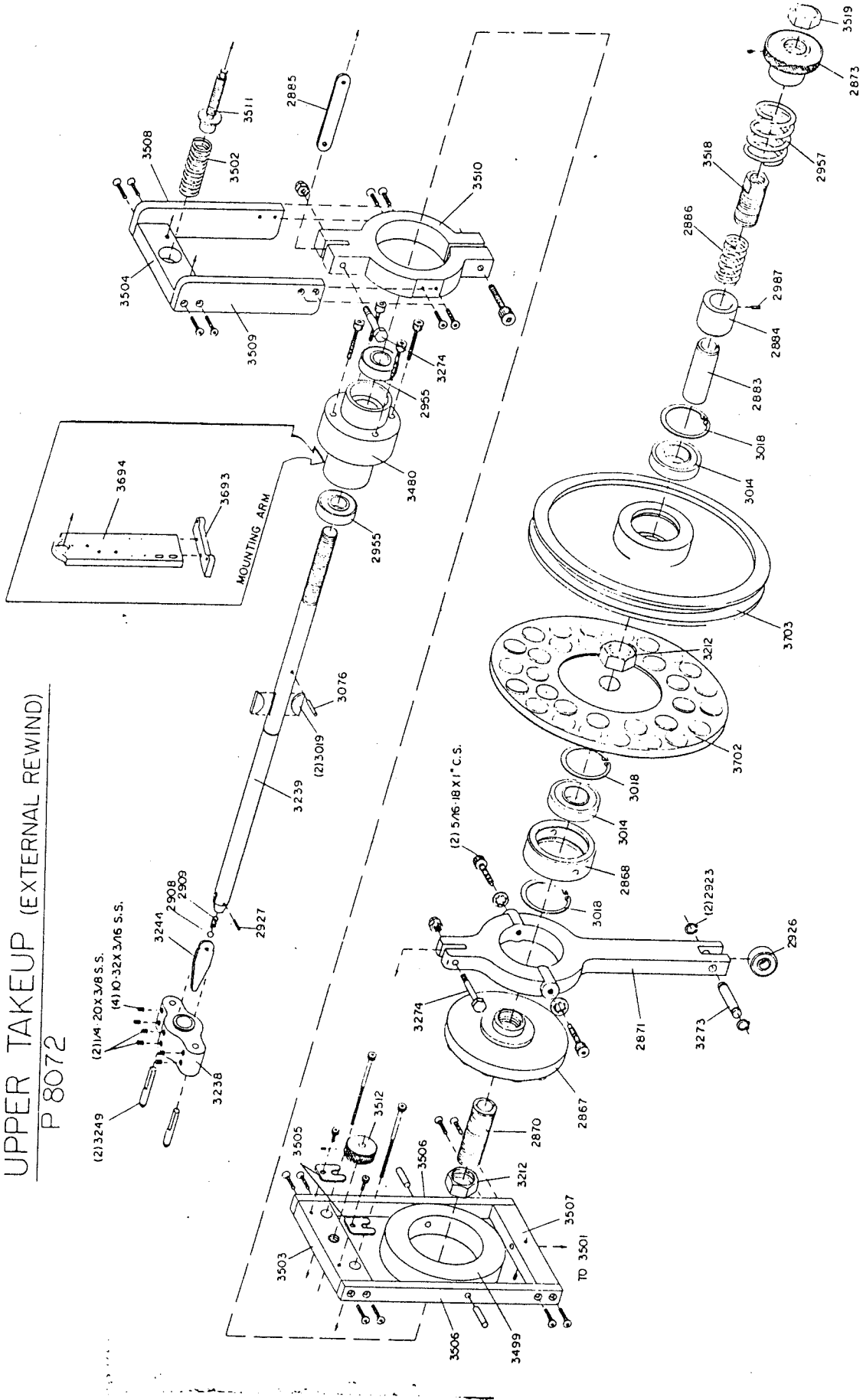
If you are not a qualified technician, please make no adjustments to anything you may read about in these Adobe manual downloads.

[www.film-tech.com](http://www.film-tech.com)



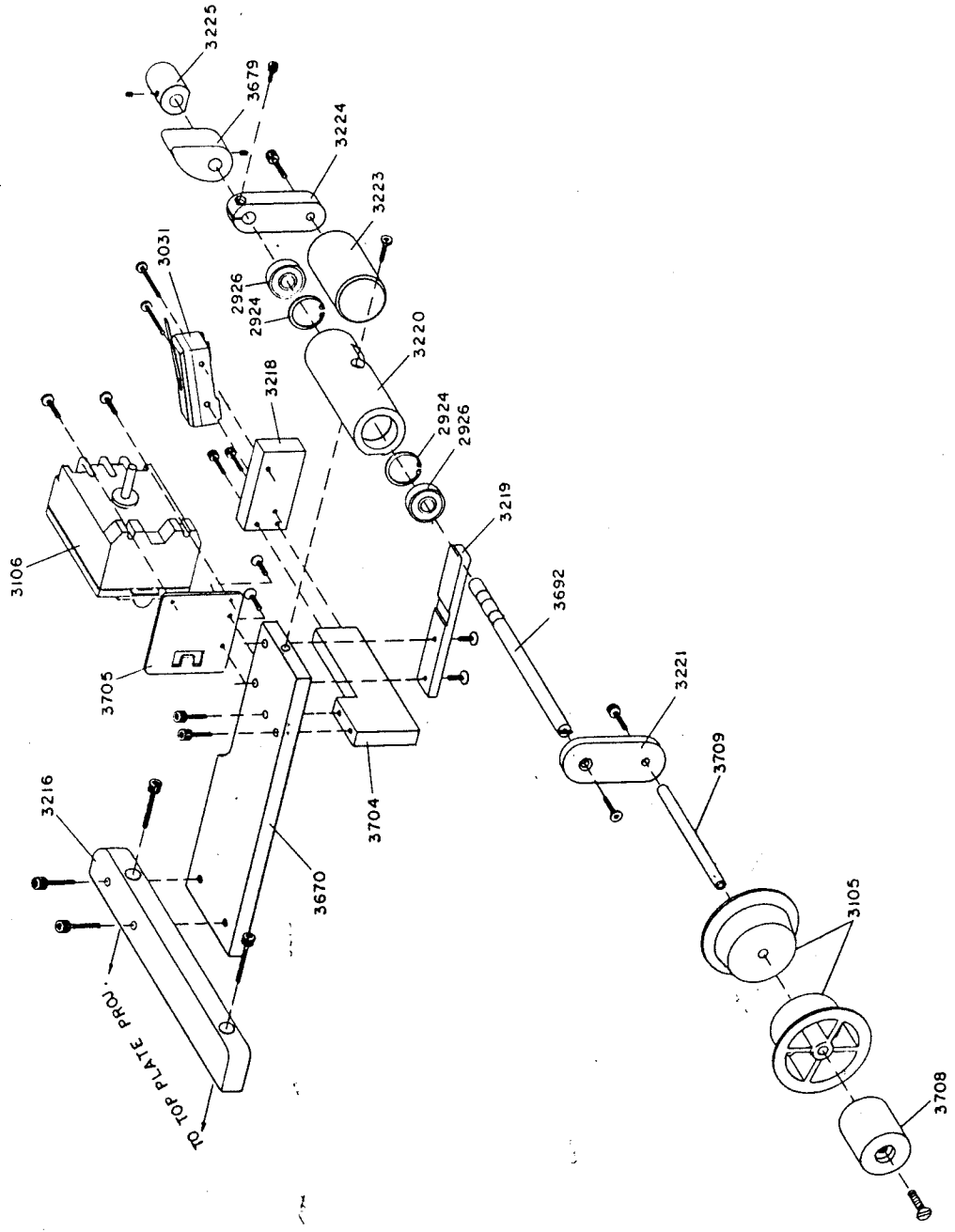
REVISION 10-28-80 BODINE MOTOR DELATED	<b>BALLANTYNE</b> OF OMAHA, INC.		
REVISION 7-21-80 TO SHOW CHOISE BETWEEN GE 1 BODINE	1712 JACKSON ST.	PHONE NO. 342-4444	
REVISION 5-15-80 FOR REWIND DRAG IN REWIND MODE	FX-30 EXTERNAL REWIND		
DRAWN BY DEB-CKD MJB	SCALE NONE	DRAWING NO. 3659	ORN BY BILL YEOP
	DATE 10-13-79		REV. DON FROCKS

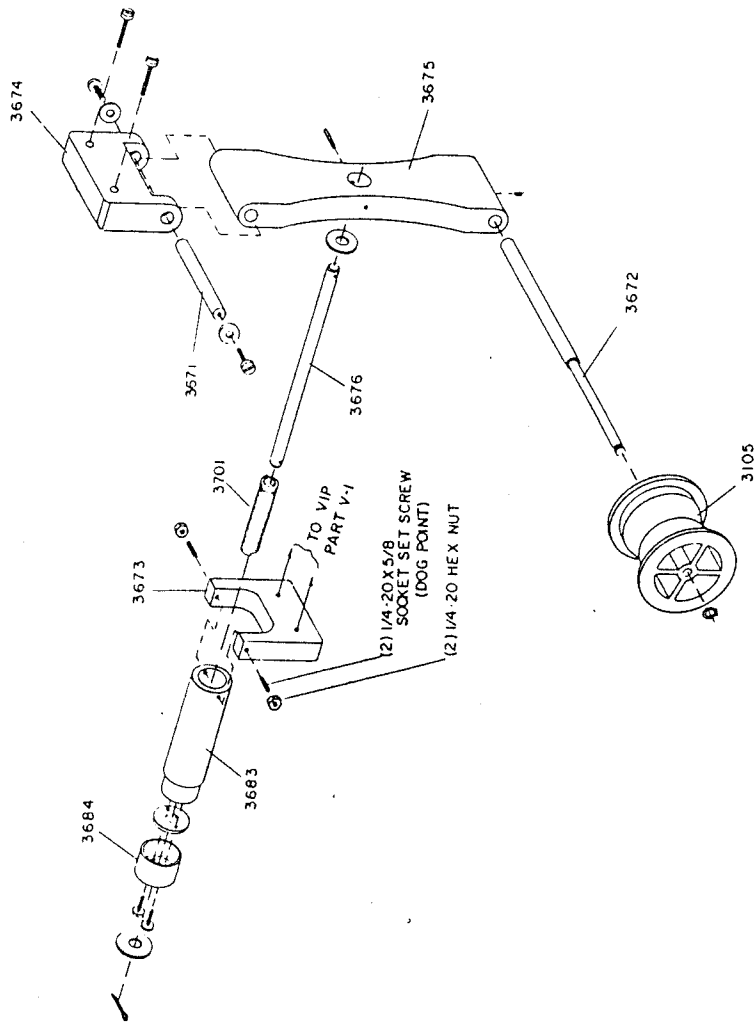
UPPER TAKEUP (EXTERNAL REWIND)  
P 8072



P8080

Dr # 4114 *SSJ* 2/24/77





**BALL & WYNE** of OMAHA, INC.

1712 JACKSON STREET  
 TELEPHONE 342-4444  
 OMAHA, NEBRASKA

ASSEMBLY P 8082

SCALE \_\_\_\_\_ DRAWING NO. 115  
 DATE 7/1/53

DRAWN BY  
 REVISED