

Film-Tech

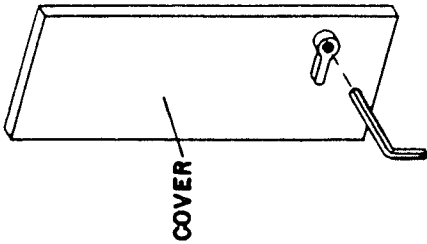
The information contained in this Adobe Acrobat pdf file is provided at your own risk and good judgment.

These manuals are designed to facilitate the exchange of information related to cinema projection and film handling, with no warranties nor obligations from the authors, for qualified field service engineers.

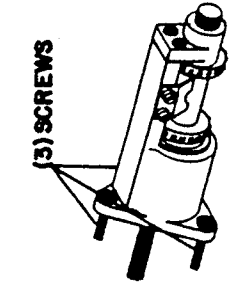
If you are not a qualified technician, please make no adjustments to anything you may read about in these Adobe manual downloads.

www.film-tech.com

TO CHANGE COUPLING

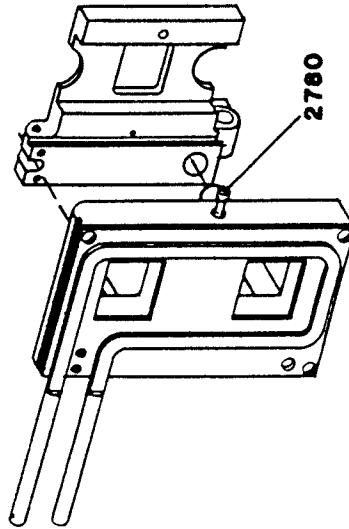


- ① DRAIN OIL
- ② REMOVE FRAMING HANDLE AND COVER
- ③ REPLACE FRAMING HANDLE
- ④ REMOVE FILM GATE



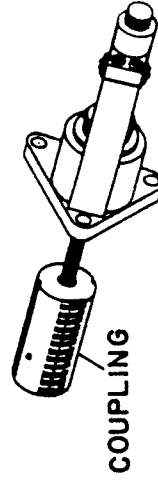
- ⑦ REMOVE THREE SCREWS & SHIELD AND WHILE MOVING FRAMING HANDLE, PULL SPROCKET ASSEMBLY TOWARD YOU.
- ⑧ COUPLING MAY COME OUT WITH SPROCKET ASSEMBLY. IF NOT, TURN FRAMING HANDLE SO COUPLING COMES FORWARD AND REMOVE WITH FINGERS.

- ⑤ LOOSEN SCREW 2780 AND REMOVE TRAP AND GATE SUPPORT. TRAP IS CENTERED ON DOWEL PINS AND REQUIRES REASONABLE PULL TO REMOVE.

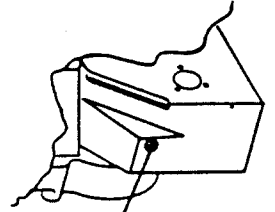


- ⑥ LOOSEN SCREW B ON REAR OF FRAME 1/4 TURN.

- ⑨ TAKE CAREFUL NOTICE OF THE END OF THE COUPLING AND PUT IT BACK ON THE SPROCKET SHAFT, EXACTLY AS IT CAME OFF. DO THIS SEVERAL TIMES TO GET THE "FEEL" OF THE FIT.
- ⑩ PUT THE COUPLING ON THE SPROCKET SHAFT AND PUSH BACK IN FRAME. ROTATE SPROCKET BACK AND FORTH TO ALIGN SPLEEN TO STAR SHAFT SPLEEN. IT WILL GO ON SHAFT WITH SAME "FEEL" AS ⑨ ABOVE. MAKE CERTAIN RACK TEETH FACE SHUTTER AND ARE VERTICAL.



- ⑪ REPLACE ALL SCREWS AND REMOVED PARTS.
- ⑫ TIGHTEN SCREW B SO FRAMING HANDLE IS SNUG.



RE-TIME SHUTTER — SEE INSTRUCTION SHEET ON SHUTTER TIMING