

Film-Tech

The information contained in this Adobe Acrobat pdf file is provided at your own risk and good judgment.

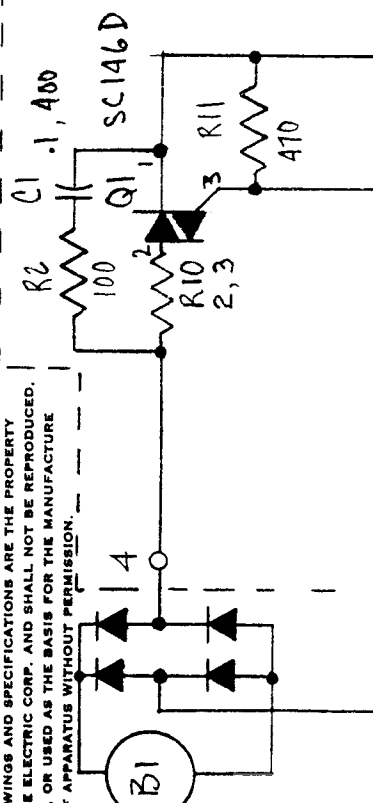
These manuals are designed to facilitate the exchange of information related to cinema projection and film handling, with no warranties nor obligations from the authors, for qualified field service engineers.

If you are not a qualified technician, please make no adjustments to anything you may read about in these Adobe manual downloads

www.film-tech.com

THESE DRAWINGS AND SPECIFICATIONS ARE THE PROPERTY OF CHRISTIE ELECTRIC CORP. AND SHALL NOT BE REPRODUCED, OR COPIED, OR USED AS THE BASIS FOR THE MANUFACTURE OR SALE OF APPARATUS WITHOUT PERMISSION.

DRIVE MOTOR

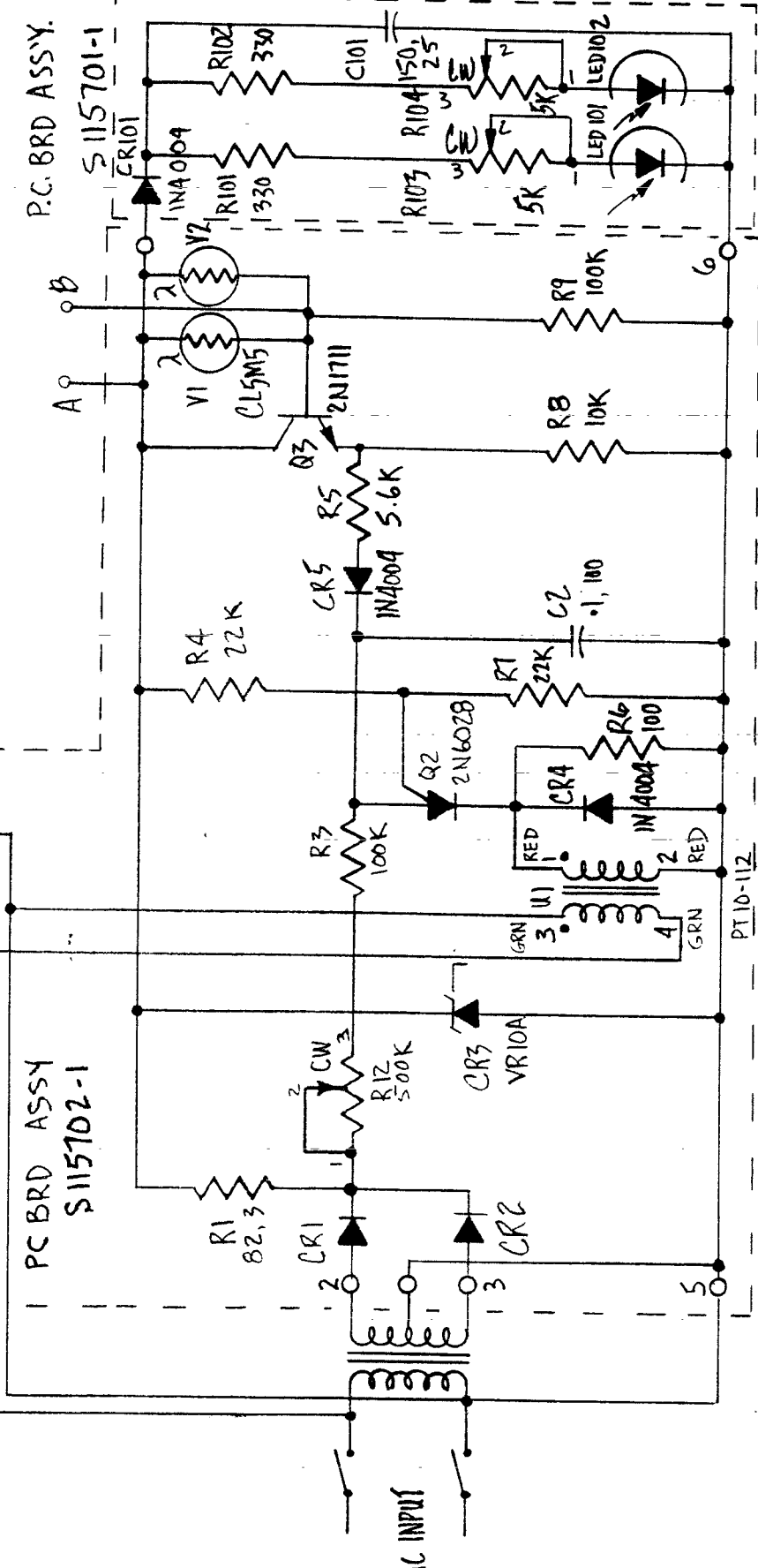


FOR INTERNAL USE ONLY

AW-2 PLATTER

MODULE ASSY PT. NO. S115910-1 (60 HZ)
S115911-1 (50 HZ)

PC BRD ASSY S115702-1



DATE	16 APR 82 14	REV. NO.	S115910	REV.	C
CHECKED	<i>[Signature]</i>	DWG. NO.	S115910		
APP'D	<i>[Signature]</i>	DATE DR.			
SUPPERSEDES		APPD.			
USED ON	ANTOJIND				
	S115910				
	S115911				
	ANTOJIND				
	SCHEMATIC - MODULE ASSY				
	10550 CAMDEN DRIVE				
	CYPRESS, CALIFORNIA 90630-4726				
	(714) 236-8610 • FAX (714) 229-3185				
	CHRISTIE				
	SHEET				
	OF				
	1				

PT10-112

REV. C

SHEET

OF

1

1

1

1

1

1

1

1

1

1

1

1

1

1

1

1

1

1

1

1

1

1

1

1

1

1

1

1

1

1

1

1

1

1

1

1

1

1

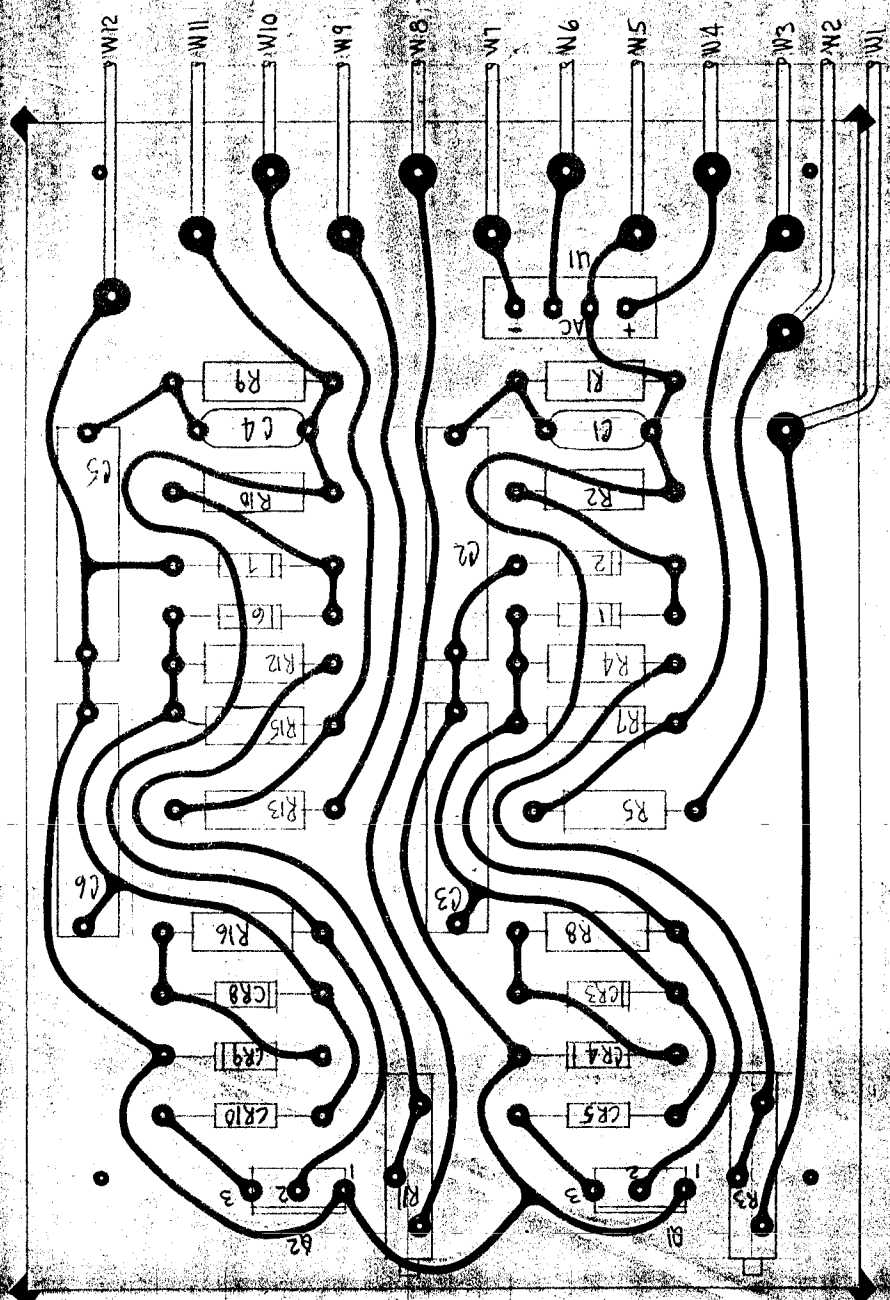
THESE DRAWINGS AND SPECIFICATIONS ARE THE PROPERTY OF CHRISTIE ELECTRIC CORP. AND SHALL NOT BE REPRODUCED OR COPIED IN ANY MANNER WITHOUT PERMISSION OR SALE OF APPARATUS WITHOUT PERMISSION.

VIEW SHOWN WITH CONDUCTIVE SIDE DOWN
 2- REFERENCE DESIGNATIONS (R1, R2 ETC.) ARE FOR REFERENCE ONLY. THIS PCB BOARD DOES NOT REQUIRE A LEGEND SCREEN.

SYN	REV	PER	ECO	DATE	BY
D	REV	PER	ECO	12/27/82	JKW
E	REV	PER	ECO	1-5-83	JKW
F	REV	PER	ECO	10-6-83	JKW

WIRE LIST

WIRE NO.	LGTH	WIRE SIZE
W1	20"	22 AWG
W2	14 1/2"	
W3	14 1/2"	
W5	11"	
W8	19"	
W9	17"	
W10	17"	
W4	6"	
W6	17"	
W7	14 1/2"	
W11	14 1/2"	
W12	9 1/2"	



SEE SEPARATE PARTS LIST PL-S1155031

QTY.	ITEM	PART NUMBER	DESCRIPTION	REMARKS
				DRAWN: JKW DATE: 12-27-82 CHECKED: [Signature] REVISED: [Signature]
2			CHRISTIE CORPORATION 10550 CAMDEN DRIVE CYPRESS, CALIFORNIA 90630-4726 (714) 236-8610 - FAX (714) 239-3185	
			PRINTED WIRING BOARD	
			NONE	
				REV: F

TOLERANCES UNLESS OTHERWISE SPECIFIED
 FRACTIONS .030
 DECIMALS .005
 ANGLES .001
 BEND RADIUS 1/4"
 HOLE SIZES .0017/0003

S 11503 REV. F
 SPEED CONTROL BOARD INSIDE MAKEUP TABLE

REG.#		ASSEMBLY NAME		PRINTED WIRING ASSEMBLY - MAKE-UP TABLE CONTROL										MODEL #		DATE REQ'D	
W.O.#		PART NAME		QTY	QTY	QTY	QTY	QTY	QTY	QTY	QTY	QTY	QTY	PER EACH PART NO. LABOR HRS.	PER ASSY MAT. \$	PER ASSY HRS.	TOTAL \$
1	M115504-1	PRINTED WIRING BOARD															
2	530647-804	C280-CF/A47K	C1,4	1													
3	530622-705	CAPACITOR - Polycarb .047 uf., 400V.	C2,3,5,6	2													
4	541146-003	MMK TYPE															
5	541900-001	CAPACITOR - .22 uf., 400V.	CRI,2,3,4,6,7,8,9	4													
6	555910-102	IN4004	CR5,10	8													
7	555153-103	DIODE - Sil. 400V., 1A.		2													
8	555392-102	ST2 Diac															
9	555474-103	DIODE - Sil., 200 MA.															
10	565025-201	RL20S910J	R1,9	2													
11	541530-403	RESISTOR -Fixed, 91 ohm., 0.5w., 5% film	R2,8,10,16	2													
12	541148-002	RESISTOR -Fixed, 15K ohm., 0.5w., 5% film	R4,7,12,15	4													
13	H115526-1	RESISTOR -Fixed, 3.9K ohm., 0.5w., 5% film	R5,13	4													
14		RESISTOR -Fixed, 470K ohm., 0.5w., 5% film		2													
15		3006P-1-204		2													
16		RESISTOR -Var. 200K ohm., 1W., 10%	R3,11	2													
17		SC146D 2N6343A	Q1,2	2													
18		TRIAC (G.E. OR MOTOROLA) - 400V.		2													
19		FWLD600 or FWLD400	U1	1													
20		DIODE - Bridge, 600V., 6A.		1													
21		HARNESS P/C ASSEMBLY		1													
NEXT ASSEMBLY - S115528-1																	
A	5/11/73	B	14707	C	6/6/73	D	14714	E	7/12/73	PREPARED	POSTED	MAT. ISSUED	CORRECTED				
REV	ECO	REV	ECO	REV	ECO	REV	ECO	REV	ECO	REV.K	BY L 16260	BY	DATE				
F	3/12/74	G	7/1/74	H	10/30/74	I	11/21/74	J	12/6/74	DATE 4/22/75	DATE N 17189	DATE	DATE				