

# Film-Tech

The information contained in this Adobe Acrobat pdf file is provided at your own risk and good judgment.

These manuals are designed to facilitate the exchange of information related to cinema projection and film handling, with no warranties nor obligations from the authors, for qualified field service engineers.

If you are not a qualified technician, please make no adjustments to anything you may read about in these Adobe manual downloads.

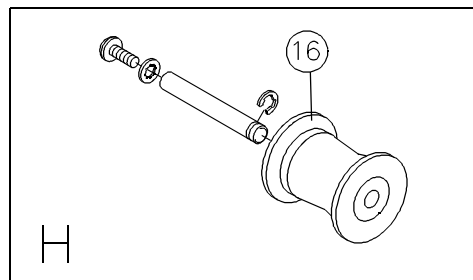
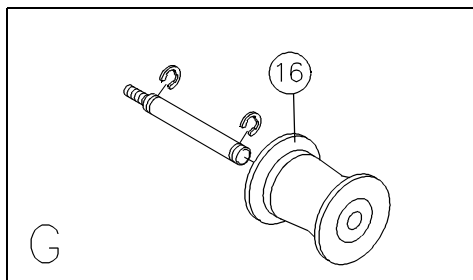
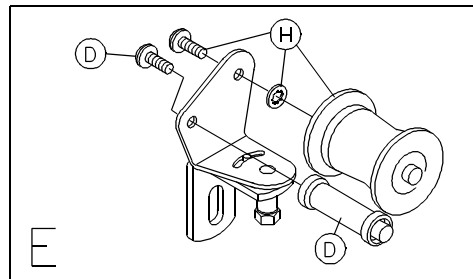
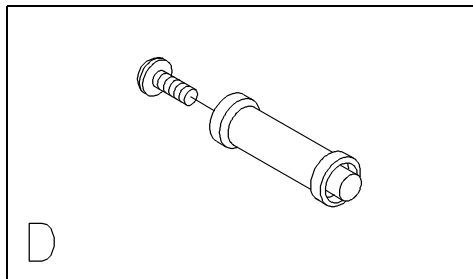
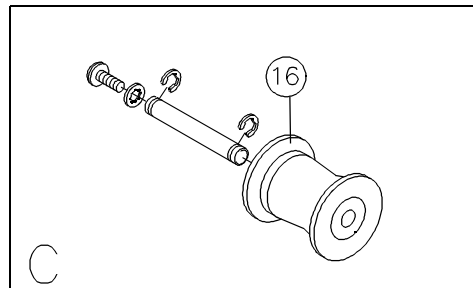
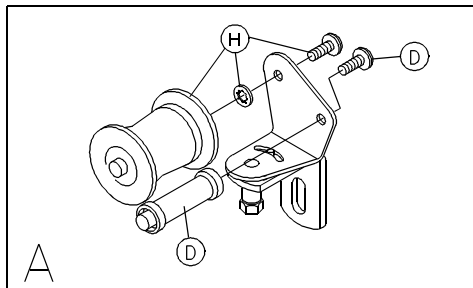
[www.film-tech.com](http://www.film-tech.com)

# AP 5-Deck Parts Manual

PRODUCT INFORMATION BULLETIN #3765

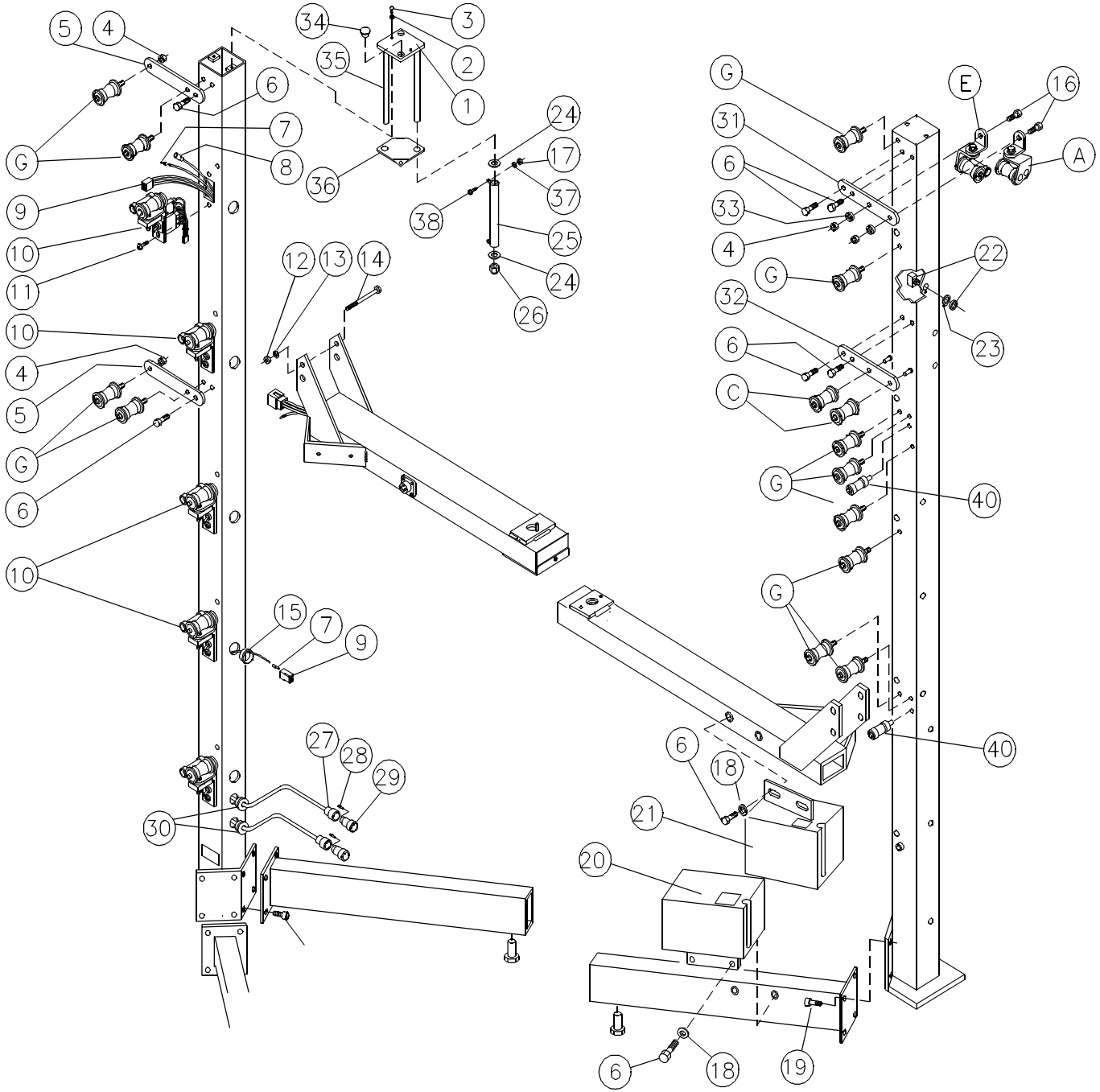
Record Platter System Identification Numbers Here:

Model # \_\_\_\_\_ Serial # \_\_\_\_\_



## COMMON PULLEY ASSEMBLIES

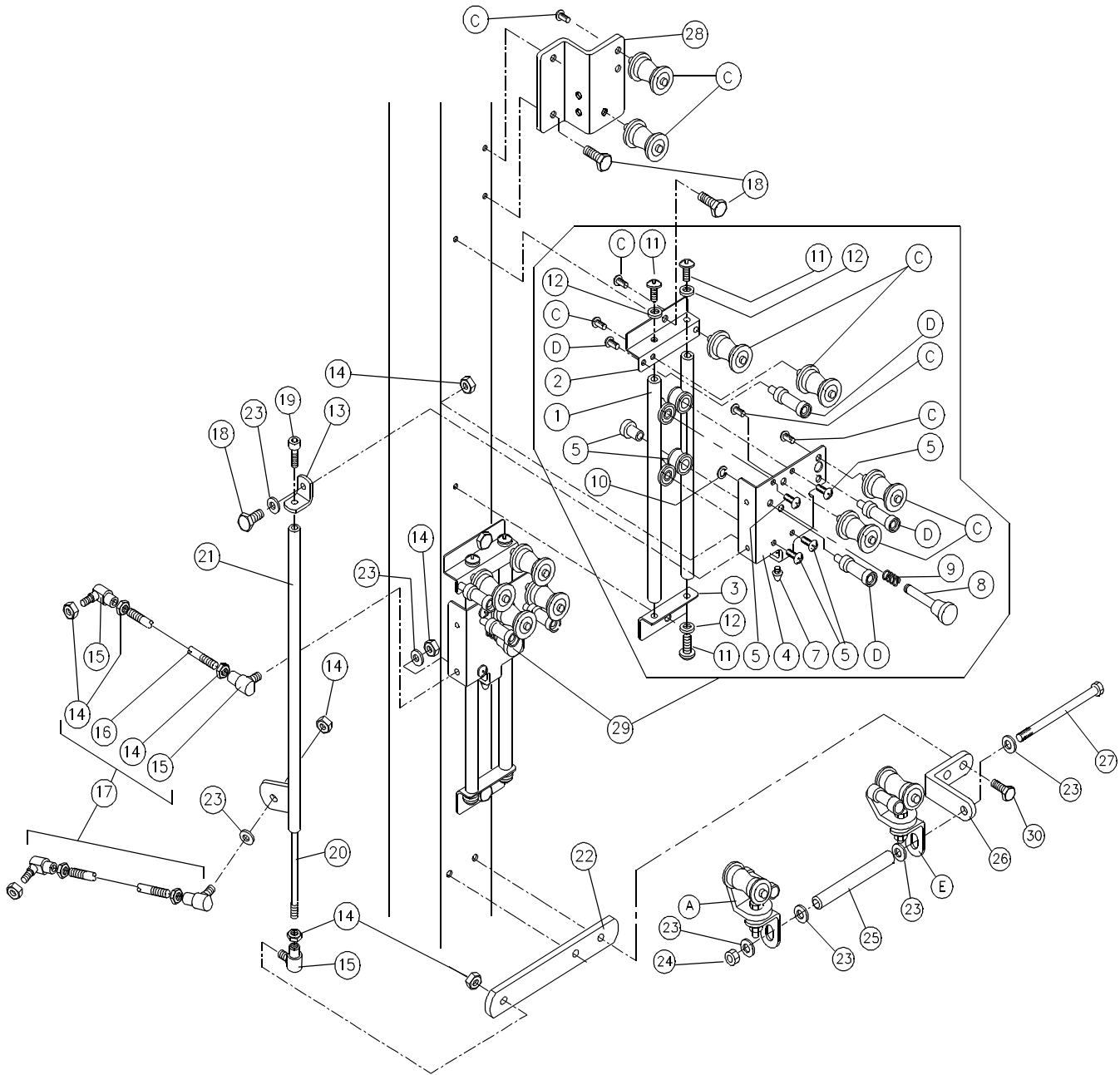
- A) 2604 Castor Swivel Assy-Left 35mm
- C) 1447 Pulley Shaft #6 & Pulley Assy. 35mm
- D) 2602 Keeper Shaft & Spool Assy.
- E) 1505 Castor Swivel Assy-Right 35mm
- G) 1504 Column Shaft & Pulley Assy. 35mm
- H) 1774 Pulley Shaft #5 & Pulley Assy. 35mm
- 16) 2881 Pulley 35mm 5/16" ID



**AP 5 Column Parts**

### AP 5 Column Parts

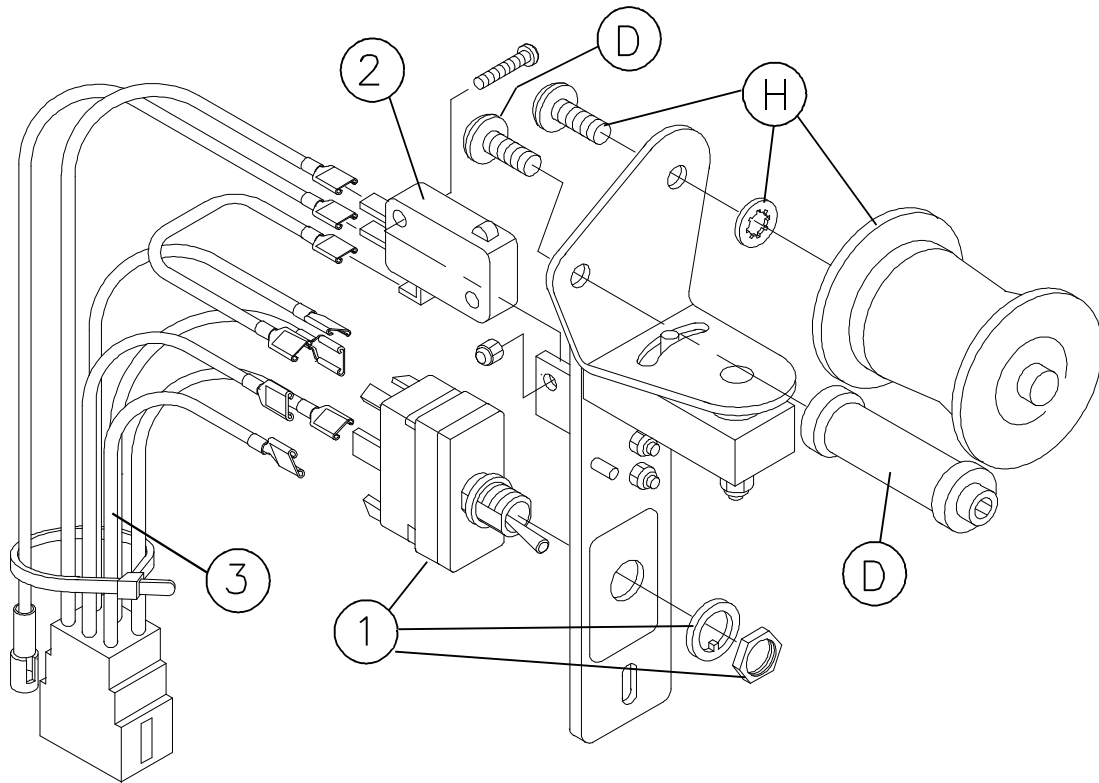
A) 2604	Castor Swivel Assy. Left	20) 2526	Variac Assy. 5-Deck- Leg Mount
C) 1447	Pulley Shaft #6 & Pulley Assy.	21) 3415	Variac Assy 5-Deck- Arm Mount
E) 1505	Castor Swivel Assy, Right	22) 1012	Toggle Switch, DPDT ON-OFF-ON
G) 1504	Column Shaft & Pulley Assy.	23) 1081	Washer Switch Keyed
1) 1537	Column End Cap, AP 5	24) 1635	Resistor Locating Cup
2) 1075	Flatwasher, #10	25) 1145	Resistor, 2 Ohm, 100 Watt
3) 1072	Screw PTH 10-32 x 1/2"	26) 2395	Locknut, Nylon Insert 1/4-20
4) 1088	Locknut, Nylon Insert, 1/4-28	27) 2071	Clamp Cable #13
5) 1168	Column Feed Pulley Bracket	28) 2063	Socket CPC
6) 1055	HHCS 1/4-28 x 1/2"	29) 2078	Plug, 9-pin
7) 1709	Socket CPS	30) 1803	Strain Relief, 5/8 x .156
8) 1836	Receptacle, 1 Circuit CPS	31) 1328	Column Twin Castor Bracket
9) 1840	Receptacle, 6 Circuit CPS	32) 1329	Column Twin Pulley Bracket
10) 1659	Feed Castor Assembly, A.P.	33) 1076	Flatwasher 1/4"
11) 1071	Screw PTH 10-32 x 3/8"	34) 1224	Hole Plug 5/8"
12) 1090	Hex Nut, 5/16"-1813)	35) 1636	Column End Cap Rod
13) 1080	Lockwasher, 5/16"-Split Ring	36) 3624	Column Resistor Shield
14) 1062	HHCS 5/16-18 x 5"	37) 1138	Lockwasher-#6 Internal Tooth
15) 1179	Bushing, Open/Closed 7/8"	38) 1065	Screw PTH 6-32 x 1/4"
16) 1056	HHCS 1/4-28 x 3/4"	39) 2367	HWHS 1/4-20 x 5/8"
17) 1083	Hex Nut 6-32	40) 1173	Column Pulley Shaft
18) 1079	Lockwasher, 1/4"	1991	Spool, 35mm
19) 1063	SHCS 3/8-16 x 5/8"		



**AP 5 Take-Up & Lower Castor**

## **AP 5 Take-Up & Lower Castor**

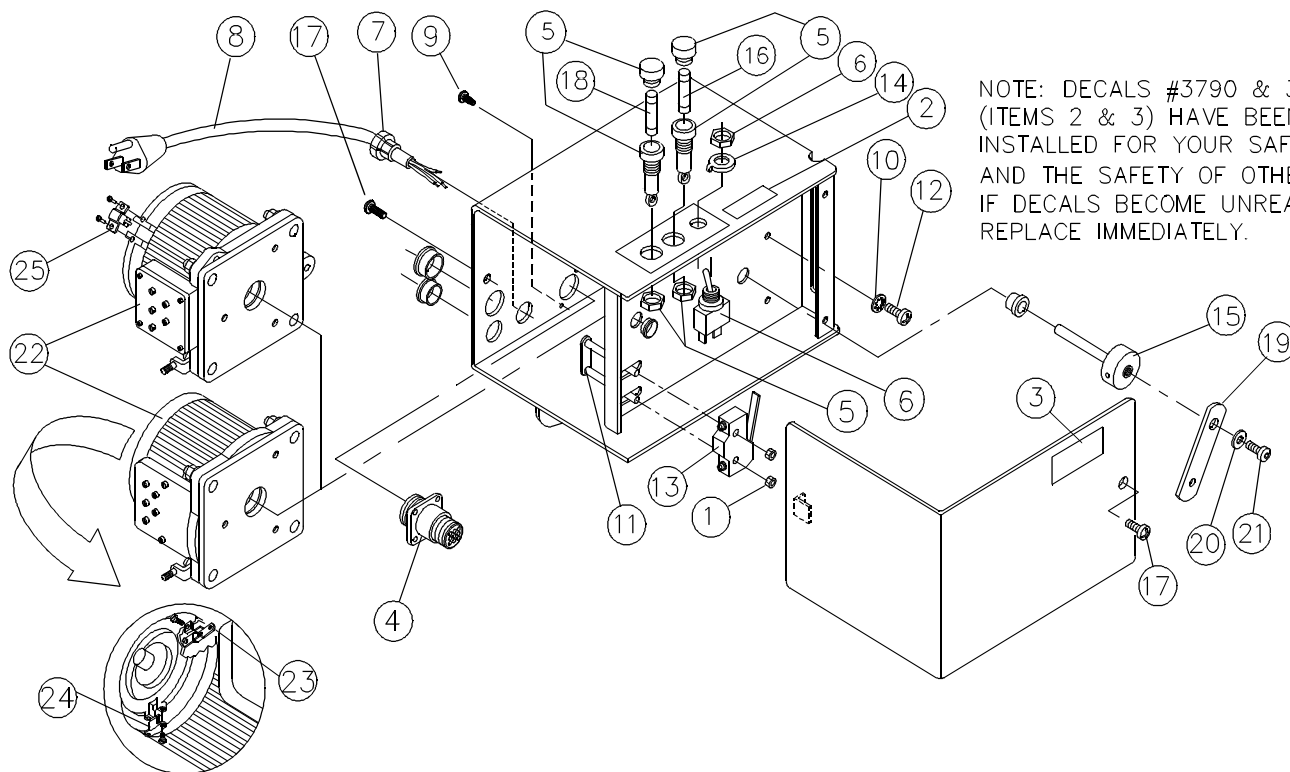
- A) 2604 Castor Swivel Assy.-Left 35mm
- C) 1447 Pulley Shaft #6 & Pulley Assy, 35mm
- D) 2602 Keeper Shaft & Spool Assy.
- E) 1505 Castor Swivel Assy.-right 35mm
- 1) 1238 Take-Up Rail
- 2) 1236 Take-Up Upper Bracket
- 3) 1237 Take-Up Lower Bracket
- 4) 1675 Take-Up Plate & Bushing
- 5) 2629 Take-Up Slide Shaft & Roller Assy.
- 7) 2067 Take-Up Stop Bumper
- 8) 1465 Take-Up Stop Pin
- 9) 1234 Take-Up Stop Pin Spring
- 10) 1050 E-Ring, 5/16"
- 11) 1071 Screw PTH 10-32 x 3/8"
- 12) 1078 Lockwasher #10, Internal Tooth
- 13) 1933 Take-Up Slide Tube Bracket
- 14) 1087 Hex Nut, 1/4-28
- 15) 2660 Ball Swivel, 1/4-28
- 16) 2247 Variac Linkage Rod
- 17) 2272 Variac Linkage Rod Assy.
- 18) 1055 HHCS 1/4-28 x 1/2"
- 19) 1106 SHCS 5/16-18 x 3/4"
- 20) 1123 Take-Up Extension Rod
- 21) 1930 Take-Up Slide Tube
- 22) 1124 Column Take-Up Linkage Bracket
- 23) 1076 Flatwasher, 1/4"
- 24) 1088 Locknut, Nylon Insert, 1/4-28
- 25) 1330 Spacer, 3/8"OD x 1/4" ID x 2.75"
- 26) 1170 Column Bottom Castor Bracket 35mm
- 27) 1061 HHCS 1/4-28 x 4"
- 28) 1929 Column 5-Deck Offset Bracket.
- 29) 2518 Take-Up Assy.
- 30) 1056 HHCS 1/4-28 x 3/4"



### **AP 5 Feed Castor Assembly**

1659 Feed Castor Assy AP

- D) 2602 Keeper Shaft & Spool Assy
- H) 1774 Pulley Shaft #5 & Pulley Assy 35mm
- 1) 1053 Toggle Switch DPDT On-None-On (spade)
- 2) 1152 Feed Castor Switch
- 3) 1359 Feed Castor Wire Harness A.P.



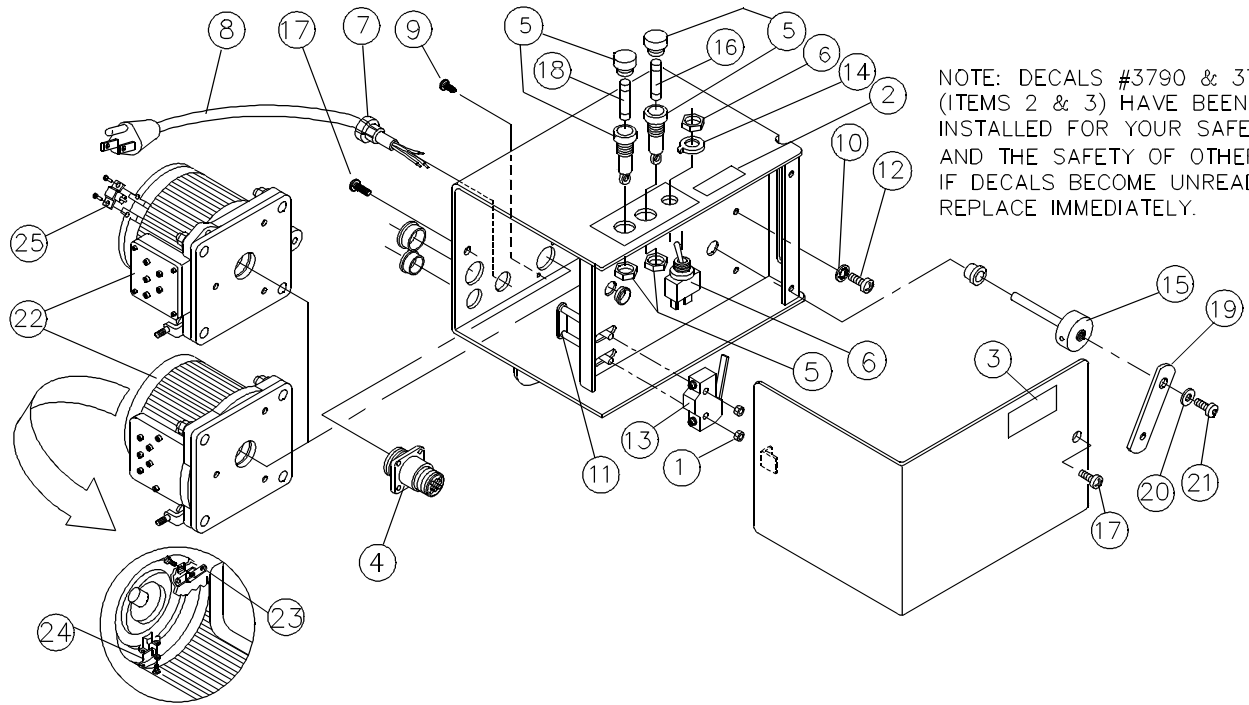
## AP 5 Arm Mount Variac Parts

2205 Variac Assy. Arm Mount. (Pre 1996)  
 3415 Variac Assy. Arm Mount. (1996 and later)

- |  |  |
|--|--|
| 1) 1029 Power Cord 3 Wire                        | 16) 1075 Flatwasher #10                        |
| 2) 1071 Screw PTH 10-32 x 3/8"                   | 17) 1233 Button Head Cap Screw 10-32 x 3/8"    |
| 3) 2391 Strain Relief 5/8 x .125 (.325/.36 dia)  | 18) 1083 Nut Hex 6-32                          |
| 4) 3790 Decal, Cord                              | 19) 2536 Micro Switch-Flat Blade-HD            |
| 5) 2521 Screw PPH #8 x 3/8" Type 25              | 20) 1469 Switch Adjusting Plate Assy           |
| 6) 1009 Fuse Holder                              | 21) 2077 Receptacle 9 Pin                      |
| 7) 2338 Fuse 1.5 AMP 250v                        | 22) 2068 Receptacle 4 Pin, (Rev. Sex)          |
| 8) 2265 Fuse 8 AMP 125v                          | 23) 2056 Receptacle 4 Pin (Std. Sex)           |
| 9) 1024 Toggle Switch SPST On-Off                | 24) 2507 Pin CPC                               |
| 10) 1081 Washer Switch Keyed                     | 25) 2506 Socket CPC                            |
| 11) 3788 Decal, Fuse                             | 26) 1006 Transformer 110v Replacement Kit      |
| 12) 1078 Lockwasher #10 - Internal Tooth         | *27) 1005 Brush, Variac (Staco 1010)           |
| 13) 1069 Screw PTH 8-32 x 3/8"                   | *28) 2103 Contact Assembly Variac (Staco 1010) |
| 14) 1643 Variac Shaft & Hub Sub-<br>Assy. Type 2 | *29) 4445 Brush, Variac (Powerstat 116CU)      |
| 15) 1640 Variac Link Type 2                      |  |

\* Refer to the transformer face plate for manufacturer's name and model number. Order replacement parts for the manufacturer specified. No replacement contact is required for Powerstat transformers. Transformers are interchangeable.





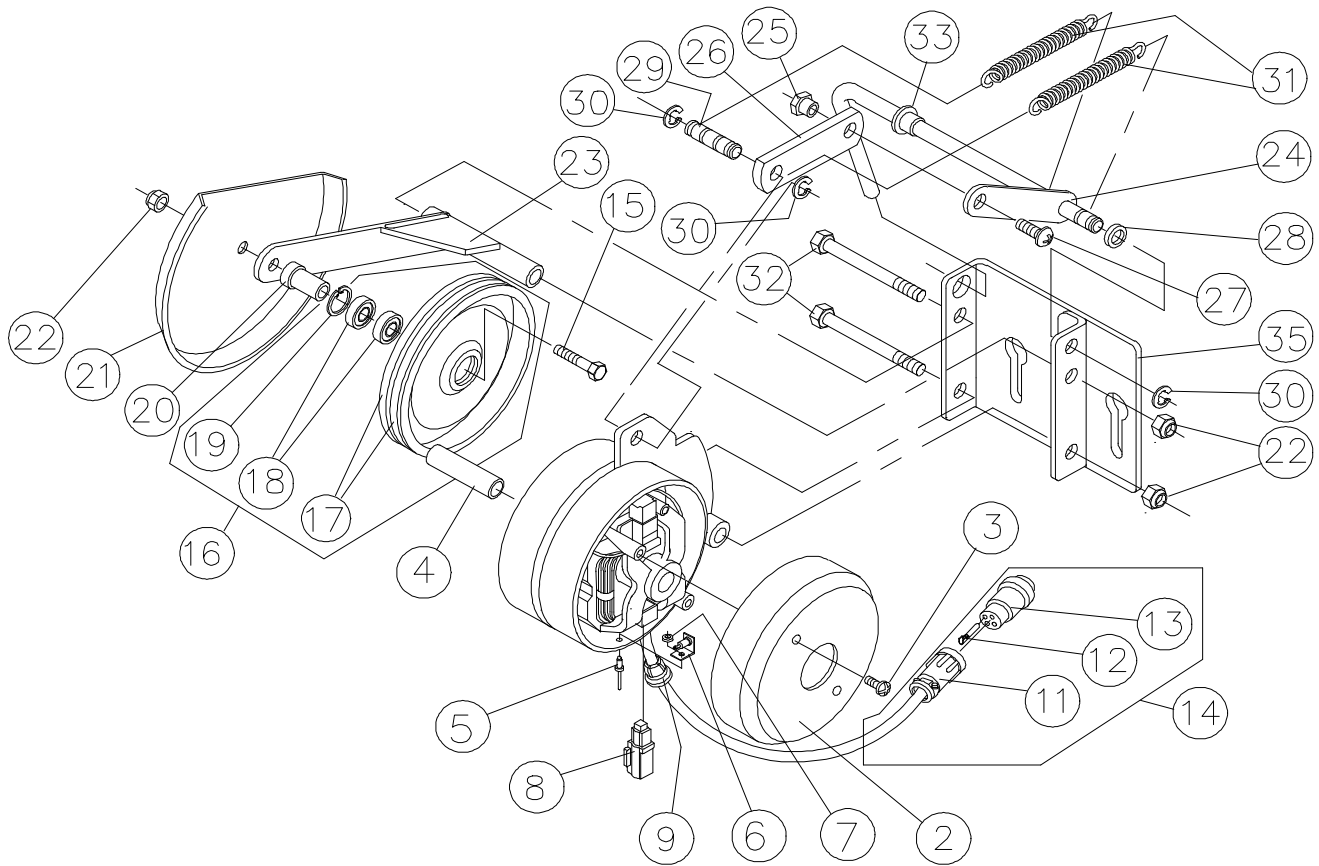
### **AP 5 Leg Mount Variac Parts**

2526 Variac Assy. Leg Mount.

- |   |  |
|---|--|
| 1) 1083 Nut Hex 6-32                            | 16) 2265 Fuse 8 AMP 125V                       |
| 2) 3788 Decal, Fuse Replacement                 | 17) 1071 Screw PTH 10-32 x 3/8"                |
| 3) 2059 2 Power Supply Decal                    | 18) 2338 Fuse 1.5 AMP 250v                     |
| 5) 1009 Fuse Holder                             | 19) 1640 Variac Link Type 2                    |
| 6) 1024 Toggle Switch SPST On-Off               | 20) 1075 Flatwasher #10                        |
| 7) 2391 Strain Relief 5/8 x .125 (.325/.36 dia) | 21) 1233 Button Head Cap Screw 10-32 x 3/8"    |
| 8) 1029 Power Cord 3 Wire                       | 22) 1006 Transformer 110v Replacement Kit      |
| 9) 2521 Screw PPH #8 x 3/8" Type 25             | *23) 2103 Contact Assembly Variac (Staco 1010) |
| 10) 1078 Lockwasher #10 - Internal Tooth        | *24) 1005 Brush, Variac (Staco 1010)           |
| 11) 1469 Switch Adjusting Plate Assy            | *25) 4445 Brush, Variac (Powerstat 116CU)      |
| 12) 1069 Screw PTH 8-32 x 3/8"                  |  |
| 13) 2111 Micro Switch-Flat Blade                |  |
| 14) 1081 Washer Switch Keyed                    |  |
| 15) 1643 Variac Shaft & Hub Sub-Assy. Type 2    |  |

\* Refer to the transformer face plate for manufacturer's name and model number. Order replacement parts for the manufacturer specified. No replacement contact is required for Powerstat transformers.

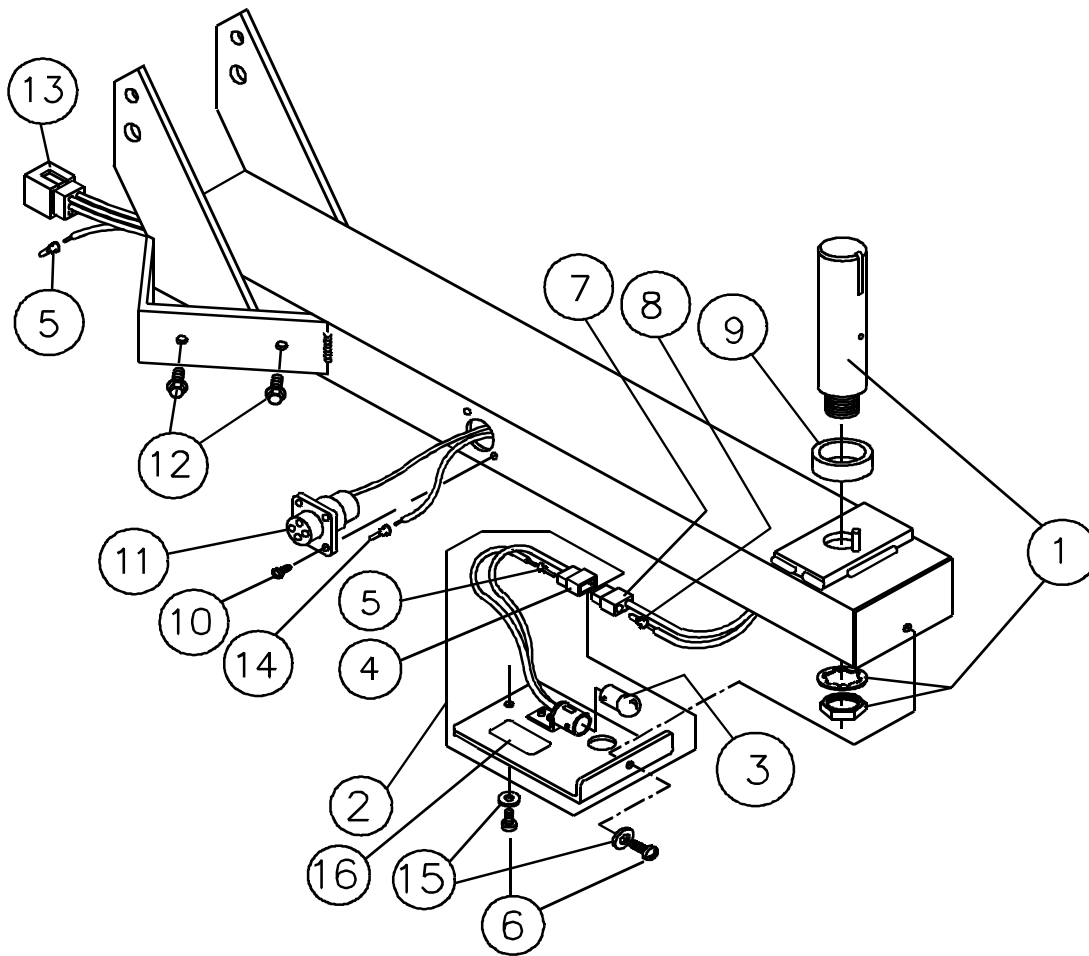
Transformers are interchangeable.



### AP Drive Motor Parts

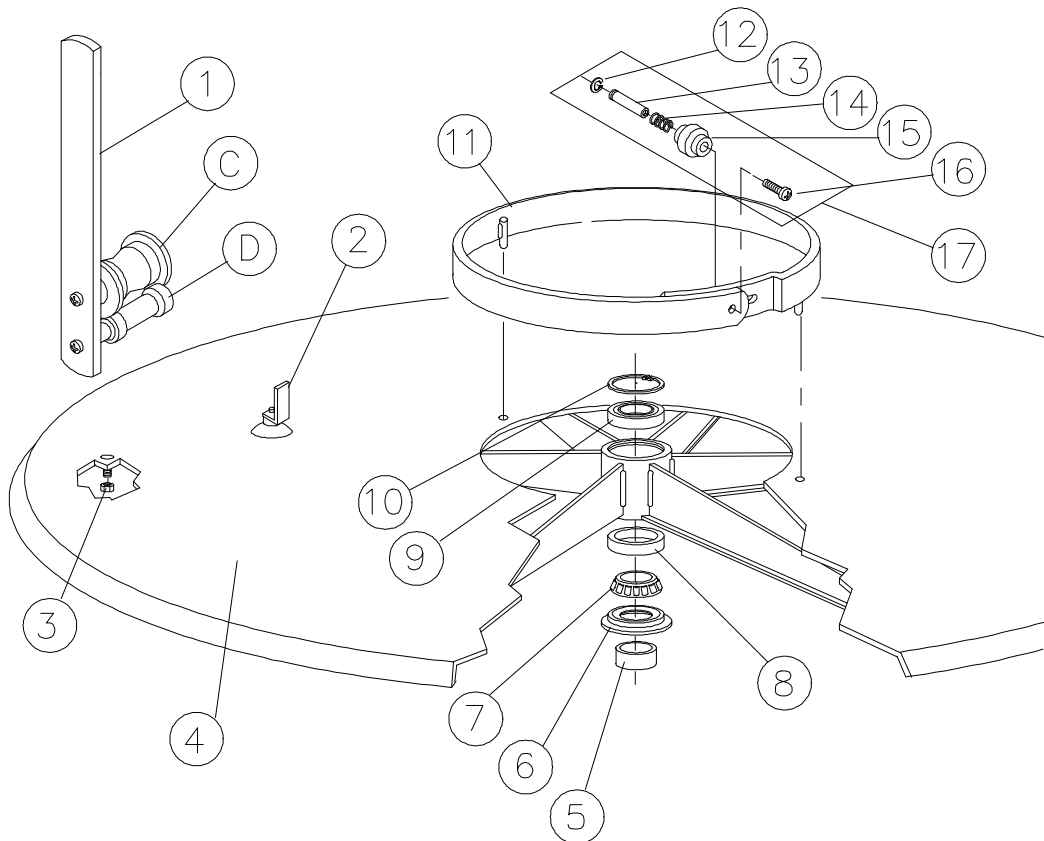
1740 Drv Mtr Assy Type 4 A.P.

- |  |   |
|--|---|
| 2) 1192 Drv Mtr End Cover                    | 20) 1633 Drive Motor Wheel Spacer Type 3              |
| 3) 1091 Screw PPH 10-24 x 3/8" Type F        | 21) 1632 Drive Motor Wheel Shield Type 3              |
| 4) 1630 Drv Mtr Hub Type 3, 3/8" dia         | 22) 1088 Locknut, Nylon Insert 1/4-28                 |
| 5) 1052 Pop Rivet 1/8" X 5/16" Steel         | 23) 1620 Drive Motor Wheel Arm Weldment Type 3        |
| 6) 1775 Drv Mtr Diode & Brkt Assy            | 24) 1618 Drive Motor Toggle Handle Weldment Type 3    |
| 7) 2026 Back-Up Plt Pop Rivet 1/8"           | 25) 1631 Drive Motor Linkage Connector Type 3         |
| 8) 1004 Brush Motor 115 volt (1 pair)        | 26) 1634 Drive Motor Connector Link Type 3            |
| 9) 2856 Strain Relief 5/8 x .062             | 27) 1071 Screw PTH 10-32 x 3/8"                       |
| 11) 2070 Clamp Cable #11                     | 28) 1546 Washer, Fiber 5/16" x 7/16" x .015"          |
| 12) 2064 Pin Male                            | 29) 1402 Drive Motor Spring Pin                       |
| 13) 2069 Plug 4 Pin                          | 30) 1050 E Ring 5/16"                                 |
| 14) 1615 Drv Motor Plug Wire Harness A.P.    | 31) 1818 Drive Motor Spring Type 3                    |
| 15) 2370 HHCS 1/4-28 x 1 1/4"                | 32) 3009 HHCS 1/4-28 x 3 3/4"                         |
| 16) 2140 Drive Motor Wheel Assy              | 33) 1128 Bushing Plastic 1/2"                         |
| 17) 2362 Drive Motor Rubber Tire             | 35) 2796 Drive Motor Adjustment Plate Assembly Type 4 |
| 18) 2066 Bearing Drive Wheel 7/8 OD x 3/8 ID |   |
| 19) 2224 Retaining Ring Internal 7/8"        |   |



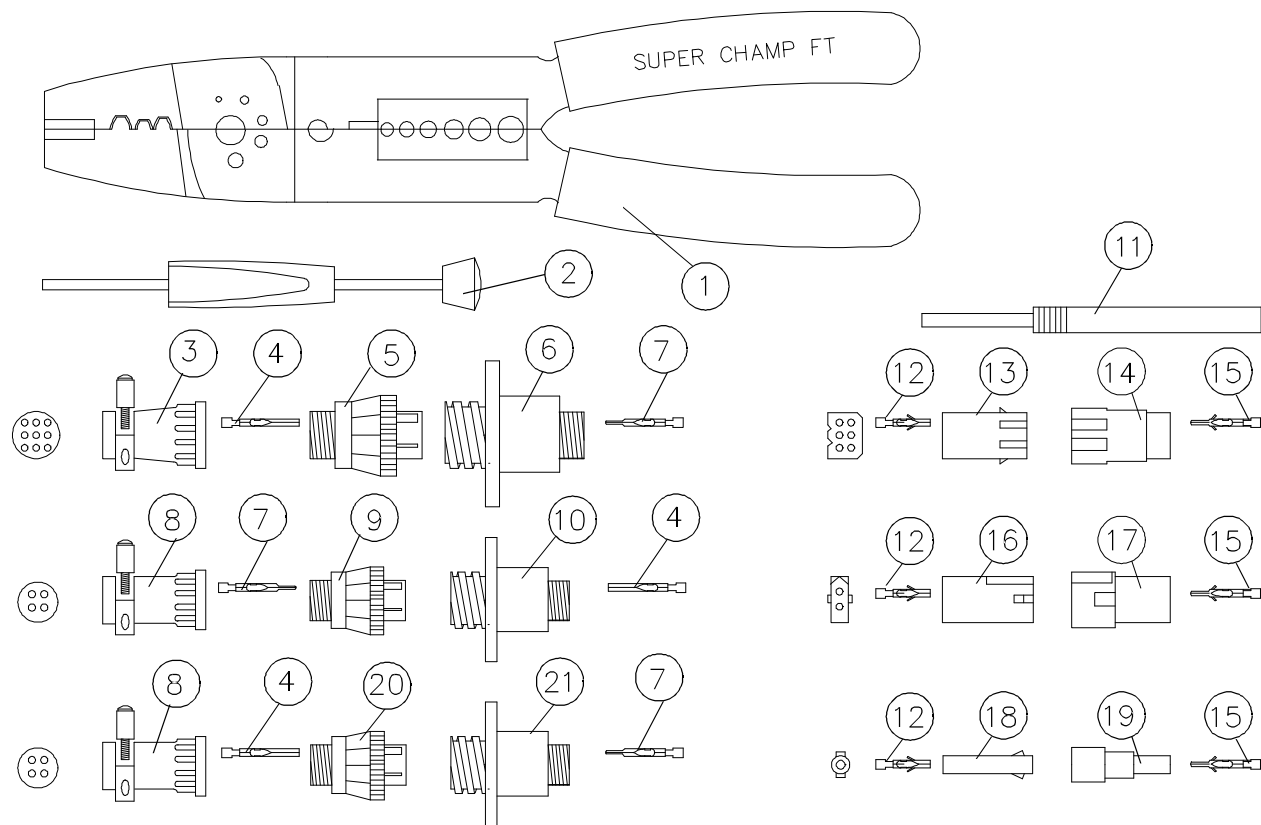
**AP Arm**

- 1) 2359 Arm Spindle Plug In Retrofit
- 2) 1653 Arm Light Cover Assembly A.P.
- 3) 2129 Bulb 115v Bayonette Base
- 4) 1837 Plug, 2 Circuit CPS
- 5) 1708 Pin, CPS
- 6) 1071 Screw PTH 10-32 x 3/8"
- 7) 1838 Receptacle, 2 Circuit CPS
- 8) 1709 Socket, CPS
- 9) 1183 Arm Bearing Spacer
- 10) 1065 Screw PTH 6-32 x 1/4"
- 11) 2068 Receptacle 4 Pin
- 12) 2367 HWHS 1/4-20 x 5/8"
- 13) 1839 Plug, 6 Circuit CPS
- 14) 2063 Socket, CPC
- 15) 1075 Flatwasher #10
- 16) 3787 Decal, Bulb Replacement



### **Disk, Center Ring & Projector Arm**

- C) 1447 Pulley Shaft #6 & Pulley Assy 35mm
- D) 2602 Keeper Shaft & Spool Assy
- 1) 1515 Projector Arm Assy 35mm (Includes C & D)
- 2) 2225 Disk Suction Cup Assy
- 3) 1084 Locknut, Nylon Insert 6-32
- 4) 1865 One Disk Crated 52" or  
1854 One Disk Crated 42"
- 5) 1183 Arm Bearing Spacer
- 6) 1258 Disk Lower Bearing Grease Retainer
- 7) 1256 Disk Lower Bearing
- 8) 1257 Disk Lower Bearing Race Cup
- 9) 1254 Disk Upper Bearing
- 10) 1255 Disk Upper Bearing Retaining Ring
- 11) 1471 Center Ring Assy (includes item #17)
- 12) 1050 E Ring 5/16"
- 13) 1265 Shaft #9
- 14) 1266 Center Ring Knob Spring
- 15) 1264 Center Ring Knob
- 16) 1070 Screw PFH 8-32 x 3/8"
- 17) 1827 Center Ring Knob Assy



- 1) 2674 Pin Crimping Tool
- 2) 2673 Pin Extraction Tool CPC
- 3) 2071 Clamp Cable #13
- 4) 2063 Socket CPC
- 5) 2078 Plug 9 Pin
- 6) 2077 Receptacle 9 Pin
- 7) 2064 Pin CPC
- 8) 2070 Clamp Cable #11
- 9) 2069 Plug 4 Pin
- 10) 2068 Receptacle 4 Pin

- 11) 2669 Pin Extraction Tool CPS
- 12) 1709 Socket, CPS
- 13) 1840 Receptacle, 6 Circuit CPS
- 14) 1839 Plug, 6 Circuit CPS
- 15) 1708 Pin, CPS
- 16) 1838 Receptacle, 2 circuit CPS
- 17) 1837 Plug, 2 Circuit CPS
- 18) 1836 Receptacle, 1 Circuit CPS
- 19) 1835 Plug, 1 Circuit CPS
- 20) 2057 Plug, 4 Pin - (std sex)
- 21) 2056 Receptacle 4 Pin - (std sex)