

# Film-Tech

The information contained in this Adobe Acrobat pdf file is provided at your own risk and good judgment.

These manuals are designed to facilitate the exchange of information related to cinema projection and film handling, with no warranties nor obligations from the authors, for qualified field service engineers.

If you are not a qualified technician, please make no adjustments to anything you may read about in these Adobe manual downloads.

[www.film-tech.com](http://www.film-tech.com)

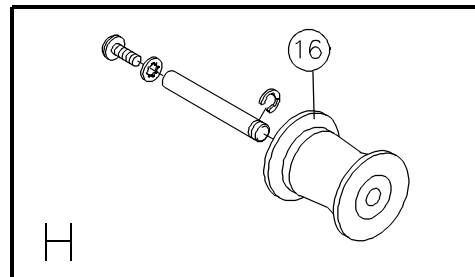
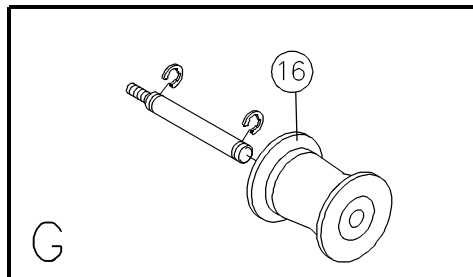
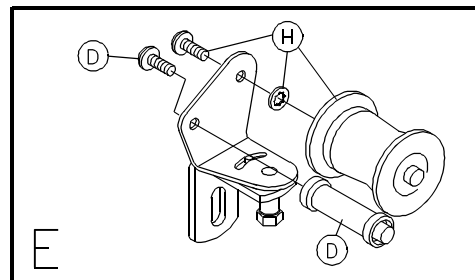
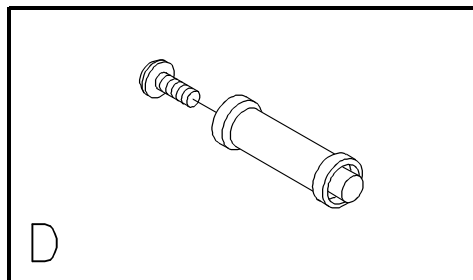
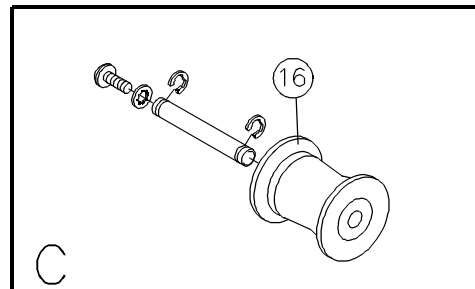
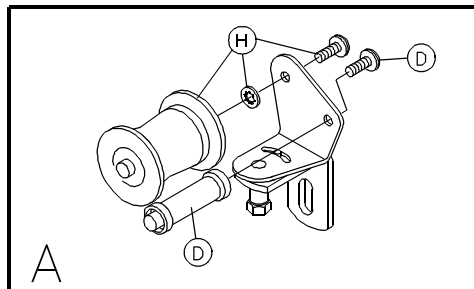
# AP

# Parts Manual

PRODUCT INFORMATION BULLETIN #3002  
For Serial Number 16360196 and After

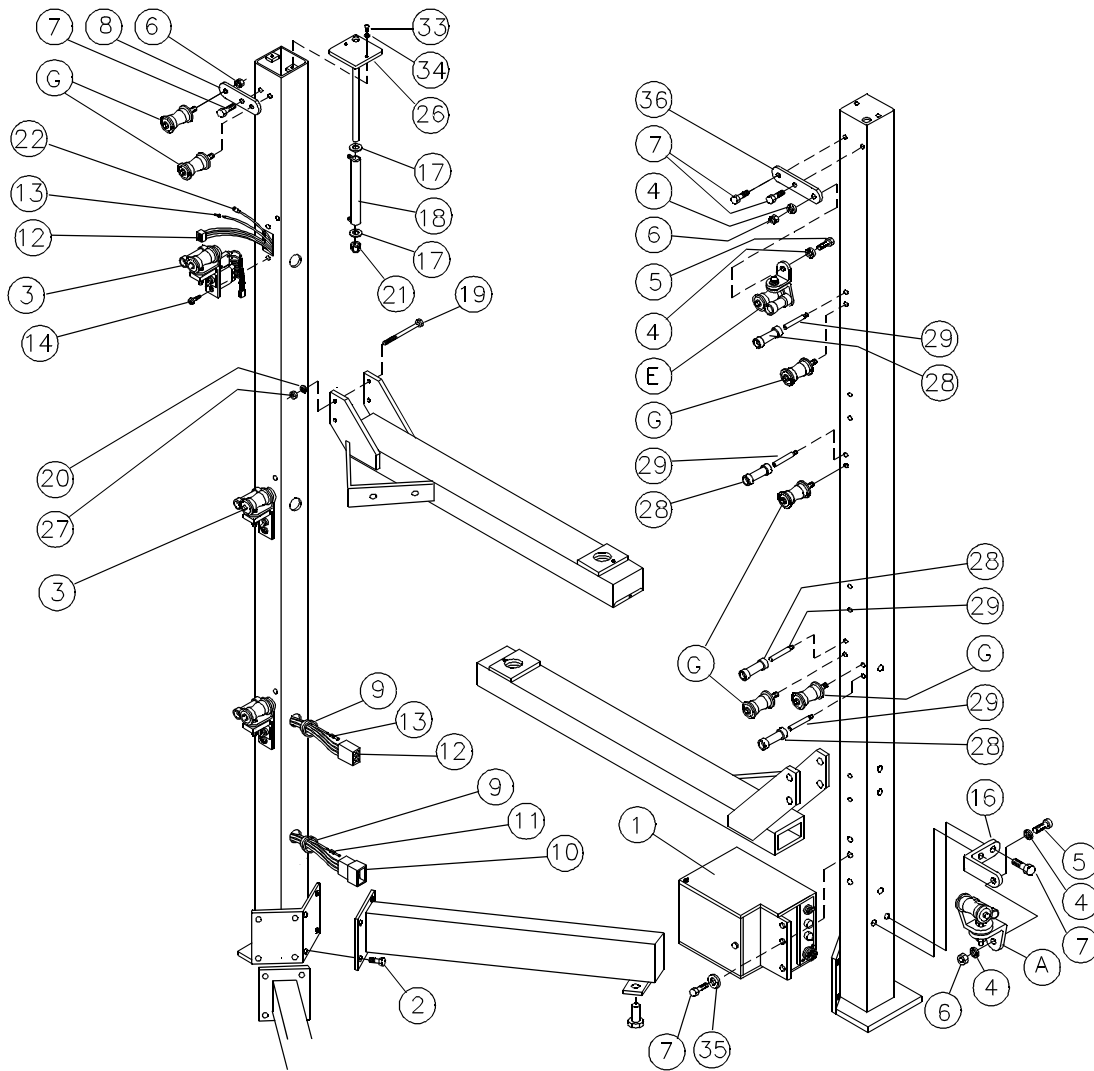
Record Platter System Identification Numbers Here:

Model # \_\_\_\_\_ Serial # \_\_\_\_\_



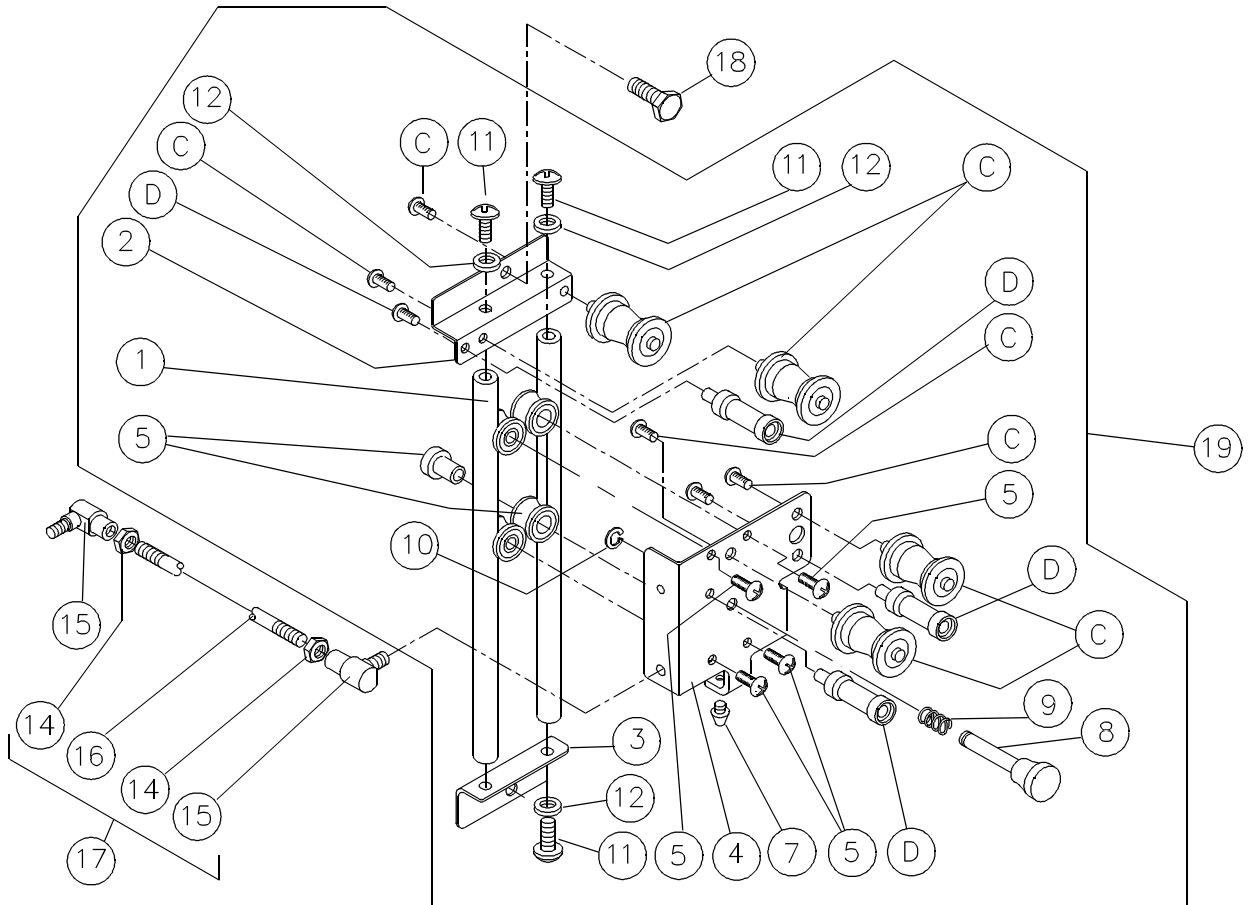
## COMMON PULLEY ASSEMBLIES

- A) 2604 Castor Swivel Assy, Left 35mm
- C) 1447 Pulley Shaft #6 & Pulley Assy 35mm
- D) 2602 Keeper Shaft & Spool Assy
- E) 1505 Castor Swivel Assy, Right 35mm
- G) 1504 Column Shaft & Pulley Assy 35mm
- H) 1774 Pulley Shaft #5 & Pulley Assy 35mm
- 16) 2881 Pulley 35mm 5/16" ID



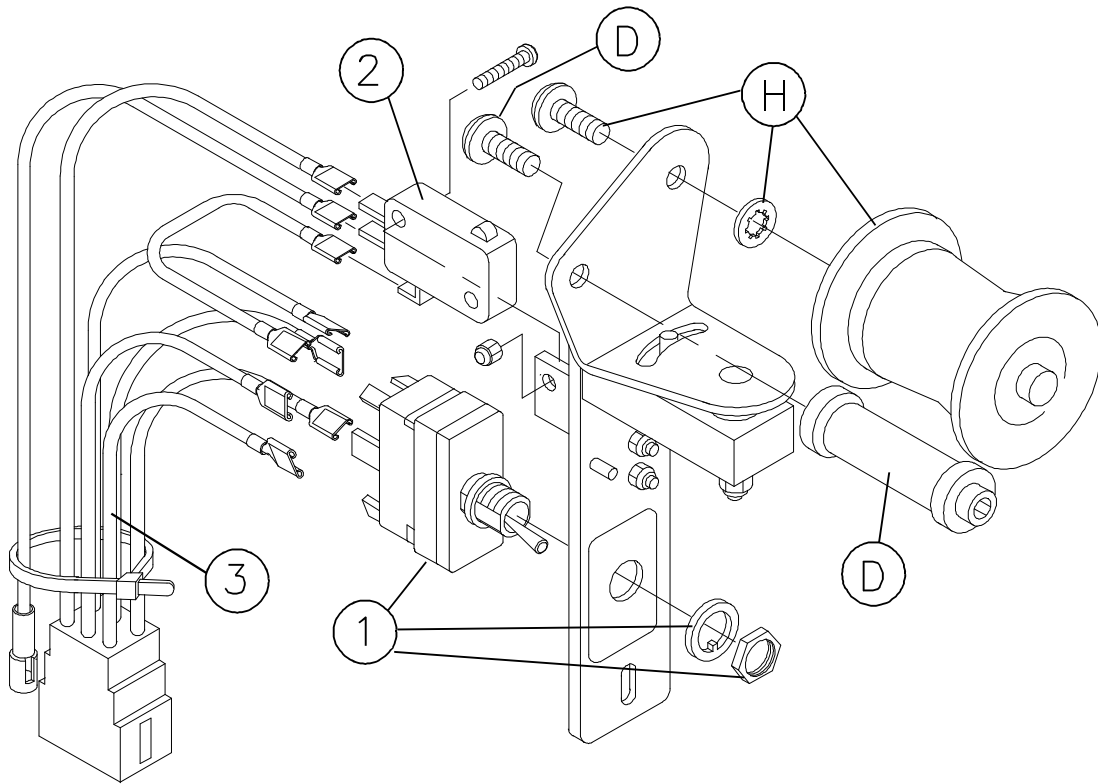
### AP Column Parts

- |   |  |
|---|--|
| A) 2604 Castor Swivel Assy, Left 35mm   | 14) 1071 Screw PTH 10-32 x 3/8"            |
| E) 1505 Castor Swivel Assy, Right 35mm  | 16) 1170 Column Bottom Castor Bracket 35mm |
| G) 1504 Column Shaft & Pulley Assy 35mm | 17) 1635 Resistor Locating Cup A.P.        |
| 1) 2369 Variac Assembly A.P.            | 18) 1145 Resistor, 2 ohm 100 watt          |
| 2) 1063 SHCS 3/8-16 x 5/8"              | 19) 1062 HHCS 5/16-18 x 5"                 |
| 3) 1659 Feed Castor Assembly A.P.       | 20) 1080 Lockwasher 5/16", Split Ring      |
| 4) 1076 Flatwasher 1/4"                 | 21) 2395 Locknut, nylon insert 1/4-20      |
| 5) 1056 HHCS 1/4-28 x 3/4"              | 22) 1836 Receptacle, 1 Circuit CPS         |
| 6) 1088 Locknut, Nylon Insert 1/4-28    | 26) 3331 Column End Cap                    |
| 7) 1055 HHCS 1/4-28 x 1/2"              | 27) 1090 Nut Hex 5/16-18                   |
| 8) 1168 Column Feed Pulley Bracket 1L   | 28) 1991 Spool 35 mm                       |
| 9) 1179 Bushing, Open/Closed 7/8"       | 29) 1173 Column Pulley Shaft               |
| 10) 1839 Plug, 6 Circuit CPS            | 33) 1072 Screw PTH 10-32 x 1/2"            |
| 11) 1708 Pin, CPS                       | 34) 1075 Flatwasher #10                    |
| 12) 1840 Receptacle, 6 Circuit CPS      | 35) 1079 Lockwasher 1/4"                   |
| 13) 1709 Socket, CPS                    | 36) 3402 Column Payout Swivel Mnt. Brkt.   |



### **AP Take-Up**

- C) 1447 Pulley Shaft #6 & Pulley Assy 35mm
- D) 2602 Keeper Shaft & Spool Assy
- 1) 1238 Take-up Rail
- 2) 1236 Take-Up Upper Bracket
- 3) 1237 Take-Up Lower Bracket
- 4) 1675 Take-Up Slide Plate & Bushing Assy A.P.
- 5) 2629 Take-Up Slide Shaft & Roller Assy
- 7) 2067 Take-up Stop Bumper
- 8) 1465 Take-Up Stop Pin
- 9) 1234 Take-Up Stop Pin Spring
- 10) 1050 E Ring 5/16"
- 11) 1071 Screw PTH 10-32 x 3/8"
- 12) 1078 Lockwasher #10, Internal Tooth
- 14) 1087 Nut Hex 1/4-28
- 15) 2660 Ball Swivel 1/4-28
- 16) 2247 Variac Linkage Rod A.
- 17) 2272 Variac Linkage Rod Assembly A.
- 18) 1055 HHCS 1/4-28 x 1/2"
- 19) 1670 Take-Up Assy. A.P. 35mm 3-Deck

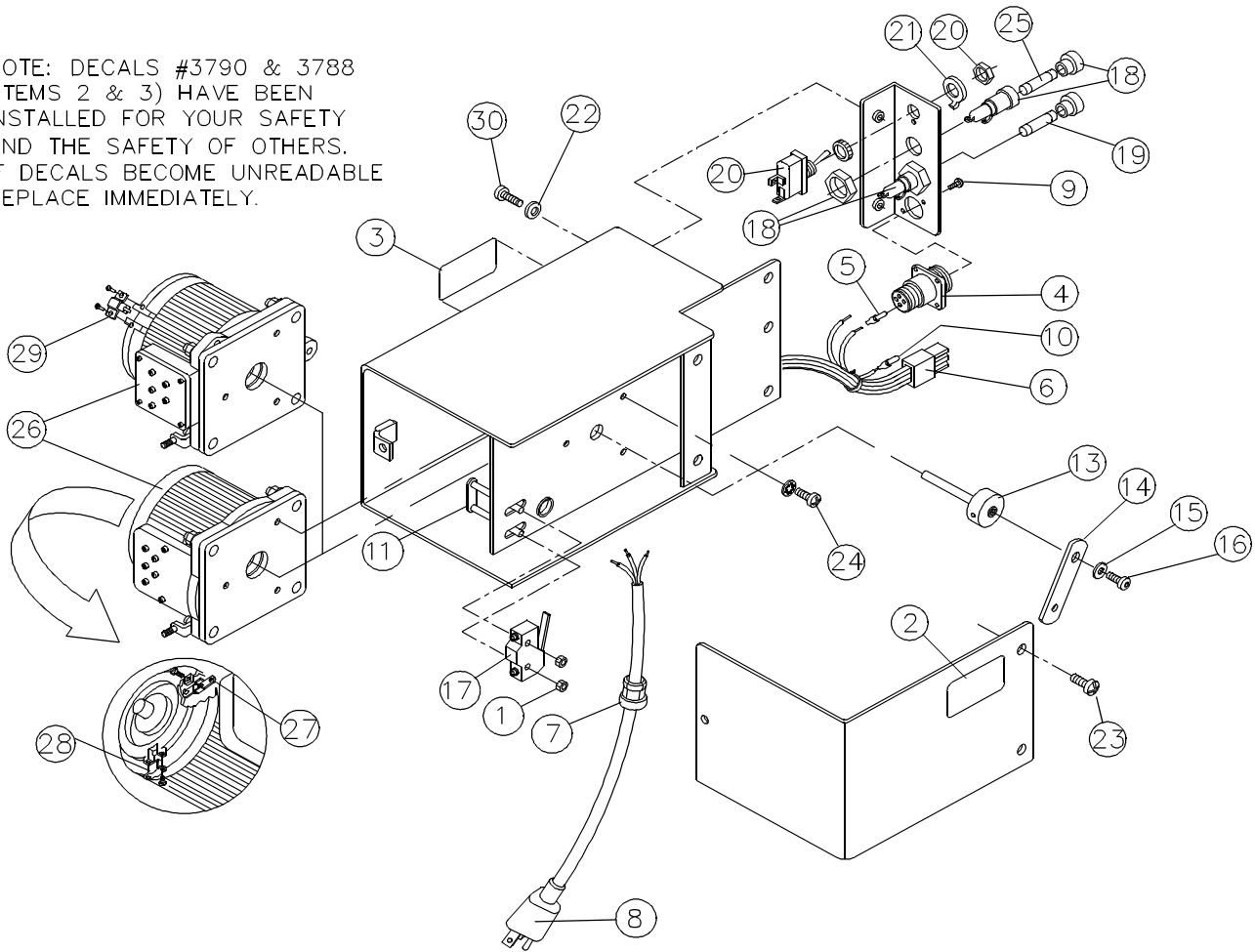


## **AP Feed Castor Assembly**

1659 Feed Castor Assy AP

- D) 2602 Keeper Shaft & Spool Assy
- H) 1774 Pulley Shaft #5 & Pulley Assy 35mm
- 1) 1053 Toggle Switch DPDT On-None-On (spade)
- 2) 1152 Feed Castor Switch
- 3) 1359 Feed Castor Wire Harness A.P.

NOTE: DECALS #3790 & 3788 (ITEMS 2 & 3) HAVE BEEN INSTALLED FOR YOUR SAFETY AND THE SAFETY OF OTHERS. IF DECALS BECOME UNREADABLE REPLACE IMMEDIATELY.

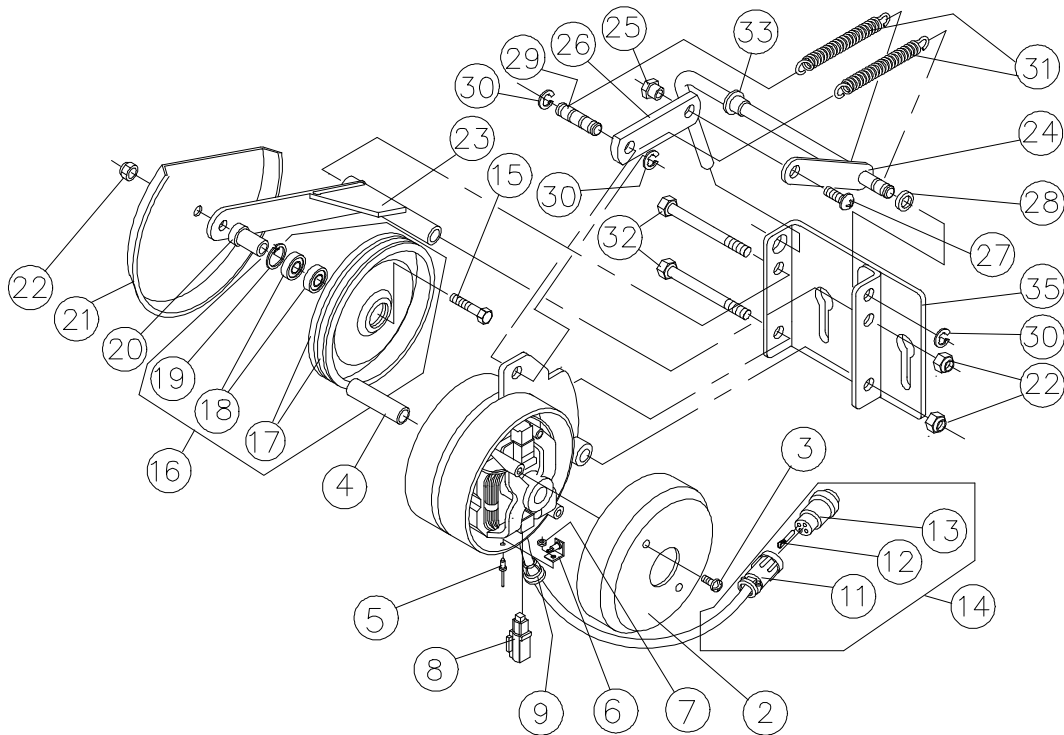


## **AP Variac**

2369 Variac Assembly AP 3

- |   |  |
|---|--|
| 1) 1083 Nut Hex 6-32                            | 16) 1233 Button Head Socket Cap Screw 10-32 X 3/8" |
| 2) 3790 Decal, Cord                             | 17) 2536 Micro Switch-Flat Blade-HD                |
| 3) 3788 Decal, Fuse                             | 18) 1009 Fuse Holder                               |
| 4) 2056 Receptacle 4 Pin (std sex)              | 19) 2338 Fuse 1 1/2 Amp 250v.                      |
| 5) 2064 Pin, CPC                                | 20) 2853 Toggle Switch SPDT On-Off-On (Solder)     |
| 6) 1840 Receptacle, 6 Circuit CPS               | 21) 1081 Washer Switch Keyed                       |
| 7) 2391 Strain Relief 5/8 x .125 (.325/.36 dia) | 22) 1075 Flatwasher #10                            |
| 8) 1029 Power Cord 3 Wire                       | 23) 1071 Screw PTH 10-32 x 3/8"                    |
| 9) 2521 Screw PPH #8 x 3/8" Type 25             | 24) 1091 Screw PPH 10-24 X 3/8" Type F             |
| 10) 1709 Socket, CPS                            | 25) 2265 Fuse 8 Amp 125v                           |
| 11) 1469 Switch Adjusting Plate Assy            | 26) 1006 Transformer 110v Replacement Kit*         |
| 13) 1643 Variac Shaft & Hub Sub-assembly Type 2 | *27) 2103 Contact Assembly, Variac (Staco 1010)    |
| 14) 1640 Variac Link Type 2                     | *28) 1005 Brush, Variac (Staco 1010)               |
| 15) 1075 Flatwasher #10                         | *29) 4445 Brush, Variac (Powerstat 116CU)          |

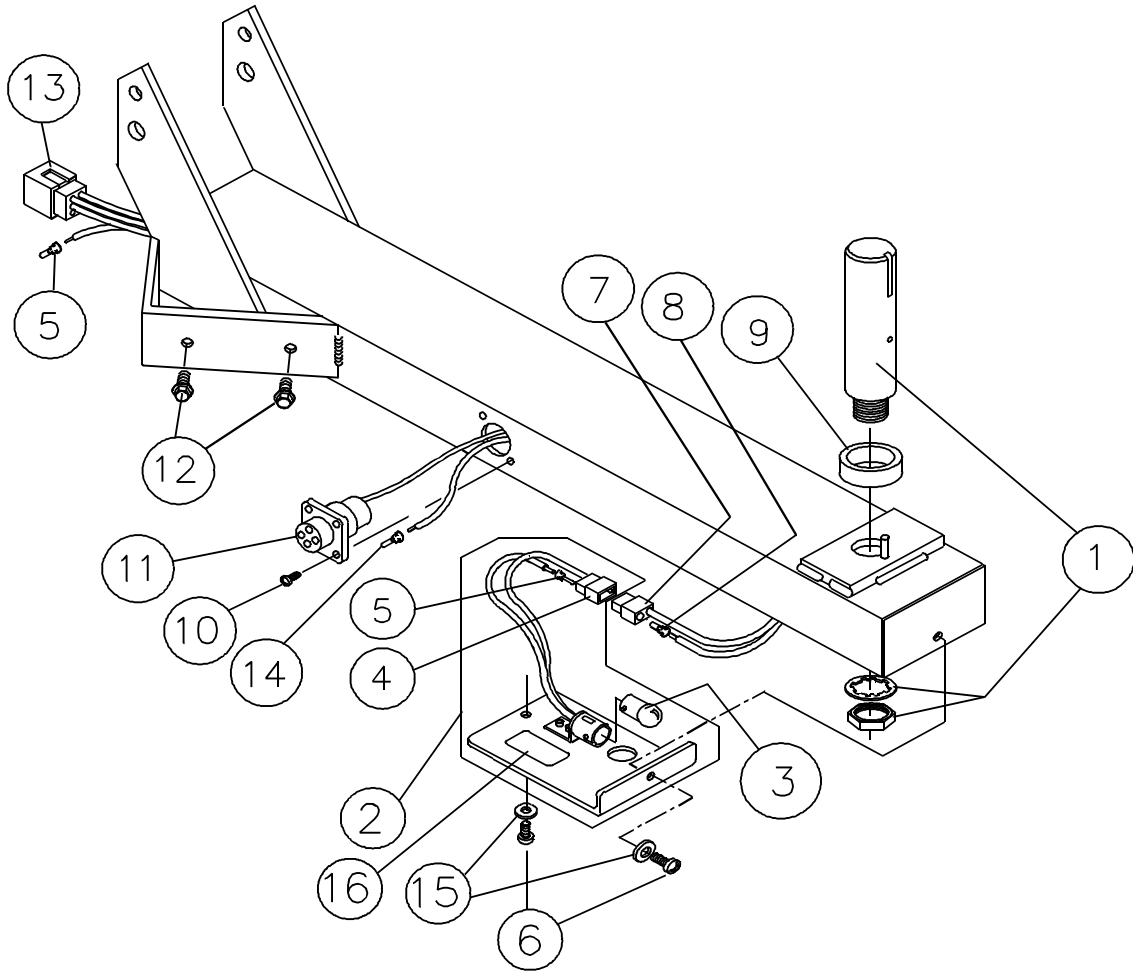
\* Refer to the transformer face plate for manufacturer's name and model number. Order replacement parts for the manufacturer specified. No replacement contact is required for Powerstat transformers. Transformers are interchangeable.



### **AP Drive Motor**

1740 Drv Mtr Assy Type 4 A.P.

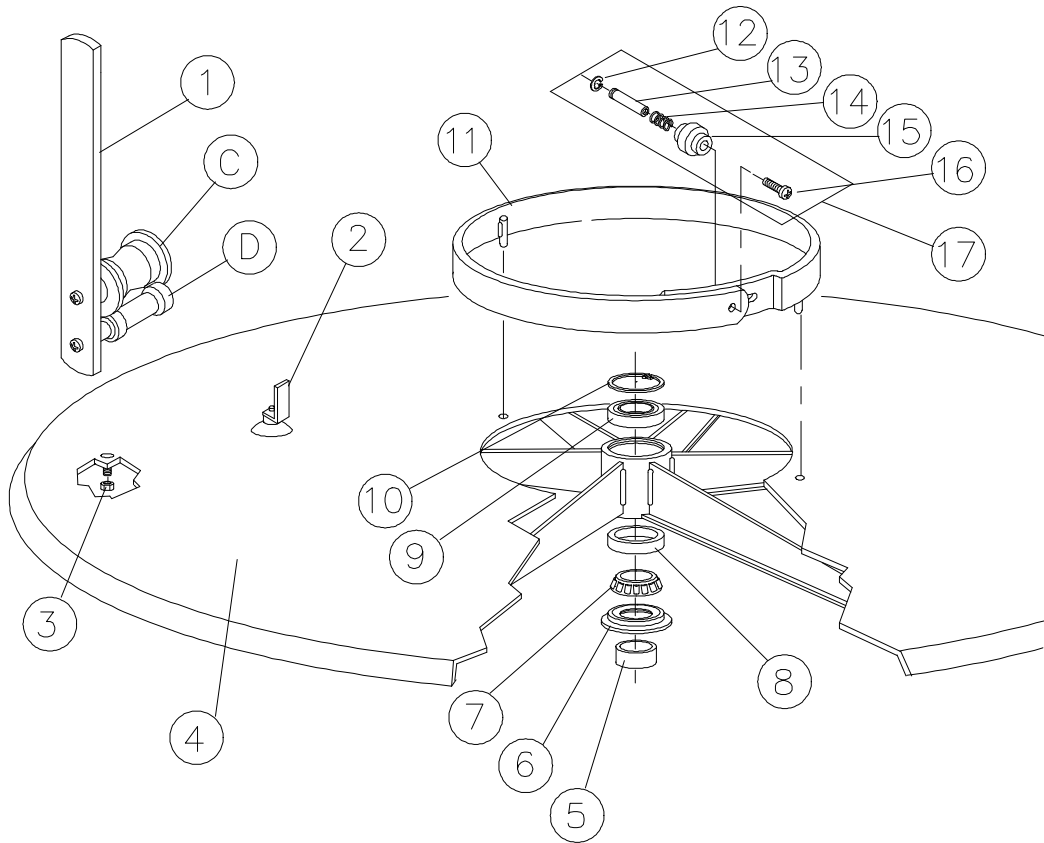
- |  |   |
|--|---|
| 2) 1192 Drv Mtr End Cover                    | 20) 1633 Drive Motor Wheel Spacer Type 3              |
| 3) 1091 Screw PPH 10-24 x 3/8" Type F        | 21) 1632 Drive Motor Wheel Shield Type 3              |
| 4) 1630 Drv Mtr Hub Type 3, 3/8" dia         | 22) 1088 Locknut, Nylon Insert 1/4-28                 |
| 5) 1052 Pop Rivet 1/8" X 5/16" Steel         | 23) 1620 Drive Motor Wheel Arm Weldment Type 3        |
| 6) 1775 Drv Mtr Diode & Brkt Assy            | 24) 1618 Drive Motor Toggle Handle Weldment Type 3    |
| 7) 2026 Back-Up Plt Pop Rivet 1/8"           | 25) 1631 Drive Motor Linkage Connector Type 3         |
| 8) 1004 Brush Motor 115 volt (1 pair)        | 26) 1634 Drive Motor Connector Link Type 3            |
| 9) 2856 Strain Relief 5/8 x .062             | 27) 1071 Screw PTH 10-32 x 3/8"                       |
| 11) 2070 Clamp Cable #11                     | 28) 1546 Washer, Fiber 5/16" x 7/16" x .015"          |
| 12) 2064 Pin Male                            | 29) 1402 Drive Motor Spring Pin                       |
| 13) 2069 Plug 4 Pin                          | 30) 1050 E Ring 5/16"                                 |
| 14) 1615 Drv Motor Plug Wire Harness A.P.    | 31) 1818 Drive Motor Spring Type 3                    |
| 15) 2370 HHCS 1/4-28 x 1 1/4"                | 32) 3009 HHCS 1/4-28 x 3 3/4"                         |
| 16) 2140 Drive Motor Wheel Assy              | 33) 1128 Bushing Plastic 1/2"                         |
| 17) 2362 Drive Motor Rubber Tire             | 35) 2796 Drive Motor Adjustment Plate Assembly Type 4 |
| 18) 2066 Bearing Drive Wheel 7/8 OD x 3/8 ID |   |
| 19) 2224 Retaining Ring Internal 7/8"        |   |



**AP Arm**

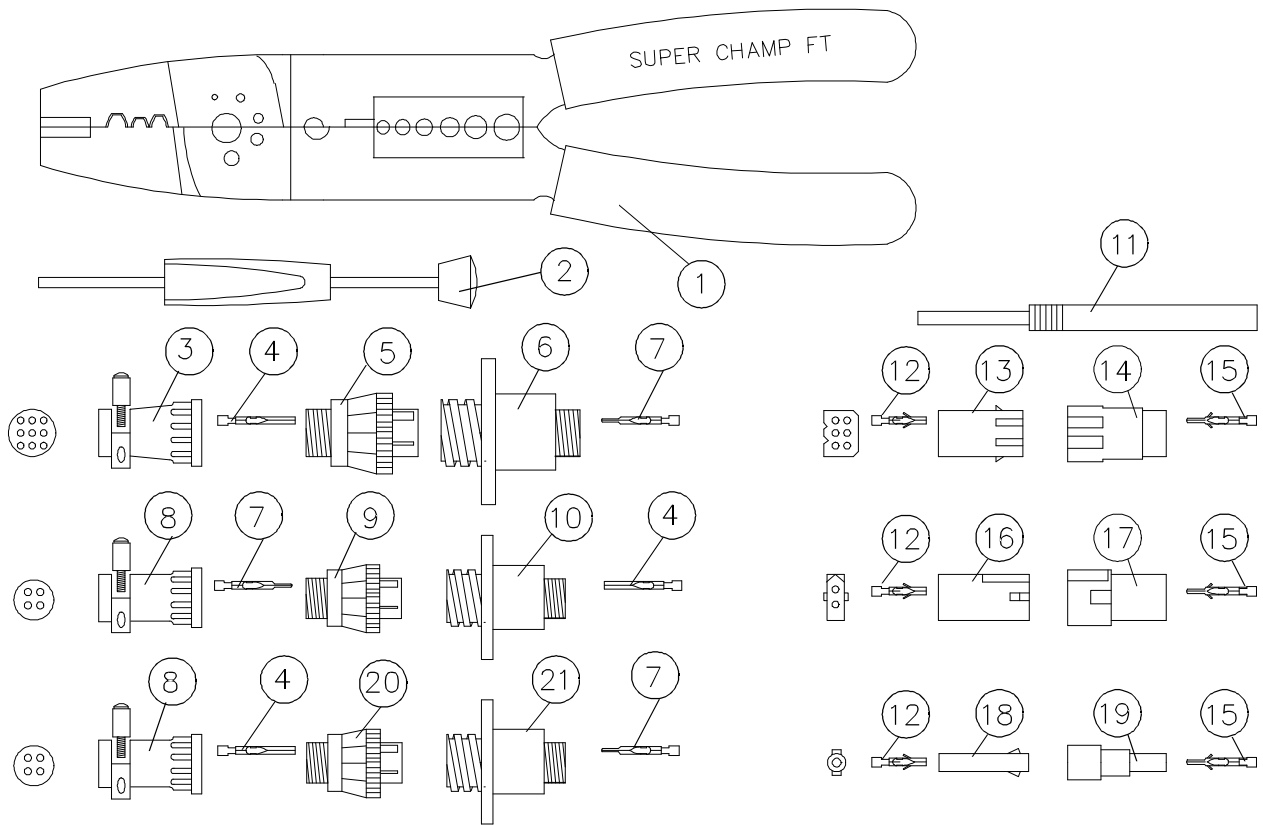
- 1) 2359 Arm Spindle Plug In Retrofit
- 2) 1653 Arm Light Cover Assembly A.P.
- 3) 2129 Bulb 115v Bayonette Base
- 4) 1837 Plug, 2 Circuit CPS
- 5) 1708 Pin, CPS
- 6) 1071 Screw PTH 10-32 x 3/8"
- 7) 1838 Receptacle, 2 Circuit CPS
- 8) 1709 Socket, CPS
- 9) 1183 Arm Bearing Spacer
- 10) 1065 Screw PTH 6-32 x 1/4"
- 11) 2068 Receptacle 4 Pin
- 12) 2367 HWHS 1/4-20 x 5/8"
- 13) 1839 Plug, 6 Circuit CPS
- 14) 2063 Socket, CPC
- 15) 1075 Flatwasher #10
- 16) 3787 Decal, Bulb Replacement





**Disk, Center Ring & Projector Arm**

- C) 1447 Pulley Shaft #6 & Pulley Assy 35mm
- D) 2602 Keeper Shaft & Spool Assy
- 1) 1515 Projector Arm Assy 35mm (Includes C & D)
- 2) 2225 Disk Suction Cup Assy
- 3) 1084 Locknut, Nylon Insert 6-32
- 4) 1865 One Disk Crated 52" or  
1854 One Disk Crated 42"
- 5) 1183 Arm Bearing Spacer
- 6) 1258 Disk Lower Bearing Grease Retainer
- 7) 1256 Disk Lower Bearing
- 8) 1257 Disk Lower Bearing Race Cup
- 9) 1254 Disk Upper Bearing
- 10) 1255 Disk Upper Bearing Retaining Ring
- 11) 1471 Center Ring Assy (includes item #17)
- 12) 1050 E Ring 5/16"
- 13) 1265 Shaft #9
- 14) 1266 Center Ring Knob Spring
- 15) 1264 Center Ring Knob
- 16) 1070 Screw PFH 8-32 x 3/8"
- 17) 1827 Center Ring Knob Assy



- 1) 2674 Pin Crimping Tool
- 2) 2673 Pin Extraction Tool CPC
- 3) 2071 Clamp Cable #13
- 4) 2063 Socket CPC
- 5) 2078 Plug 9 Pin
- 6) 2077 Receptacle 9 Pin
- 7) 2064 Pin CPC
- 8) 2070 Clamp Cable #11
- 9) 2069 Plug 4 Pin
- 10) 2068 Receptacle 4 Pin

- 11) 2669 Pin Extraction Tool CPS
- 12) 1709 Socket, CPS
- 13) 1840 Receptacle, 6 Circuit CPS
- 14) 1839 Plug, 6 Circuit CPS
- 15) 1708 Pin, CPS
- 16) 1838 Receptacle, 2 circuit CPS
- 17) 1837 Plug, 2 Circuit CPS
- 18) 1836 Receptacle, 1 Circuit CPS
- 19) 1835 Plug, 1 Circuit CPS
- 20) 2057 Plug, 4 Pin - (std sex)
- 21) 2056 Receptacle 4 Pin - (std sex)