

# Film-Tech

The information contained in this Adobe Acrobat pdf file is provided at your own risk and good judgment.

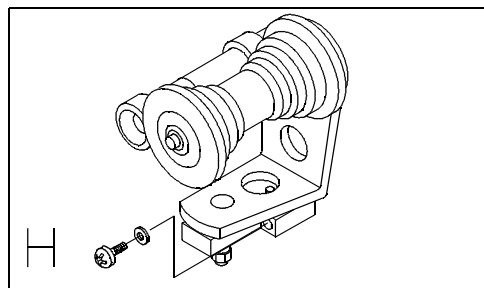
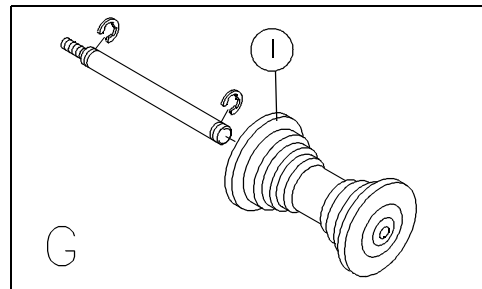
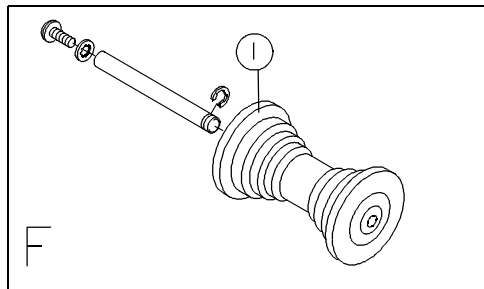
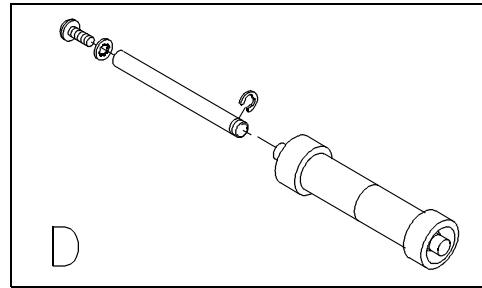
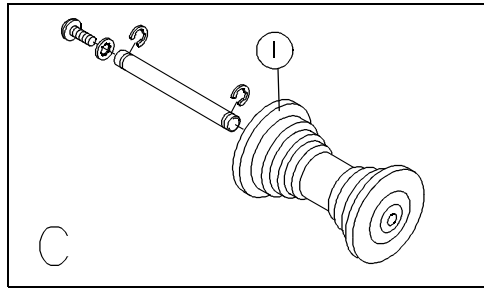
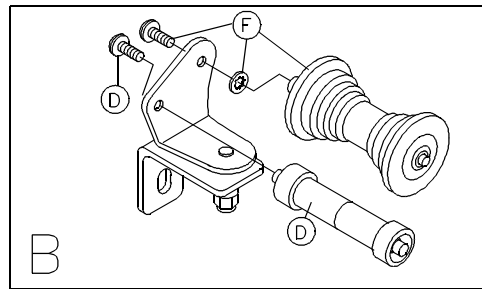
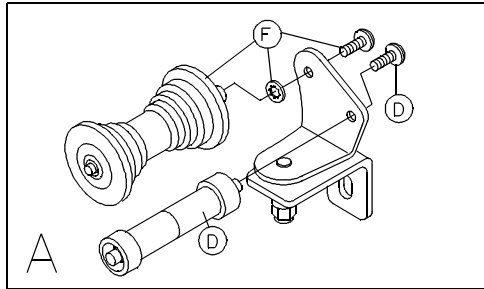
These manuals are designed to facilitate the exchange of information related to cinema projection and film handling, with no warranties nor obligations from the authors, for qualified field service engineers.

If you are not a qualified technician, please make no adjustments to anything you may read about in these Adobe manual downloads.

[www.film-tech.com](http://www.film-tech.com)

# AP & DMC 70mm Crossover Kit Parts Manual

PRODUCT INFORMATION BULLETIN # 4327  
PARTS SUPPLEMENT TO BE USED WITH AP 35mm PARTS  
MANUAL #3002 OR DMC 35mm PARTS MANUAL #3366.



## COMMON 70mm PULLEY ASSEMBLIES

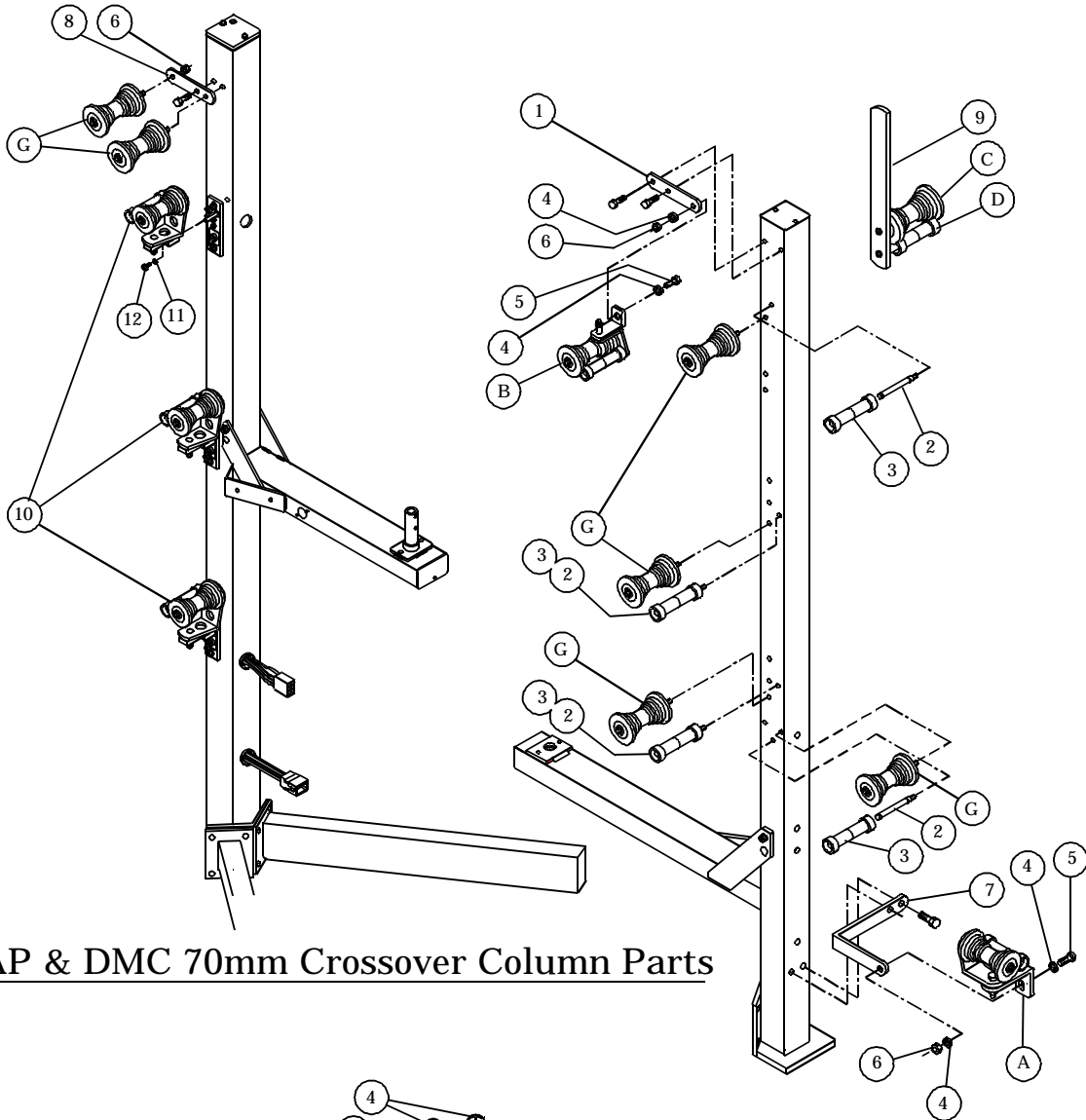
- A) 2605 Castor Swivel Assy., Left 70mm
- B) 1554 Castor Swivel Assy., Right 70mm
- C) 1556 Pulley Shaft-Castor & Pulley Assy, 70mm
- D) 2876 Spool & Shaft Assy. 70mm
- F) 3948 Pulley Shaft-#5 & Pulley Assy, 70mm
- G) 1552 Column Shaft & Pulley Assy 70mm
- I) 1715 Pulley Assy. 5/16" ID 70mm
- H) 4302 Feed Castor Block & Pulley Assy.

## **AP & DMC 70mm Crossover Column Parts**

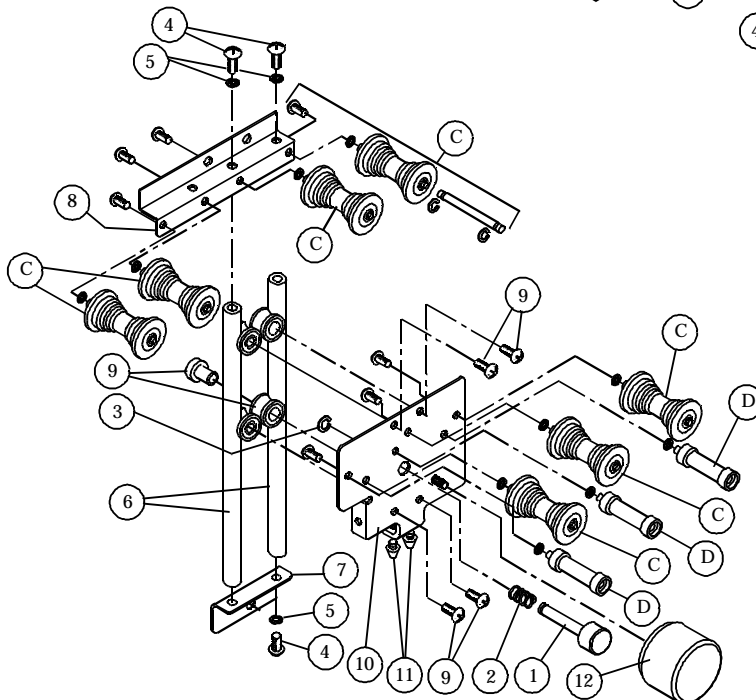
- A) 2605 Castor Swivel Assy. Left, 70mm
  - B) 1554 Castor Swivel Assy. Right, 70mm
  - C) 1556 Pulley Shaft-Castor & Pulley Assy. 70mm
  - D) 2876 Spool & Shaft Assy, 70mm
  - G) 1552 Column Shaft & Pulley Assy, 70mm
  - 1) 1409 Column R1 Castor Bracket, 70mm
  - 2) 1655 Column Pulley Shaft, 5/16" Dia. 70mm
  - 3) 1491 Spool Assy., 70mm
  - 4) 1076 Flatwasher 1/4"
  - 5) 1056 HHCS 1/4-28 x 3/4"
  - 6) 1088 Locknut, Nylon Insert 1/4-28
  - 7) 1410 Column Bottom Castor Bracket, 70mm
  - 8) 1168 Column Feed Pulley Bracket 1L
  - 9) 1498 Projector Arm Assy, 70mm (includes C & D)
  - 10) 4302 Feed Castor Block & Pulley Assy., 70mm
  - 11) 1880 Flatwasher, #6
  - 12) 1065 Screw PTH, 6-32 x 1/4"
- 

## **AP & DMC 70mm Crossover Take-Up Parts**

- 2880 Take-Up Assy. 70mm Type 3
- C) 1556 Pulley Shaft - Castor & Pulley Assy 70mm
- D) 2876 Spool & Shaft Assy 70mm
- 1) 1465 Take-Up Stop Pin
- 2) 1234 Take-Up Stop Pin Spring
- 3) 1050 E Ring 5/16"
- 4) 1071 Screw PTH 10-32 x 3/8"
- 5) 1078 Lockwasher #10, Internal Tooth
- 6) 1238 Take-up Rail
- 7) 1237 Take-Up Lower Bracket
- 8) 1794 Take-Up Upper Bracket, 70mm
- 9) 2629 Take-Up Slide Shaft & Roller Assy
- 10) 1813 Take-Up Slide Plate & Bushing 70mm Type 3
- 11) 2067 Take-up Stop Bumper
- 12) 4337 Take-Up Weight Type 2



AP & DMC 70mm Crossover Column Parts

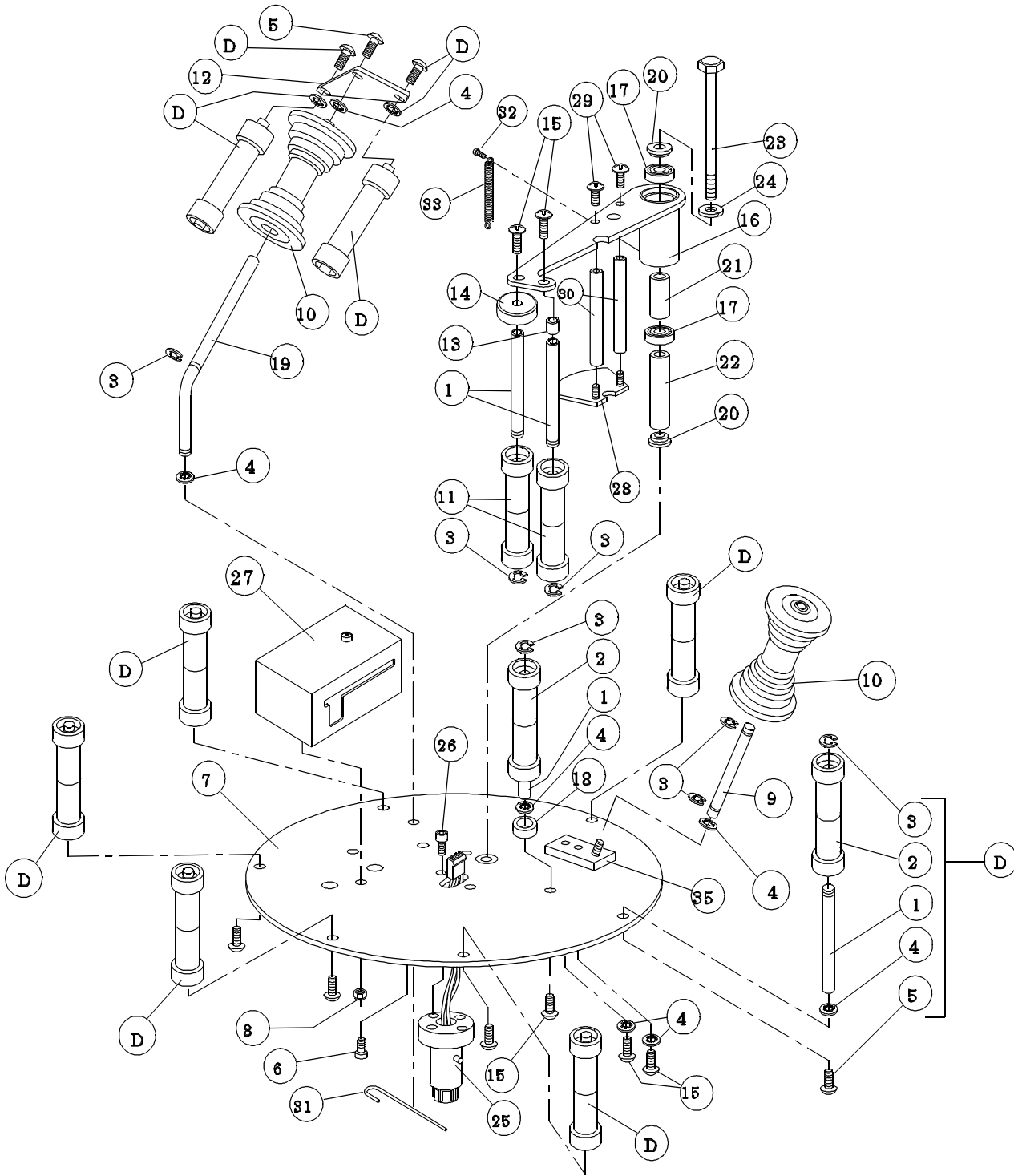


AP & DMC 70mm Crossover Take-Up Parts

**DMC 70mm Crossover Plug-In**  
**Control Plate Parts**

3942 Control Plate Assy., Plug-In 70mm DMC, Complete

- D) 2876 Spool & Shaft Assy. 70mm (Includes 1-5)
  - 1) 1431 Spool Shaft, 70mm
  - 2) 1491 Spool Assembly, 70mm
  - 3) 1050 E-Ring, 5/16"
  - 4) 1078 Lockwasher, #10, Internal Tooth
  - 5) 1071 Screw PTH, 10-32 x 3/8"
  - 6) 1592 SHCS, 10-32 x 1/2"
  - 7) 2210 Control Plate & Nut Sub Assy. 70mm
  - 8) 1032 Locknut, Nylon Insert, 4-40
  - 9) 1654 Pulley Shaft-Castor, 5/16" Dia. 70mm
  - 10) 1715 Pulley Assy. 5/16" ID, 70mm
  - 11) 3067 Sensor Arm Spool Assy. 70mm
  - 12) 1436 Control Plate Keeper Tab, 70mm
  - 13) 1153 Control Plate Arm Spool Spacer Float
  - 14) 2006 Control Plate Arm Film Spacer
  - 15) 1072 Screw, PTH, 10-32 x 1/2"
  - 16) 3954 Control Plate Sensor Arm & Hub, DMC 70mm
  - 17) 2407 Bearing, 5/8 OD x 1/4 ID
  - 18) 4301 Control Plate Feed Exit Spool Spacer, 70mm
  - 19) 1658 Control Plate Exit Shaft #3, 5/16" Dia. 70mm
  - 20) 2380 Control Plate Sensor Arm Washer
  - 21) 2379 Control Plate Sensor Arm Spacer
  - 22) 1742 Control Plate Arm Hub Standoff, 70mm
  - 23) 3009 HHCS, 1/4-28 x 3 3/4"
  - 24) 1079 Lockwasher, 1/4" Split Ring
  - 25) 3357 Control Plate, Plug-In Adapter , DMC (Includes item 26)
  - 26) 1064 SHCS, 8-32 x 3/8"
  - 27) 3358 Digital Motor Control (Control Plate)
  - 28) 2906 Control Plate Sensor Mask, DMC
  - 29) 1069 Screw, PTH, 8-32 x 3/8"
  - 30) 3952 Control Plate Mask Shaft, DMC 70mm
  - 31) 2171 Phase Control Mask Spring
  - 32) 3353 SHCS, 2-56 x 1/4"
  - 33) 3338 Control Plate Arm Return Spring, DMC
  - 35) 4323 Control Plate Angle Block, 70mm

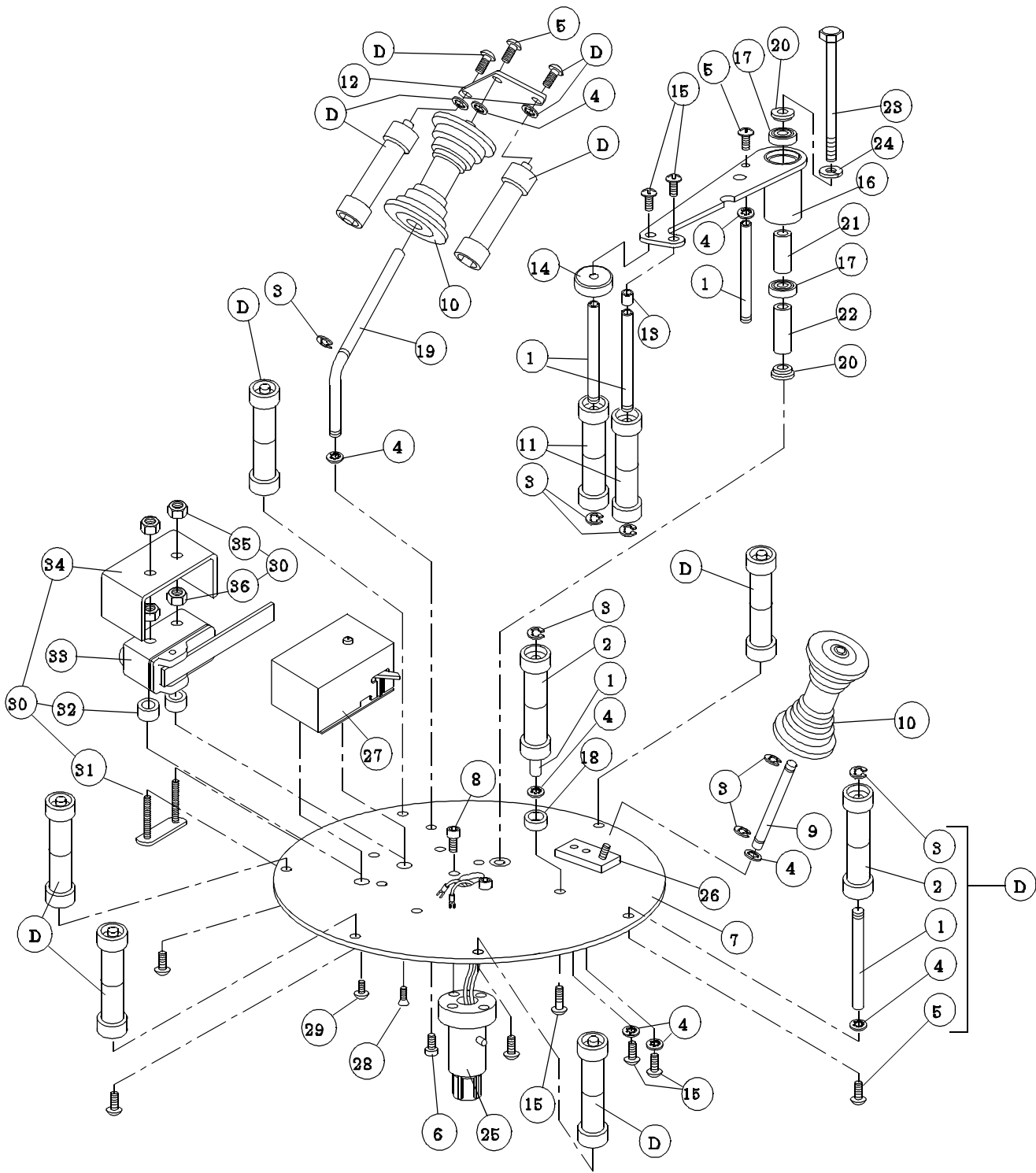


**DMC 70mm Crossover Plug-In  
Control Plate Parts**

**AP 70mm Crossover Plug-In**  
**PHC & MIC Control Plate Parts**

3046 Control Plate Assy., Plug-In 70mm MIC, Complete  
3071 Control Plate Assy., Plug-In 70mm PHC, Complete

- D) 2876 Spool & Shaft Assy. 70mm (Includes 1-5)
  - 1) 1431 Spool Shaft, 70mm
  - 2) 1491 Spool Assembly, 70mm
  - 3) 1050 E-Ring, 5/16"
  - 4) 1078 Lockwasher, #10, Internal Tooth
  - 5) 1071 Screw PTH, 10-32 x 3/8"
  - 6) 1592 SHCS, 10-32 x 1/2"
  - 7) 2210 Control Plate & Nut Sub Assy. 70mm
  - 8) 1064 SHCS, 8-32 x 3/8"
  - 9) 1654 Pulley Shaft-Castor, 5/16" Dia. 70mm
  - 10) 1715 Pulley Assy. 5/16" ID, 70mm
  - 11) 3067 Sensor Arm Spool Assy. 70mm
  - 12) 1436 Control Plate Keeper Tab, 70mm
  - 13) 1153 Control Plate Arm Spool Spacer Float
  - 14) 2006 Control Plate Arm Film Spacer
  - 15) 1072 Screw, PTH, 10-32 x 1/2"
  - 16) 1691 Control Plate Sensor Arm & Hub
  - 17) 2407 Bearing, 5/8 OD x 1/4 ID
  - 18) 4301 Control Plate Feed Exit Spool Spacer, 70mm
  - 19) 1658 Control Plate Exit Shaft #3, 5/16" Dia. 70mm
  - 20) 2380 Control Plate Sensor Arm Washer
  - 21) 2379 Control Plate Sensor Arm Spacer
  - 22) 1742 Control Plate Arm Hub Standoff, 70mm
  - 23) 3009 HHCS, 1/4-28 x 3 3/4"
  - 24) 1079 Lockwasher, 1/4" Split Ring
  - 25) 3443 Control Plate, Plug-In Adapter , 70mm (Includes item 8)
  - 26) 4323 Control Plate Angle Block, 70mm
- PHC Control Plate Only**
  - 27) 2430 Phase Control Assy., w/mounting package (incl. 28 & 29)
  - 28) 1070 Screw, PFH, 8-32 x 3/8"
  - 29) 1069 Screw, PTH, 8-32 x 3/8"
- MIC Control Plate Only**
  - 30) 3610 Control Plate Micro Switch Mount Hardware  
(Includes 31, 32, 34, 35 & 36)
  - 31) 1469 Switch Adjusting Plate Assy.
  - 32) 1240 Spacer, 5/16" x 13/64" x 1/4"
  - 33) 2536 Micro Switch-Flat Blade-HD
  - 34) 1595 Micro Switch Cover
  - 35) 1084 Locknut, Nylon Insert, 6-32
  - 36) 1083 Hex Nut, 6-32



**AP 70mm Crossover Plug-In**  
**PHC & MIC Control Plate Parts**