

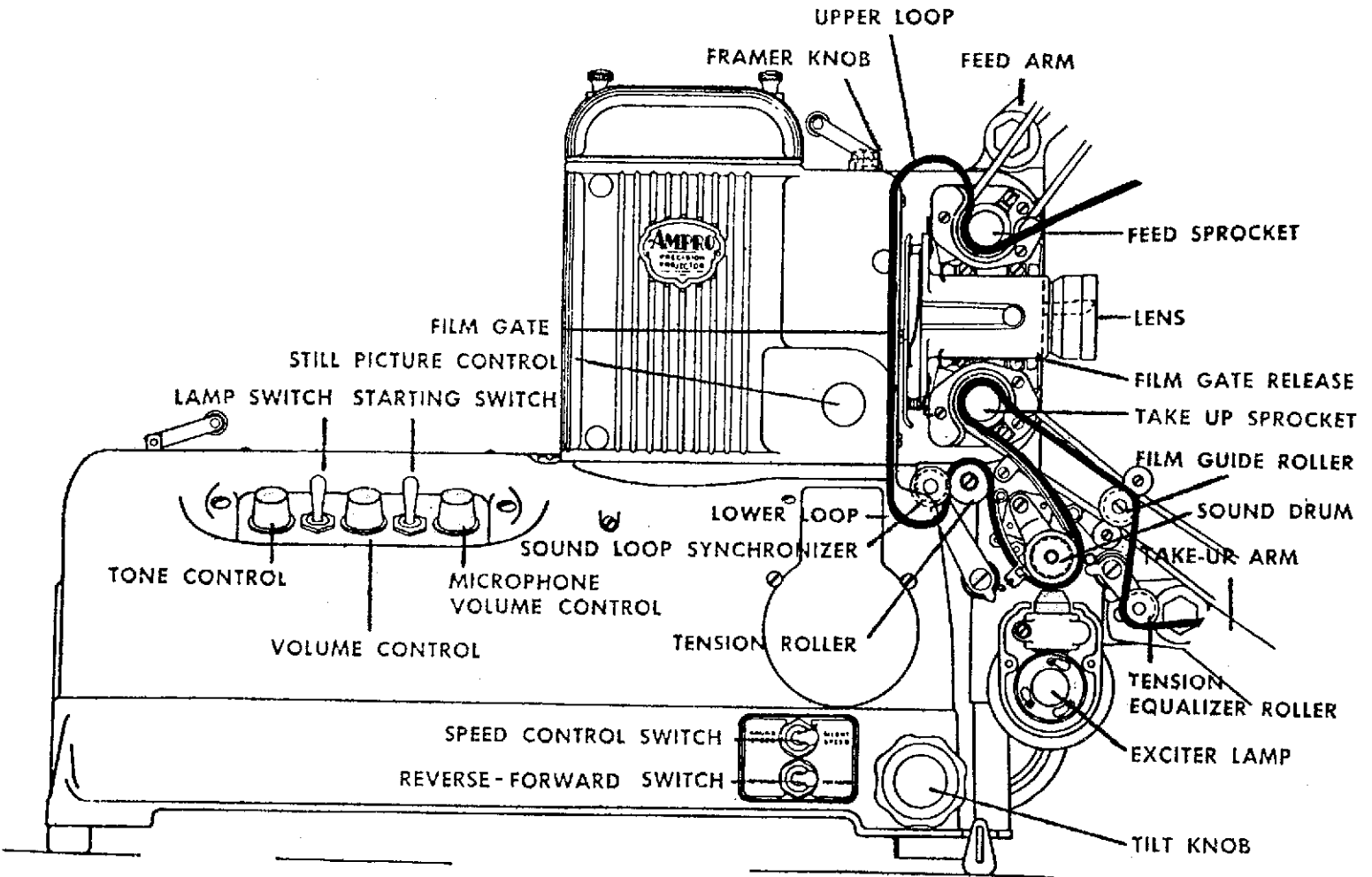
FILM-TECH

THE INFORMATION CONTAINED IN THIS ADOBE ACROBAT PDF FILE IS PROVIDED AT YOUR OWN RISK AND GOOD JUDGMENT.

THESE MANUALS ARE DESIGNED TO FACILITATE THE EXCHANGE OF INFORMATION RELATED TO CINEMA PROJECTION AND FILM HANDLING, WITH NO WARRANTIES NOR OBLIGATIONS FROM THE AUTHORS, FOR QUALIFIED FIELD SERVICE ENGINEERS.

IF YOU ARE NOT A QUALIFIED TECHNICIAN, PLEASE MAKE NO ADJUSTMENTS TO ANYTHING YOU MAY READ ABOUT IN THESE ADOBE MANUAL DOWNLOADS.

WWW.FILM-TECH.COM

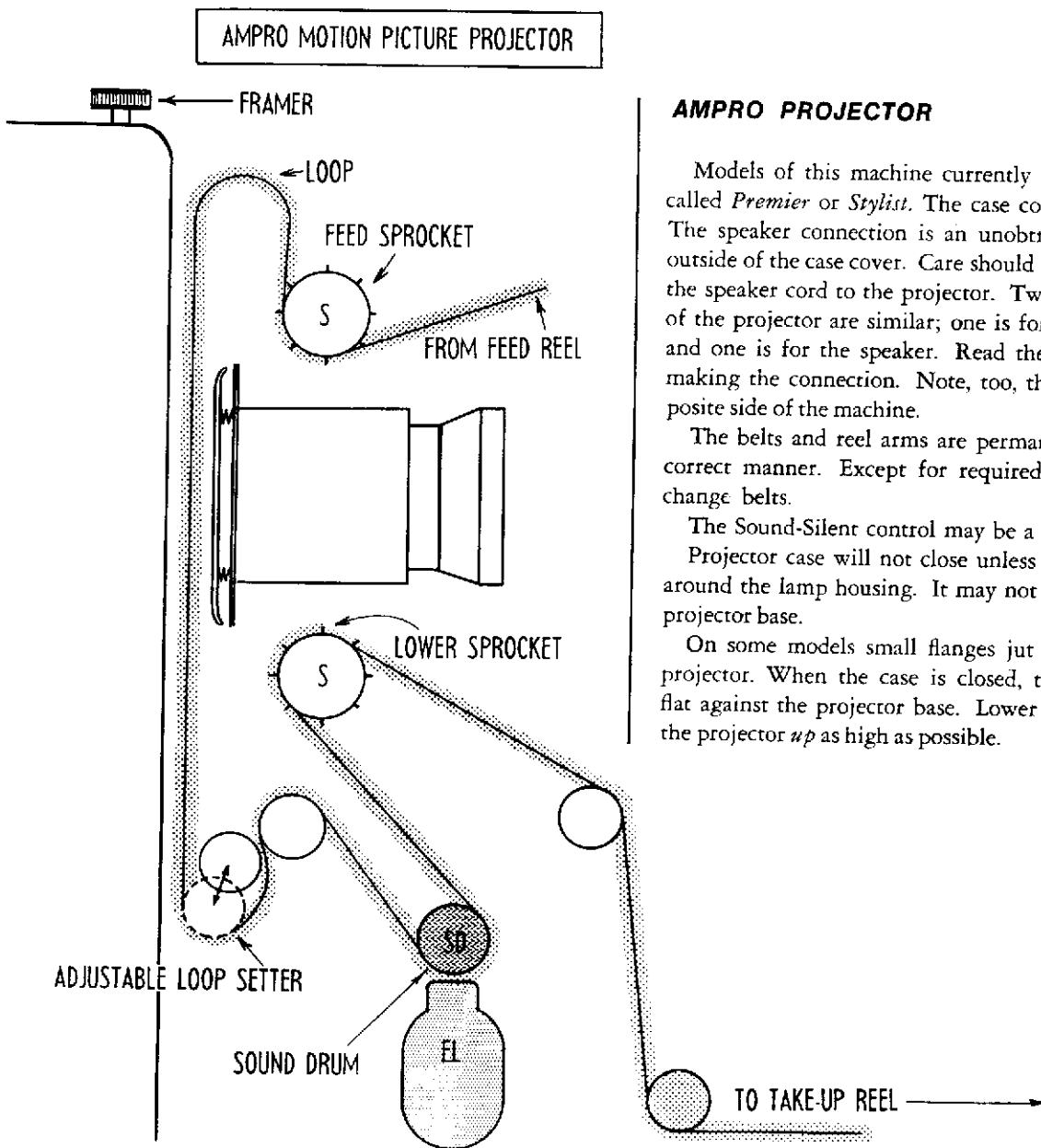


AMPRO THREADING

1. Place full reel on feed arm and pull out about three feet of film.
2. Thread feed sprocket.
3. Form upper loop.
4. Thread film channel. (Push sound loop synchronizer to rear position).
5. Place film over tension roller.
6. Thread film around sound drum.
7. Thread take-up sprocket (close film gate and move sound loop synchronizer to forward position).
8. Thread film over guide roller and under the film tension equalizing roller.
9. Attach loose end of film to take-up reel.
10. Check threading by turning manual adjusting knob on left side of projector.

REWINDING

1. Attach loose end of film in slot in upper reel.
2. Move belt shifter to maximum counter-clockwise position.
3. Throw reverse-forward switch to "reverse".
4. Throw motor switch to "start".
5. Push in the rewind clutch button.



AMPRO PROJECTOR

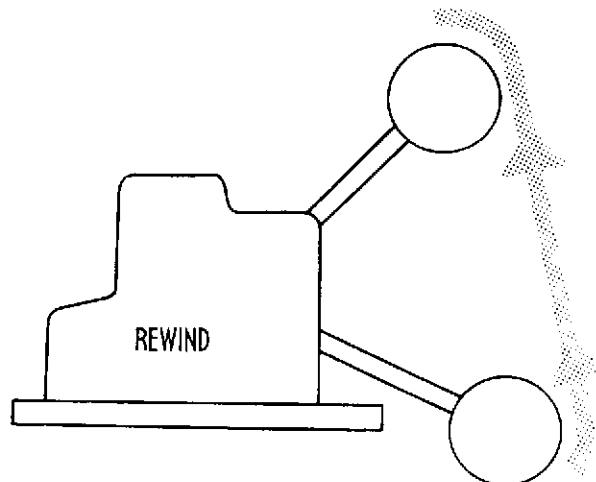
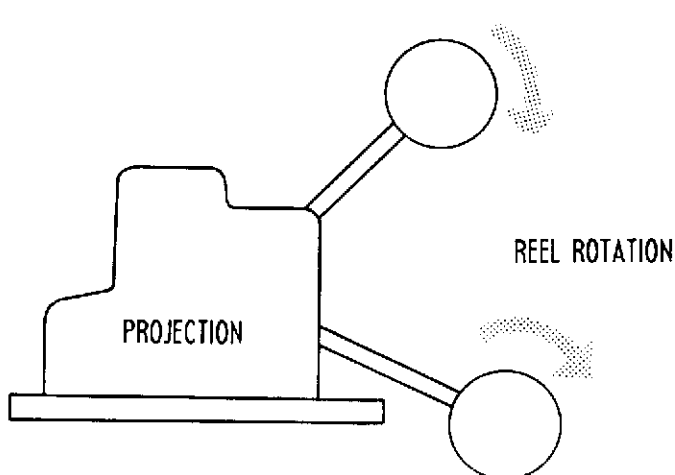
Models of this machine currently in widespread use are called *Premier* or *Stylist*. The case cover holds the speaker. The speaker connection is an unobtrusive opening on the outside of the case cover. Care should be taken in connecting the speaker cord to the projector. Two openings at the rear of the projector are similar; one is for use of a microphone and one is for the speaker. Read the label carefully when making the connection. Note, too, the controls on the opposite side of the machine.

The belts and reel arms are permanently attached in the correct manner. Except for required replacement, do not change belts.

The Sound-Silent control may be a variable speed device.

Projector case will not close unless power cord is wound around the lamp housing. It may not be wound around the projector base.

On some models small flanges jut from the rear of the projector. When the case is closed, these flanges must be flat against the projector base. Lower the flanges by tilting the projector *up* as high as possible.



In **THREADING** the projector, note the following:

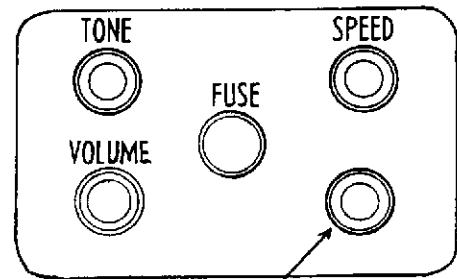
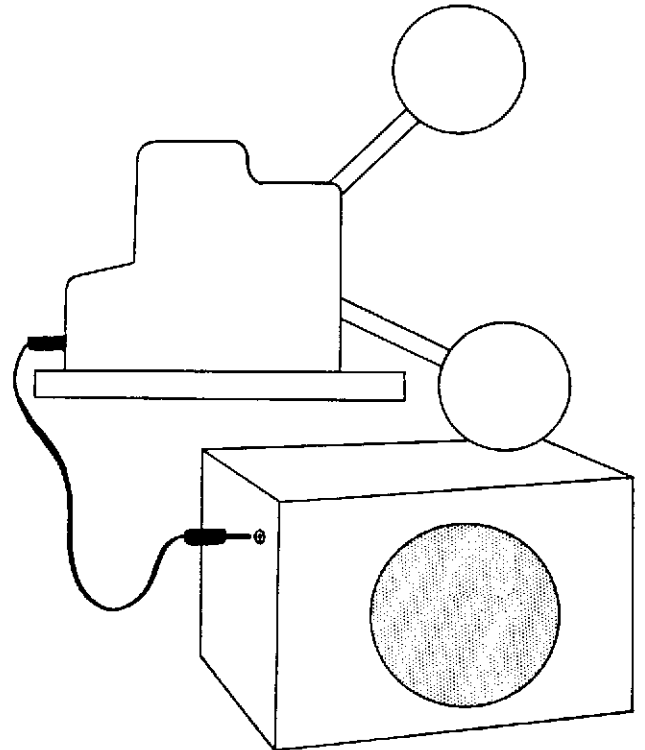
1. The lens release opens both sprocket clamps when the lens is moved forward.
2. Below the lens is an automatic adjustable *loop-setter*. When pressed *down*, it forms a loop of the correct size. It must be *up* during actual projection.
3. Film is threaded *outside* the metal guides to and from the sound drum.
4. Make certain that the belt-changing lever (on lower reel arm) is down *under* the pulley.

In **REWINDING** the film, note the following:

1. Leave completed film reel on lower reel arm. Move the belt-changing lever (on lower reel arm) up on *top* of pulley.
2. If the projector has a reverse switch, use it. Turn on motor.
3. Press in Rewind button (on opposite side of machine) and hold it in a few seconds. The rewind operation will then continue until the film is rewind.

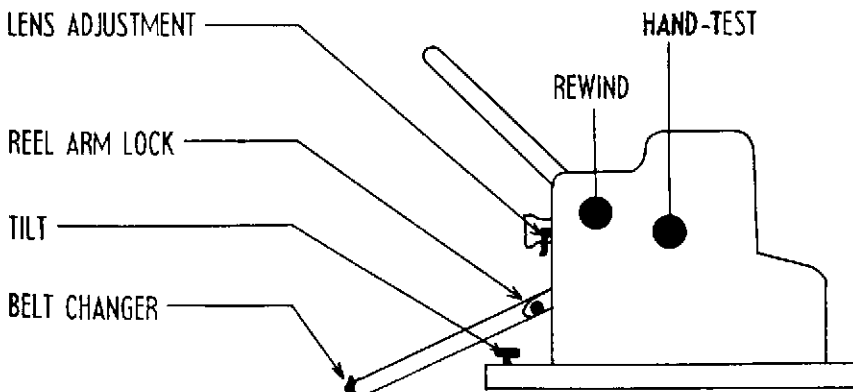
To correct loose film over the sound drum, check the size of film loops and reset the adjustable loop-setter. Make certain that the loop-setter is *up* for projection. Watching the film over the metal guides going to and from the sound drum, turn the hand-test knob (on the opposite side of the machine). When the film seems tight against the metal guides, good sound should result.

In setting the lower loop, below the film channel, make certain that the film is free in the channel *before* using the loop-setter. If the claw behind the lens is gripping the film, adjusting the loop-setter will tear sprocket holes.



PROJECTOR AND PROJECTION LAMP

OPPOSITE-SIDE VIEW



REAR VIEW
CORD CONNECTIONS

