

Film-Tech

The information contained in this Adobe Acrobat pdf file is provided at your own risk and good judgment.

These manuals are designed to facilitate the exchange of information related to cinema projection and film handling, with no warranties nor obligations from the authors, for qualified field service engineers.

If you are not a qualified technician, please make no adjustments to anything you may read about in these Adobe manual downloads.

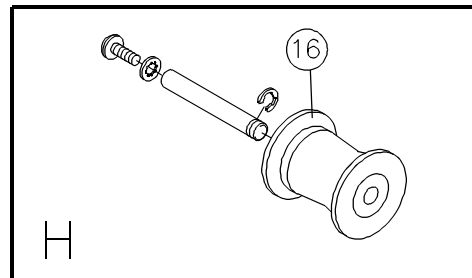
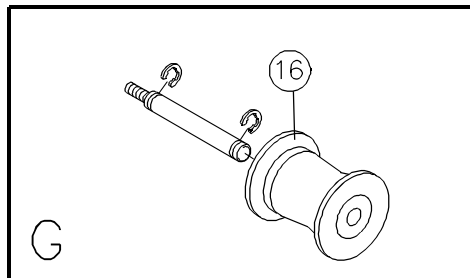
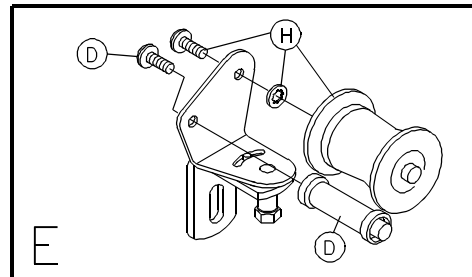
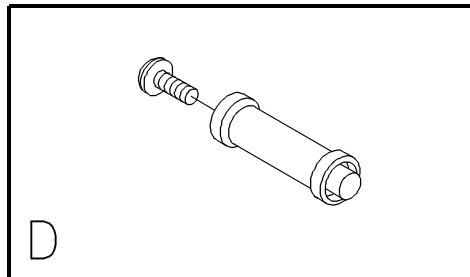
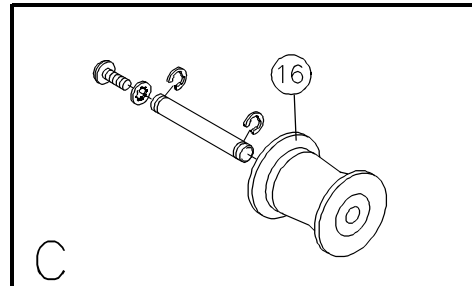
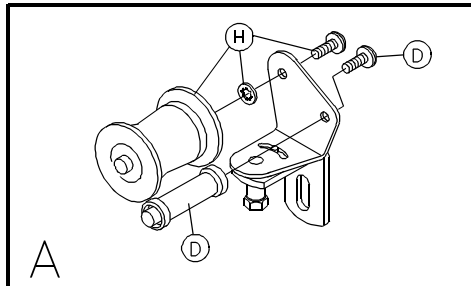
www.film-tech.com

Alpha Parts Manual

PRODUCT INFORMATION BULLETIN # 2996

Record Platter System Identification Numbers Here:

Model # _____ Serial # _____



COMMON PULLEY ASSEMBLIES

- A) 2604 Castor Swivel Assy, Left 35mm
- C) 1447 Pulley Shaft #6 & Pulley Assy 35mm
- D) 2602 Keeper Shaft & Spool Assy
- E) 1505 Castor Swivel Assy, Right 35mm
- G) 1504 Column Shaft & Pulley Assy 35mm
- H) 1774 Pulley Shaft #5 & Pulley Assy 35mm
- 16) 2881 Pulley 35mm 5/16" ID

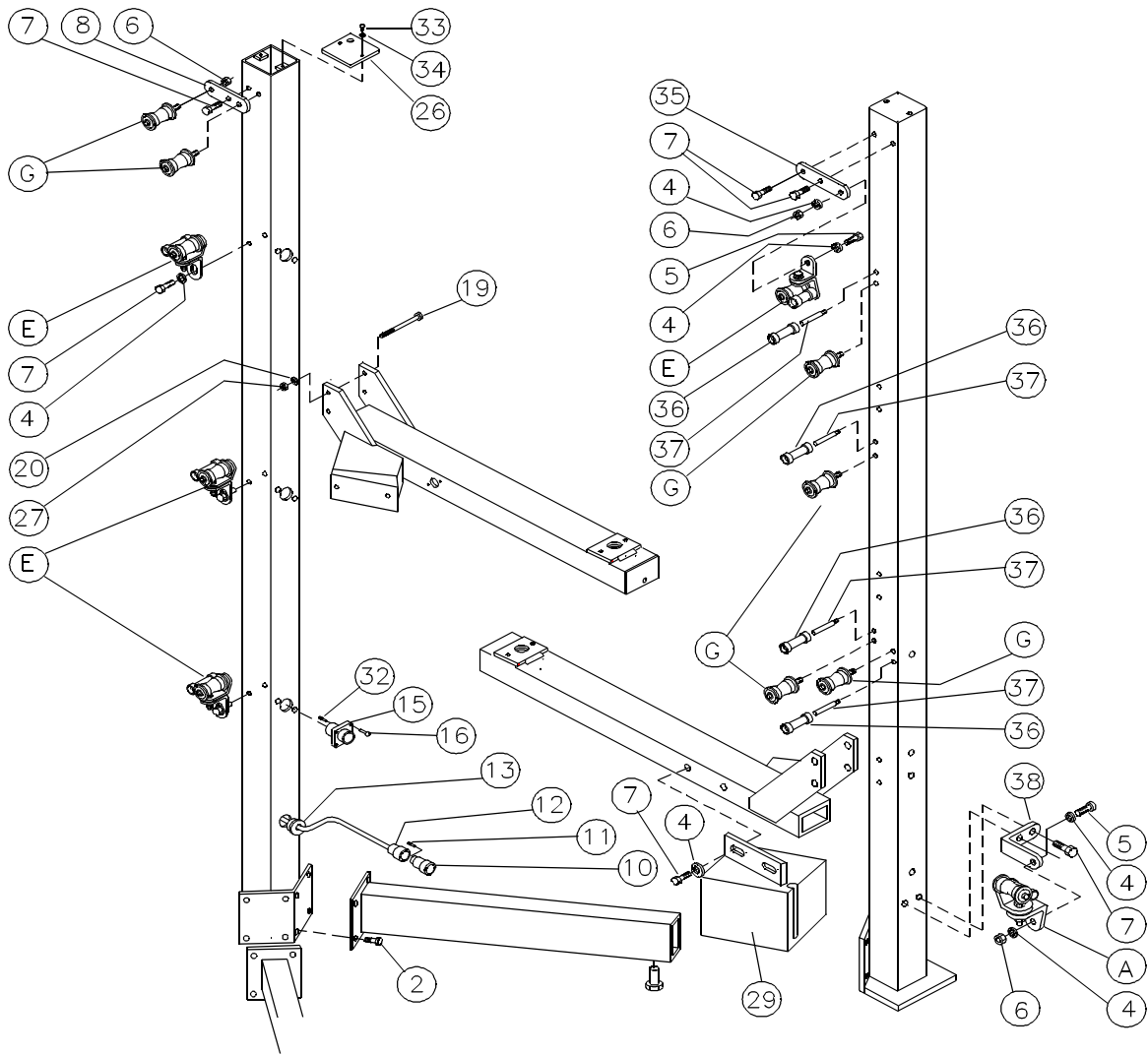
A3 Column Parts

A) 2604 Castor Swivel Assy, Left 35mm	19) 1062 HHCS 5/16-18 x 5"
E) 1505 Castor Swivel Assy, Right 35mm	20) 1080 Lockwasher 5/16", Split Ring
G) 1504 Column Shaft & Pulley Assy 35mm	26) 3331 Column End Cap
2) 1063 SHCS 3/8-16 x 5/8"	27) 1090 Nut Hex 5/16-18
4) 1076 Flatwasher 1/4"	29) 3415 Variac assy. Arm mnt. (Post 1996)
5) 1056 HHCS 1/4-28 x 3/4"	2205 Variac assy. Arm mounted (Pre 1996)
6) 1088 Locknut, Nylon Insert 1/4-28	32) 1709 Socket, CPS
7) 1055 HHCS 1/4-28 x 1/2"	33) 1072 Screw PTH 10-32 x 1/2"
8) 1168 Column Feed Pulley Bracket 1L	34) 1075 Flatwasher #10
10) 2078 Plug 9 Pin	35) 3402 Column Payout Swivel Mnt. Brkt.
11) 2063 Pin Female	36) 1991 Spool 35mm
12) 2071 Clamp Cable #3	37) 1173 Column Pulley Shaft.
13) 2391 Strain Relief 5/8 x .125 (.325/.36 dia.)	38) 1170 Column Bottom Castor Bracket 35mm
15) 1840 Receptacle, 6 Circuit CPS	39) 2367 HWHS 1/4 x 20 x 5/8"
16) 1179 Bushing, Open/Closed 7/8"	

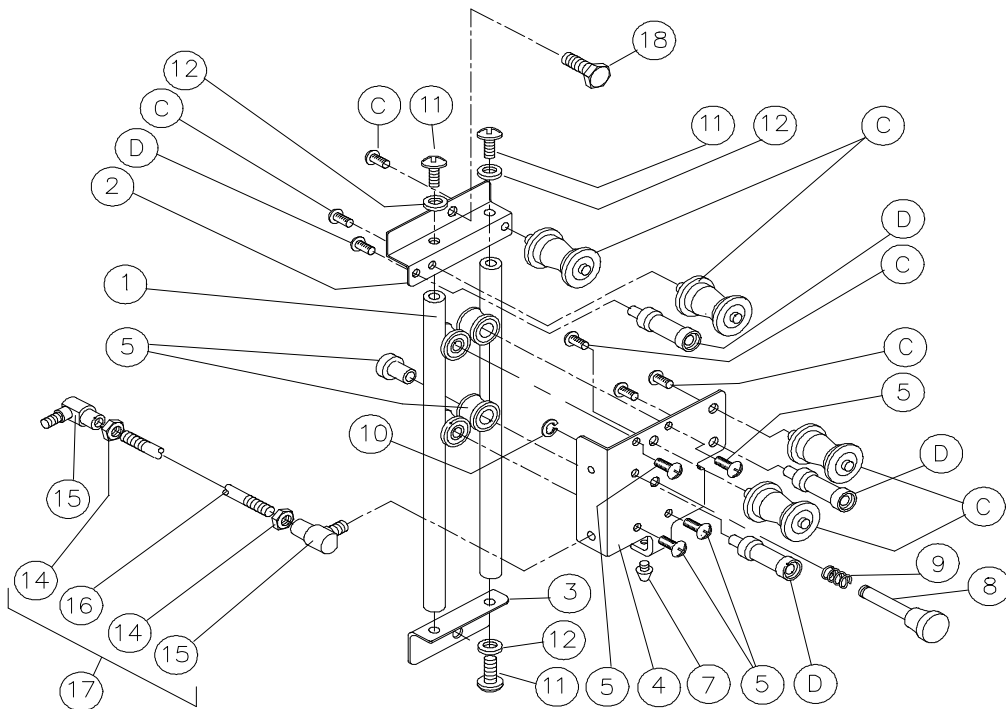
A3 Take-Up Parts

2518 Take-Up Assy. A.

C) 1447 Pulley Shaft #6 & Pulley Assy 35mm	9) 1234 Take-Up Stop Pin Spring
D) 2602 Keeper Shaft & Spool Assy	10) 1050 E Ring 5/16"
1) 1238 Take-up Rail	11) 1071 Screw PTH 10-32 x 3/8"
2) 1236 Take-Up Upper Bracket	12) 1078 Lockwasher #10, Internal Tooth
3) 1237 Take-Up Lower Bracket	14) 1087 Nut Hex 1/4-28
4) 1797 Take-Up Plt. & Bushing	15) 2660 Ball Swivel 1/4-28
Alpha 35mm type 2	16) 2247 Variac Linkage Rod A.
5) 2629 Take-Up Slide Shaft & Roller Assy	17) 2272 Variac Linkage Rod Assembly A.
7) 2067 Take-up Stop Bumper	18) 1055 HHCS 1/4-28 x 1/2"
8) 1415 Take-Up Stop Pin	



A3 Column Parts



A3 Take-Up Parts

A3 Variac Parts

2205 Variac Assy. Arm Mount. (Pre 1996)
3415 Variac Assy. Arm Mount. (1996 and later)

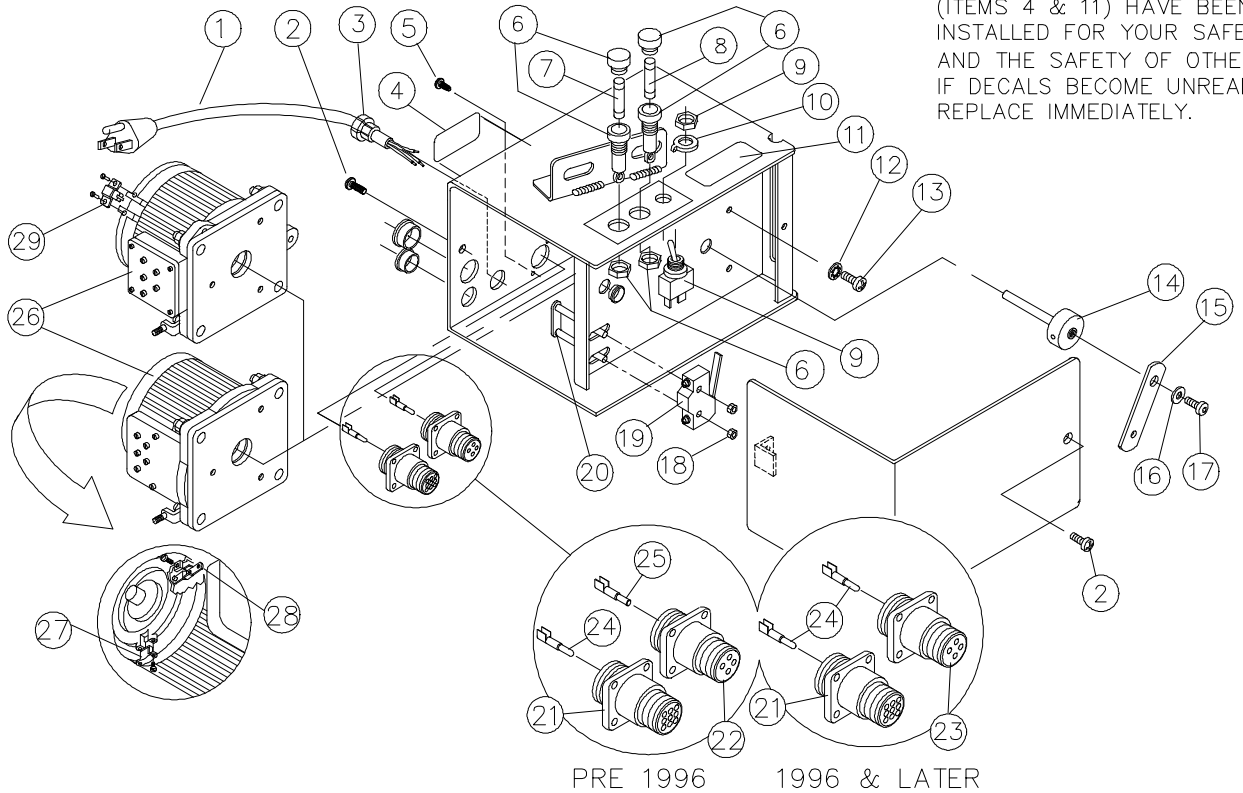
- | | |
|--|--|
| 1) 1029 Power Cord 3 Wire | 16) 1075 Flatwasher #10 |
| 2) 1071 Screw PTH 10-32 x 3/8" | 17) 1233 Button Head Cap Screw 10-32 x 3/8" |
| 3) 2391 Strain Relief 5/8 x .125 (.325/.36 dia) | 18) 1083 Nut Hex 6-32 |
| 4) 3790 Decal, Cord | 19) 2536 Micro Switch-Flat Blade-HD |
| 5) 2521 Screw PPH #8 x 3/8" Type 25 | 20) 1469 Switch Adjusting Plate Assy |
| 6) 1009 Fuse Holder | 21) 2077 Receptacle 9 Pin |
| 7) 2338 Fuse 1.5 AMP 250v | 22) 2068 Receptacle 4 Pin, (Rev. Sex) |
| 8) 2265 Fuse 8 AMP 125v | 23) 2056 Receptacle 4 Pin (Std. Sex) |
| 9) 1024 Toggle Switch SPST On-Off | 24) 2507 Pin CPC |
| 10) 1081 Washer Switch Keyed | 25) 2506 Socket CPC |
| 11) 3788 Decal, Fuse | 26) 1006 Transformer 110v Replacement Kit |
| 12) 1078 Lockwasher #10 - Internal Tooth | *27) 1005 Brush, Variac (Staco 1010) |
| 13) 1069 Screw PTH 8-32 x 3/8" | *28) 2103 Contact Assembly Variac (Staco 1010) |
| 14) 1643 Variac Shaft & Hub Sub-
Assy. Type 2 | *29) 4445 Brush, Variac (Powerstat 116CU) |
| 15) 1640 Variac Link Type 2 | |

* Refer to the transformer face plate for manufacturer's name and model number. Order replacement parts for the manufacturer specified. No replacement contact is required for Powerstat transformers.
Transformers are interchangeable.

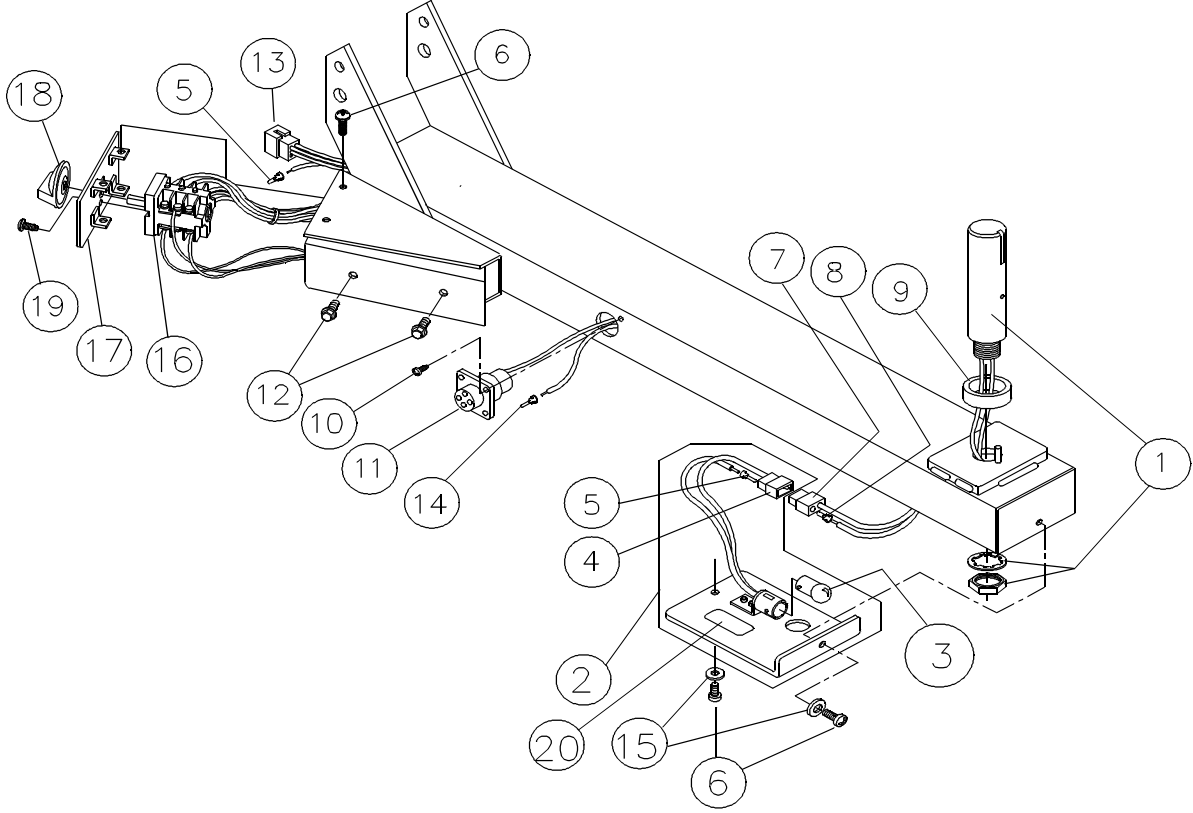
A3 Arm Parts

- | | |
|--------------------------------------|--|
| 1) 2359 Arm Spindle Plug In Retrofit | 12) 2367 HWHS 1/4-20 x 5/8" |
| 2) 2085 Arm Light Cover Assy. | 13) 1839 Plug, 6 Circuit CPS |
| 3) 2129 Bulb 115v Bayonette Base | 14) 2063 Socket, CPC |
| 4) 1837 Plug, 2 Circuit CPS | 15) 1075 Flatwasher #10 |
| 5) 1708 Pin, CPS | 16) 2352 Selector Switch Alpha |
| 6) 1071 Screw PTH 10-32 x 3/8" | 17) 1728 Arm Switch Mount. Plate Weldment
Alpha |
| 7) 1838 Receptacle, 2 Circuit CPS | 18) 2631 Knob-Selector Switch |
| 8) 1709 Socket, CPS | 19) 2521 Screw PPH #8 X 3/8" Type 25 |
| 9) 1183 Arm Bearing Spacer | 20) 3787 Decal, Bulb Replacement |
| 10) 1065 Screw PTH 6-32 x 1/4" | |
| 11) 2068 Receptacle 4 Pin | |

NOTE: DECALS #3790 & 3788 (ITEMS 4 & 11) HAVE BEEN INSTALLED FOR YOUR SAFETY AND THE SAFETY OF OTHERS. IF DECALS BECOME UNREADABLE REPLACE IMMEDIATELY.



A3 Variac



A3 Arm

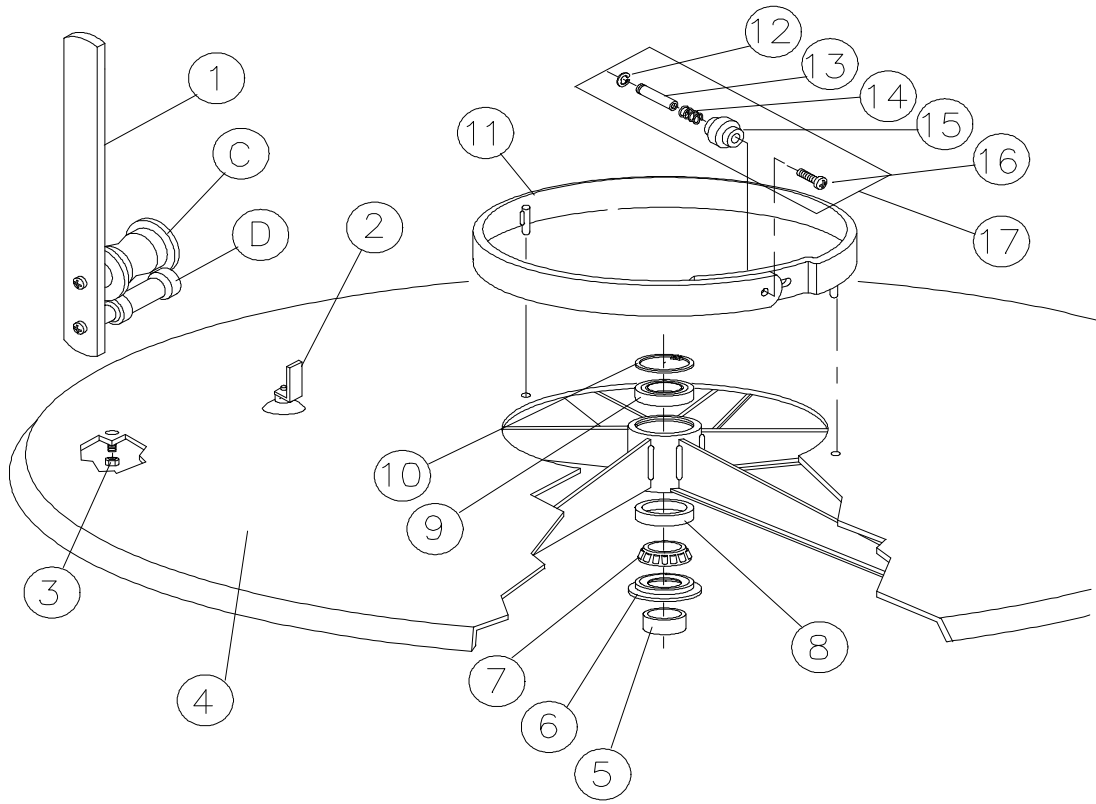
A3 Disk, Center Ring & Projector Arm Parts

- | | | |
|---|-----|---|
| C) 1447 Pulley Shaft #6 & Pulley Assy 35mm | 9) | 1254 Disk Upper Bearing |
| D) 2602 Keeper Shaft & Spool Assy | 10) | 1255 Disk Upper Bearing Retaining Ring |
| 1) 1515 Projector Arm Assy 35mm (Incl. C & D) | 11) | 1471 Center Ring Assy (includes item #17) |
| 2) 2225 Disk Suction Cup Assy | 12) | 1050 E Ring 5/16" |
| 3) 1084 Locknut, Nylon Insert 6-32 | 13) | 1265 Shaft #9 |
| 4) 1865 One Disk Crated 52" or | 14) | 1266 Center Ring Knob Spring |
| 1854 One Disk Crated 42" | 15) | 1264 Center Ring Knob |
| 5) 1183 Arm Bearing Spacer | 16) | 1070 Screw PFH 8-32 x 3/8" |
| 6) 1258 Disk Lower Bearing Grease Retainer | 17) | 1827 Center Ring Knob Assy |
| 7) 1256 Disk Lower Bearing | | |
| 8) 1257 Disk Lower Bearing Race Cup | | |
-

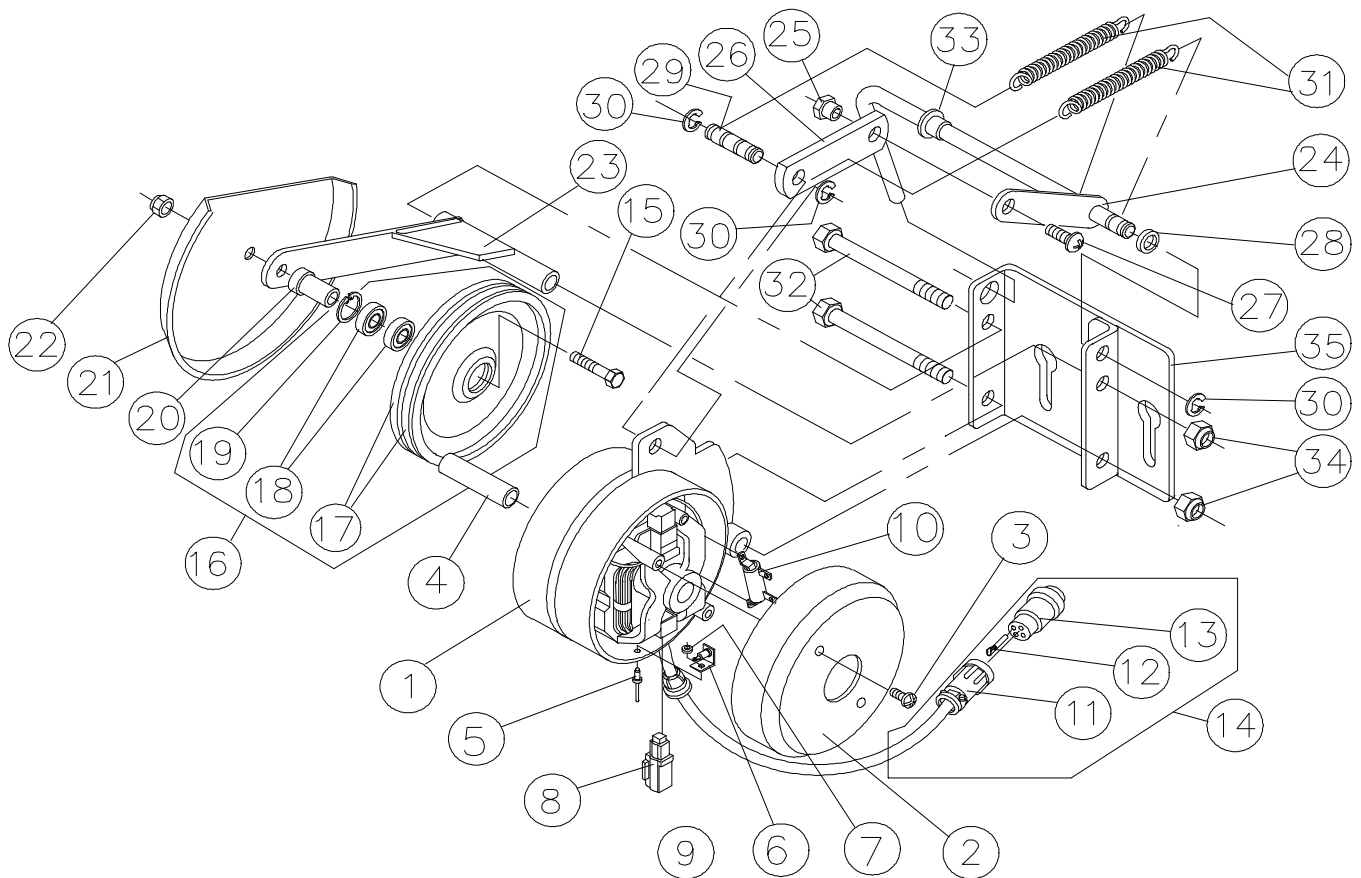
A3 Drive Motor Parts

1826 Drv. Mtr Assy. Type 3 Alpha (Includes all items shown)

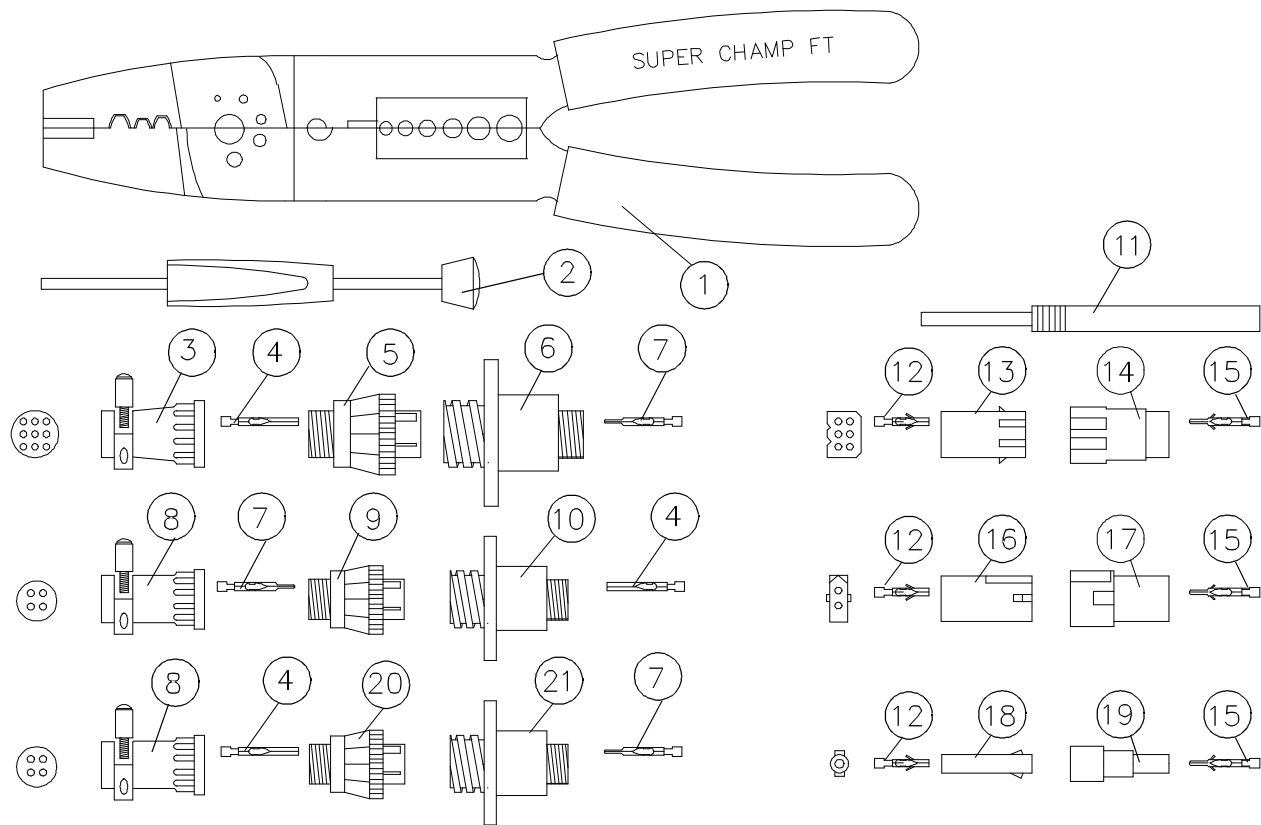
- | | | |
|---|-----|---|
| 2) 1192 Drv Mtr End Cover | 20) | 1633 Drive Motor Wheel Spacer Type 3 |
| 3) 1091 Screw PPH 10-24 x 3/8" Type F | 21) | 1632 Drive Motor Wheel Shield Type 3 |
| 4) 1630 Drv Mtr Hub Type 3, 3/8" dia | 22) | 1088 Locknut, Nylon Insert 1/4-28 |
| 5) 1052 Pop Rivet 1/8" X 5/16" Steel | 23) | 1620 Drive Motor Wheel Arm
Weldment Type 3 |
| 6) 1775 Drv Mtr Diode & Brkt Assy | 24) | 1618 Drive Motor Toggle Handle Weldment
Type 3 |
| 7) 2026 Back-Up Plt Pop Rivet 1/8" | 25) | 1631 Drive Motor Linkage Connector Type 3 |
| 8) 1004 Brush Motor 115 volt (1 pair) | 26) | 1634 Drive Motor Connector Link Type 3 |
| 9) 2856 Strain Relief 5/8 x .062 | 27) | 1071 Screw PTH 10-32 x 3/8" |
| 11) 2070 Clamp Cable #11 | 28) | 2774 Nylon Washer, 1/2"OD x .320" |
| 12) 2064 Pin Male | 29) | 1402 Drive Motor Spring Pin |
| 13) 2069 Plug 4 Pin | 30) | 1050 E Ring 5/16" |
| 14) 2299 Drv Motor Plug Wire Harness A | 31) | 1818 Drive Motor Spring Type 3 |
| 15) 2370 HHCS 1/4-28 x 1 1/4" | 32) | 3009 HHCS 1/4-28 x 3 18) 2066 Bearing |
| 16) 2140 Drive Motor Wheel Assy | 33) | 1128 Bushing Plastic 1/2" |
| 17) 2362 Drive Motor Rubber Tire | 35) | 2796 Drive Motor Adjustment Plate Assy.
Type 4 |
| 18) 2066 Drive Wheel 7/8 OD x 3/8 ID 3/4" | | |
| 19) 2224 Retaining Ring Internal 7/8" | 36) | 1253 Resistor 2 OHM with Mounting
Hardware |



A3 Disk, Center Ring & Projector Arm



A3 Drive Motor



- 1) 2674 Pin Crimping Tool
- 2) 2673 Pin Extraction Tool CPC
- 3) 2071 Clamp Cable #13
- 4) 2063 Socket CPC
- 5) 2078 Plug 9 Pin
- 6) 2077 Receptacle 9 Pin
- 7) 2064 Pin CPC
- 8) 2070 Clamp Cable #11
- 9) 2069 Plug 4 Pin
- 10) 2068 Receptacle 4 Pin
- 11) 2669 Pin Extraction Tool CPS
- 12) 1709 Socket, CPS
- 13) 1840 Receptacle, 6 Circuit CPS
- 14) 1839 Plug, 6 Circuit CPS
- 15) 1708 Pin, CPS
- 16) 1838 Receptacle, 2 circuit CPS
- 17) 1837 Plug, 2 Circuit CPS
- 18) 1836 Receptacle, 1 Circuit CPS
- 19) 1835 Plug, 1 Circuit CPS
- 20) 2057 Plug, 4 Pin - (std sex)
- 21) 2056 Receptacle 4 Pin - (std sex)