

# Film-Tech

The information contained in this Adobe Acrobat pdf file is provided at your own risk and good judgment.

These manuals are designed to facilitate the exchange of information related to cinema projection and film handling, with no warranties nor obligations from the authors, for qualified field service engineers.

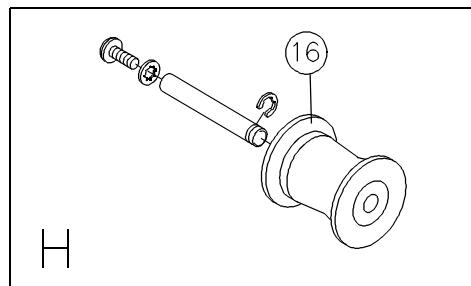
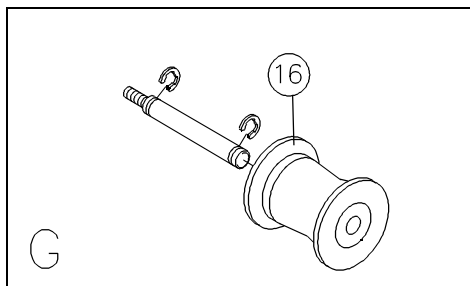
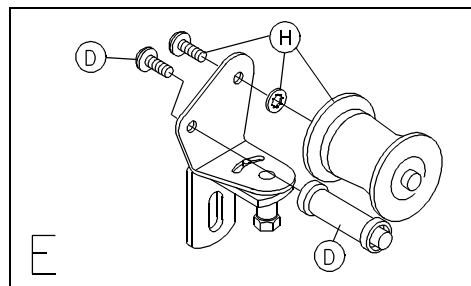
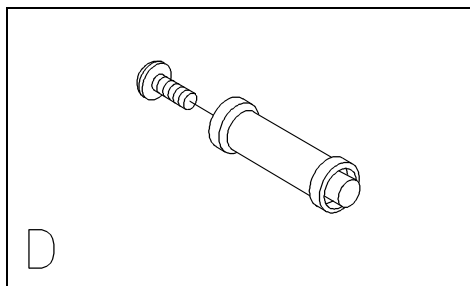
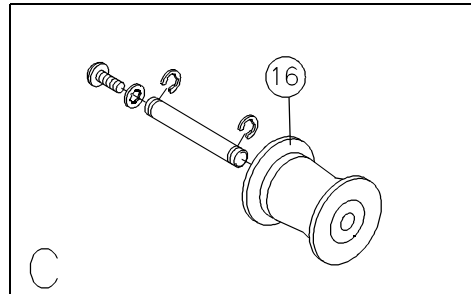
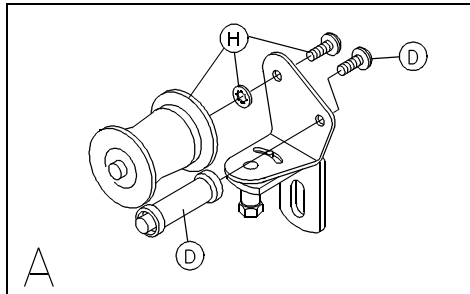
If you are not a qualified technician, please make no adjustments to anything you may read about in these Adobe manual downloads.

[www.film-tech.com](http://www.film-tech.com)

# Alpha 5-Deck Parts Manual

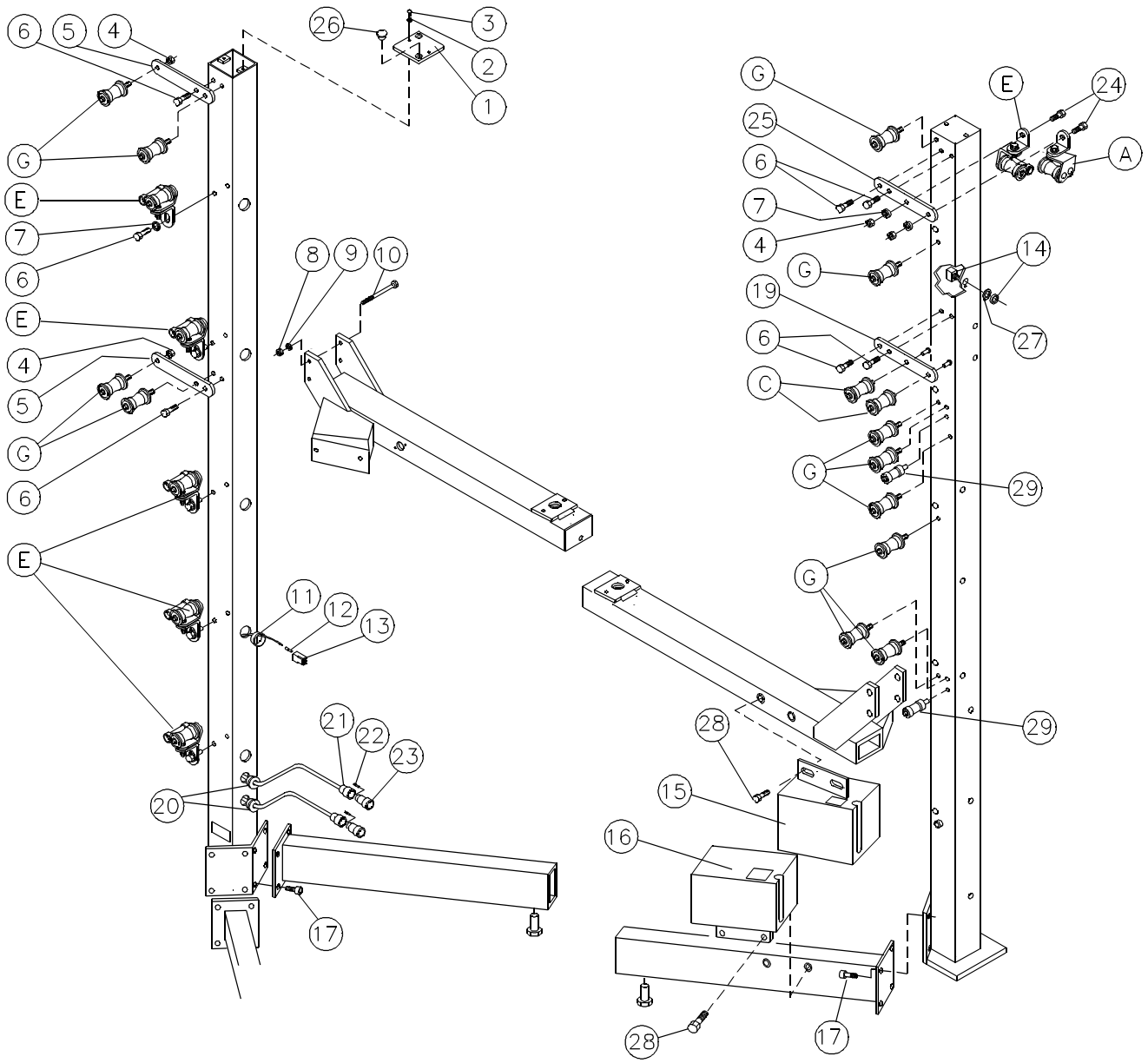
PRODUCT INFORMATION BULLETIN #2995

Record Platter System Identification Numbers Here:  
Model # \_\_\_\_\_ Serial # \_\_\_\_\_



## COMMON PULLEY ASSEMBLIES

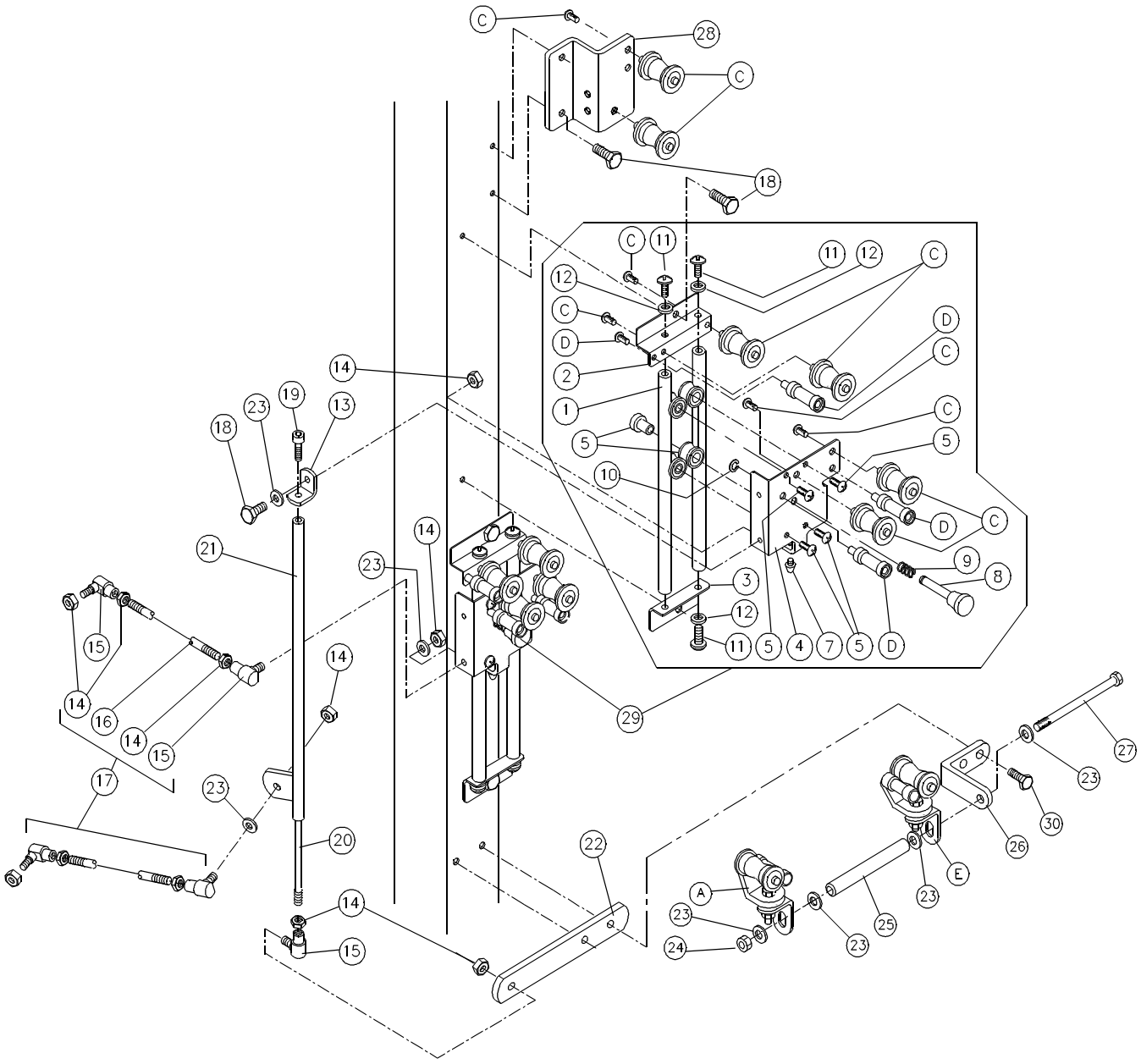
- A) 2604 Castor Swivel Assy-Left 35mm
- C) 1447 Pulley Shaft #6 & Pulley Assy. 35mm
- D) 2602 Keeper Shaft & Spool Assy.
- E) 1505 Castor Swivel Assy-Right 35mm
- G) 1504 Column Shaft & Pulley Assy. 35mm
- H) 1774 Pulley Shaft #5 & Pulley Assy. 35mm
- 16) 2881 Pulley 35mm 5/16" ID



**Alpha 5 Column Parts**

### Alpha 5 Column Parts

- A) 2604 Castor Swivel Assembly, Left 35mm
- C) 1447 Pulley Shaft #6 & Pulley Assy. 35mm
- E) 1505 Castor Swivel Assy, Right 35mm
- G) 1504 Column Shaft & Pulley Assy. 35mm
- 1) 3332 Column End Cap, 5-Deck
- 2) 1075 Flatwasher, #10
- 3) 1072 Screw PTH 10-32 x 1/2"
- 4) 1088 Locknut, Nylon Insert, 1/4-28
- 5) 1168 Column Feed Pulley Bracket
- 6) 1055 HHCS 1/4-28 x 1/2"
- 7) 1076 Flatwasher, 1/4"
- 8) 1090 Hex Nut, 5/16-28
- 9) 1080 Lockwasher, 5/16"-Split Ring
- 10) 1062 HHCS 5/16-18 x 5"
- 11) 1179 Bushing, Open/Closed 7/8"
- 12) 1709 Socket CPS
- 13) 1840 Receptacle, 6 Circuit CPS
- 14) 1012 Toggle Switch, DPDT ON-OFF-ON
- 15) 3415 Variac Assembly 5-Deck- Arm Mount
- 16) 2526 Variac Assembly 5-Deck- Leg Mount
- 17) 1063 SHCS 3/8-16 x 5/8'
- 18) 1079 Lockwasher, 1/4"
- 19) 1329 Column Twin Pulley Bracket
- 20) 1803 Strain Relief, 5/8 x .156
- 21) 2071 Clamp Cable #13
- 22) 2063 Socket CPC
- 23) 2078 Plug, 9-pin
- 24) 1056 HHCS 1/4-28 x 3/4"
- 25) 1328 Column Twin Castor Bracket
- 26) 1224 Hole Plug 5/8"
- 27) 1081 Washer Switch Keyed
- 28) 2367 HWHS 1/4-20 x 5/8"
- 29) 1173 Column Pulley Shaft
- 1991 Spool, 35mm



**Alpha 5 Take-Up & Lower Castor**

### Alpha 5 Take-Up & Lower Castor

- A) 2604 Castor Swivel Assy.-Left 35mm
- C) 1447 Pulley Shaft #6 & Pulley Assy, 35mm
- D) 2602 Keeper Shaft & Spool Assy.
- E) 1505 Castor Swivel Assy.-right 35mm
- 1) 1238 Take-Up Rail
- 2) 1236 Take-Up Upper Bracket
- 3) 1237 Take-Up Lower Bracket
- 4) 1793 Take-Up Plate & Bushing
- 5) 2629 Take-Up Slide Shaft & Roller Assy.
- 7) 2067 Take-Up Stop Bumper
- 8) 1465 Take-Up Stop Pin
- 9) 1234 Take-Up Stop Pin Spring
- 10) 1050 E-Ring, 5/16"
- 11) 1071 Screw PTH 10-32 x 3/8"
- 12) 1078 Lockwasher #10, Internal Tooth
- 13) 1933 Take-Up Slide Tube Bracket
- 14) 1087 Hex Nut, 1/4-28
- 15) 2660 Ball Swivel, 1/4-28
- 16) 2247 Variac Linkage Rod
- 17) 2272 Variac Linkage Rod Assy.
- 18) 1055 HHCS 1/4-28 x 1/2"
- 19) 1106 SHCS 5/16-18 x 3/4"
- 20) 1123 Take-Up Extension Rod
- 21) 1930 Take-Up Slide Tube
- 22) 1124 Column Take-Up Linkage Bracket
- 23) 1076 Flatwasher, 1/4"
- 24) 1088 Locknut, Nylon Insert, 1/4-28
- 25) 1330 Spacer, 3/8"OD x 1/4" ID x 2.75"
- 26) 1170 Column Bottom Castor Bracket 35mm
- 27) 1061 HHCS 1/4-28 x 4"
- 28) 1929 Column 5-Deck Offset Bracket.
- 29) 2518 Take-Up Assy.
- 30) 1056 HHCS 1/4-28 x 3/4"

### **Alpha 5 Arm Mount Variac Parts**

2205 Variac Assy. Arm Mount. (Pre 1996)  
3415 Variac Assy. Arm Mount. (1996 and later)

- |  |  |
|--|--|
| 1) 1029 Power Cord 3 Wire                        | 16) 1075 Flatwasher #10                        |
| 2) 1071 Screw PTH 10-32 x 3/8"                   | 17) 1233 Button Head Cap Screw 10-32 x 3/8"    |
| 3) 2391 Strain Relief 5/8 x .125 (.325/.36 dia)  | 18) 1083 Nut Hex 6-32                          |
| 4) 3790 Decal, Cord                              | 19) 2536 Micro Switch-Flat Blade-HD            |
| 5) 2521 Screw PPH #8 x 3/8" Type 25              | 20) 1469 Switch Adjusting Plate Assy           |
| 6) 1009 Fuse Holder                              | 21) 2077 Receptacle 9 Pin                      |
| 7) 2338 Fuse 1.5 AMP 250v                        | 22) 2068 Receptacle 4 Pin, (Rev. Sex)          |
| 8) 2265 Fuse 8 AMP 125v                          | 23) 2056 Receptacle 4 Pin (Std. Sex)           |
| 9) 1024 Toggle Switch SPST On-Off                | 24) 2507 Pin CPC                               |
| 10) 1081 Washer Switch Keyed                     | 25) 2506 Socket CPC                            |
| 11) 3788 Decal, Fuse                             | 26) 1006 Transformer 110v Replacement Kit      |
| 12) 1078 Lockwasher #10 - Internal Tooth         | *27) 1005 Brush, Variac (Staco 1010)           |
| 13) 1069 Screw PTH 8-32 x 3/8"                   | *28) 2103 Contact Assembly Variac (Staco 1010) |
| 14) 1643 Variac Shaft & Hub Sub-<br>Assy. Type 2 | *29) 4445 Brush, Variac (Powerstat 116CU)      |
| 15) 1640 Variac Link Type 2                      |  |

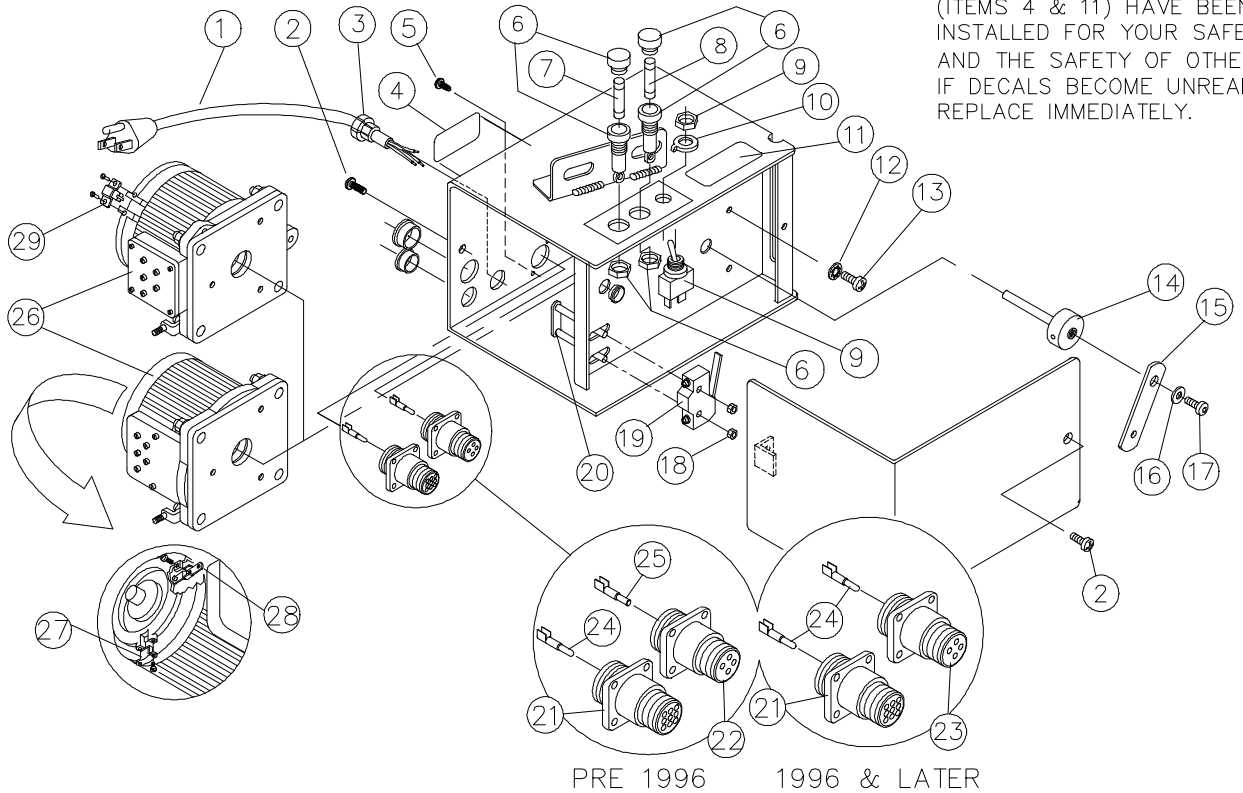
\* Refer to the transformer face plate for manufacturer's name and model number. Order replacement parts for the manufacturer specified. No replacement contact is required for Powerstat transformers.  
Transformers are interchangeable.

---

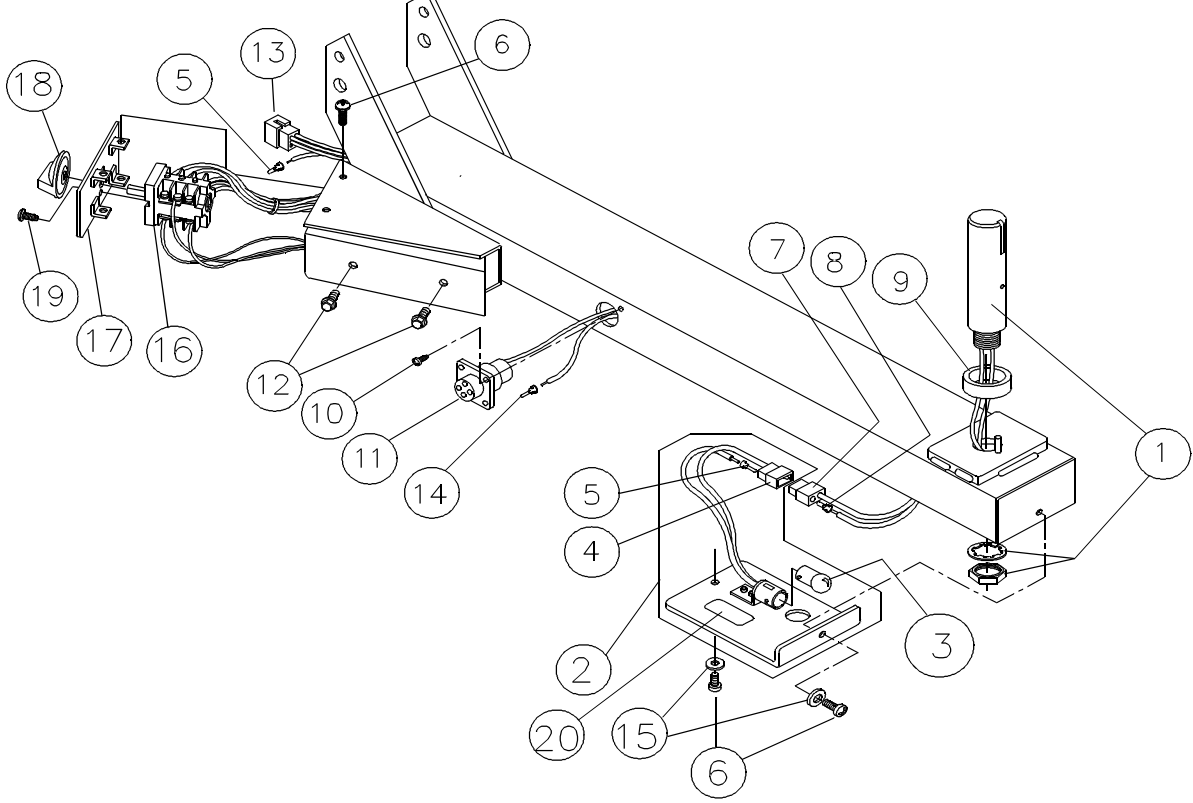
### **Alpha 5 Arm Parts**

- |                                      |  |
|--------------------------------------|--|
| 1) 2359 Arm Spindle Plug In Retrofit | 12) 2367 HWHS 1/4-20 x 5/8"                        |
| 2) 2085 Arm Light Cover Assy.        | 13) 1839 Plug, 6 Circuit CPS                       |
| 3) 2129 Bulb 115v Bayonette Base     | 14) 2063 Socket, CPC                               |
| 4) 1837 Plug, 2 Circuit CPS          | 15) 1075 Flatwasher #10                            |
| 5) 1708 Pin, CPS                     | 16) 2352 Selector Switch Alpha                     |
| 6) 1071 Screw PTH 10-32 x 3/8"       | 17) 1728 Arm Switch Mount. Plate<br>Weldment Alpha |
| 7) 1838 Receptacle, 2 Circuit CPS    | 18) 2631 Knob-Selector Switch                      |
| 8) 1709 Socket, CPS                  | 19) 2521 Screw PPH #8 X 3/8" Type 25               |
| 9) 1183 Arm Bearing Spacer           | 20) 3787 Decal, Bulb Replacement                   |
| 10) 1065 Screw PTH 6-32 x 1/4"       |  |
| 11) 2068 Receptacle 4 Pin            |  |

NOTE: DECALS #3790 & 3788 (ITEMS 4 & 11) HAVE BEEN INSTALLED FOR YOUR SAFETY AND THE SAFETY OF OTHERS. IF DECALS BECOME UNREADABLE REPLACE IMMEDIATELY.



**Alpha 5Arm Mount Variac**





## Alpha 5 Disk, Center Ring & Projector Arm Parts

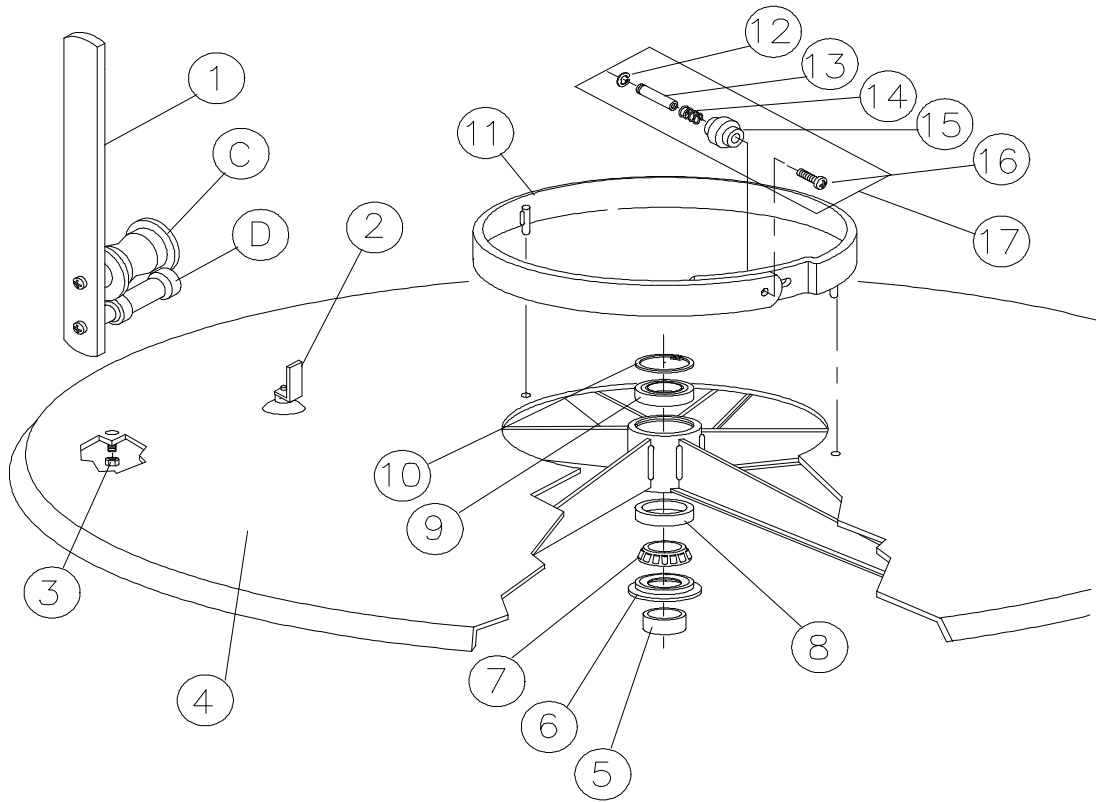
C) 1447 Pulley Shaft #6 & Pulley Assy 35mm	9) 1254 Disk Upper Bearing
D) 2602 Keeper Shaft & Spool Assy	10) 1255 Disk Upper Bearing Retaining Ring
1) 1515 Projector Arm Assy 35mm (Incl. C & D)	11) 1471 Center Ring Assy (includes item #17)
2) 2225 Disk Suction Cup Assy	12) 1050 E Ring 5/16"
3) 1084 Locknut, Nylon Insert 6-32	13) 1265 Shaft #9
4) 1865 One Disk Crated 52" or	14) 1266 Center Ring Knob Spring
1854 One Disk Crated 42"	15) 1264 Center Ring Knob
5) 1183 Arm Bearing Spacer	16) 1070 Screw PFH 8-32 x 3/8"
6) 1258 Disk Lower Bearing Grease Retainer	17) 1827 Center Ring Knob Assy
7) 1256 Disk Lower Bearing	
8) 1257 Disk Lower Bearing Race Cup	

---

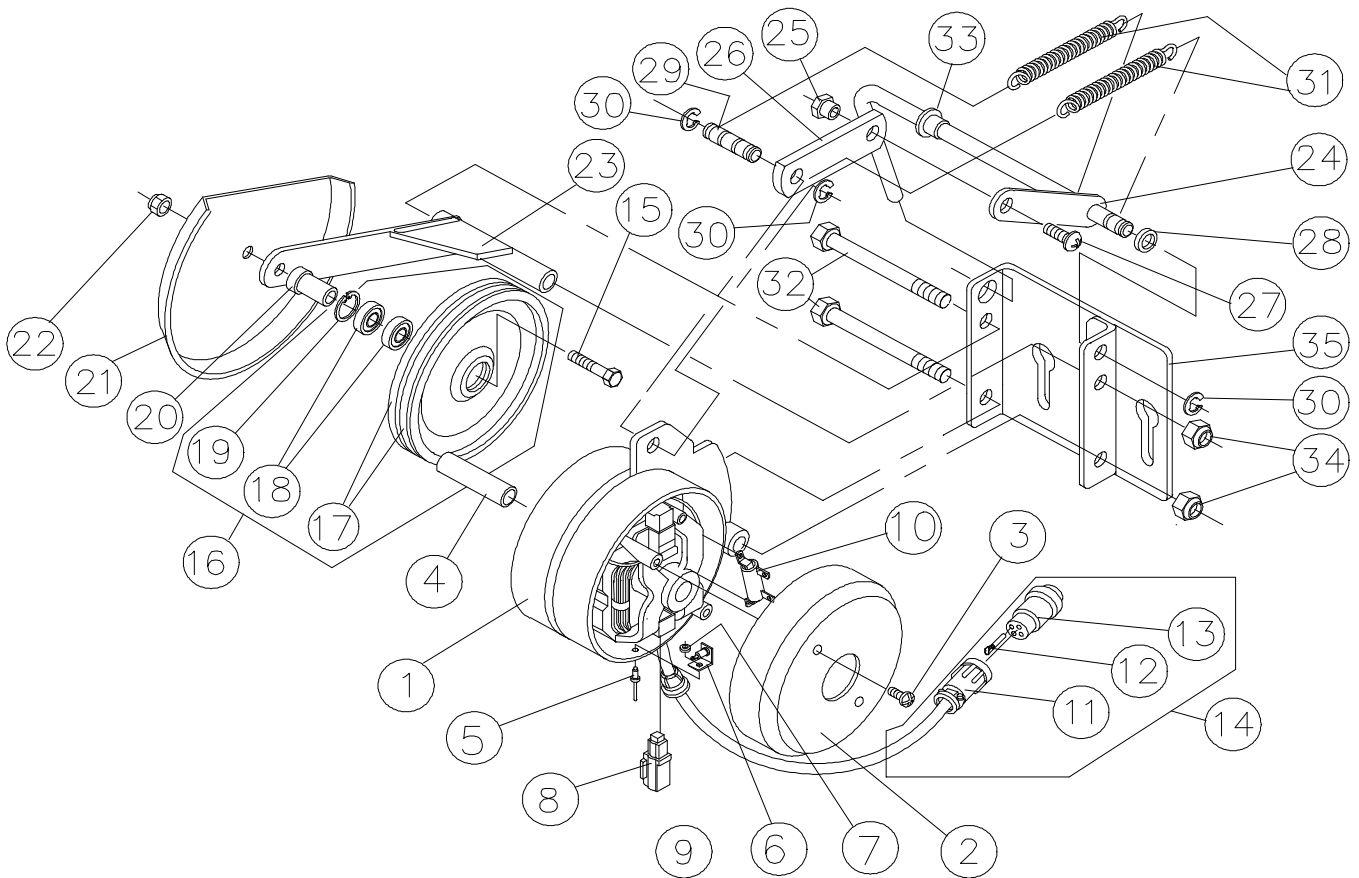
## Alpha 5 Drive Motor Parts

1826 Drive Motor Assembly Type 3 Alpha (Includes all items shown)

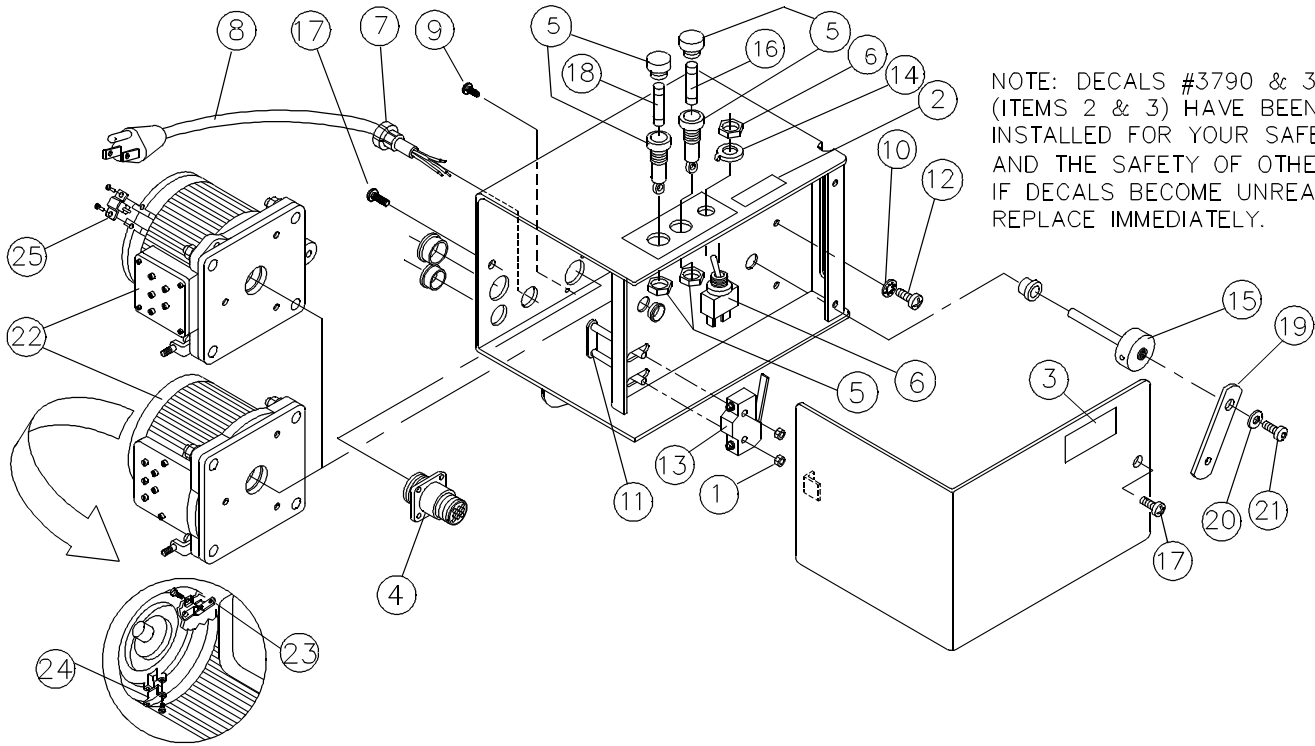
2) 1192 Drv Mtr End Cover	20) 1633 Drive Motor Wheel Spacer Type 3
3) 1091 Screw PPH 10-24 x 3/8" Type F	21) 1632 Drive Motor Wheel Shield Type 3
4) 1630 Drv Mtr Hub Type 3, 3/8" dia	22) 1088 Locknut, Nylon Insert 1/4-28
5) 1052 Pop Rivet 1/8" X 5/16" Steel	23) 1620 Drive Motor Wheel Arm Weldment Type 3
6) 1775 Drv Mtr Diode & Brkt Assy	24) 1618 Drive Motor Toggle Handle Weldment Type 3
7) 2026 Back-Up Plt Pop Rivet 1/8"	25) 1631 Drive Motor Linkage Connector Type 3
8) 1004 Brush Motor 115 volt (1 pair)	26) 1634 Drive Motor Connector Link Type 3
9) 2856 Strain Relief 5/8 x .062	27) 1071 Screw PTH 10-32 x 3/8"
11) 2070 Clamp Cable #11	28) 2774 Nylon Washer, 1/2" OD x .320"
12) 2064 Pin Male	29) 1402 Drive Motor Spring Pin
13) 2069 Plug 4 Pin	30) 1050 E Ring 5/16"
14) 2299 Drv Motor Plug Wire Harness A	31) 1818 Drive Motor Spring Type 3
15) 2370 HHCS 1/4-28 x 1 1/4"	32) 3009 HHCS 1/4-28 x 3 18)
16) 2140 Drive Motor Wheel Assy	33) 2066 Bearing
17) 2362 Drive Motor Rubber Tire	34) 1128 Bushing Plastic 1/2"
18) 2066 Drive Wheel 7/8 OD x 3/8 ID 3/4"	35) 2796 Drive Motor Adjustment Plate Assy. Type 4
19) 2224 Retaining Ring Internal 7/8"	36) 1253 Resistor 2 OHM with Mounting Hardware



**Alpha 5 Disk, Center Ring & Projector Arm**



**Alpha 5 Drive Motor**

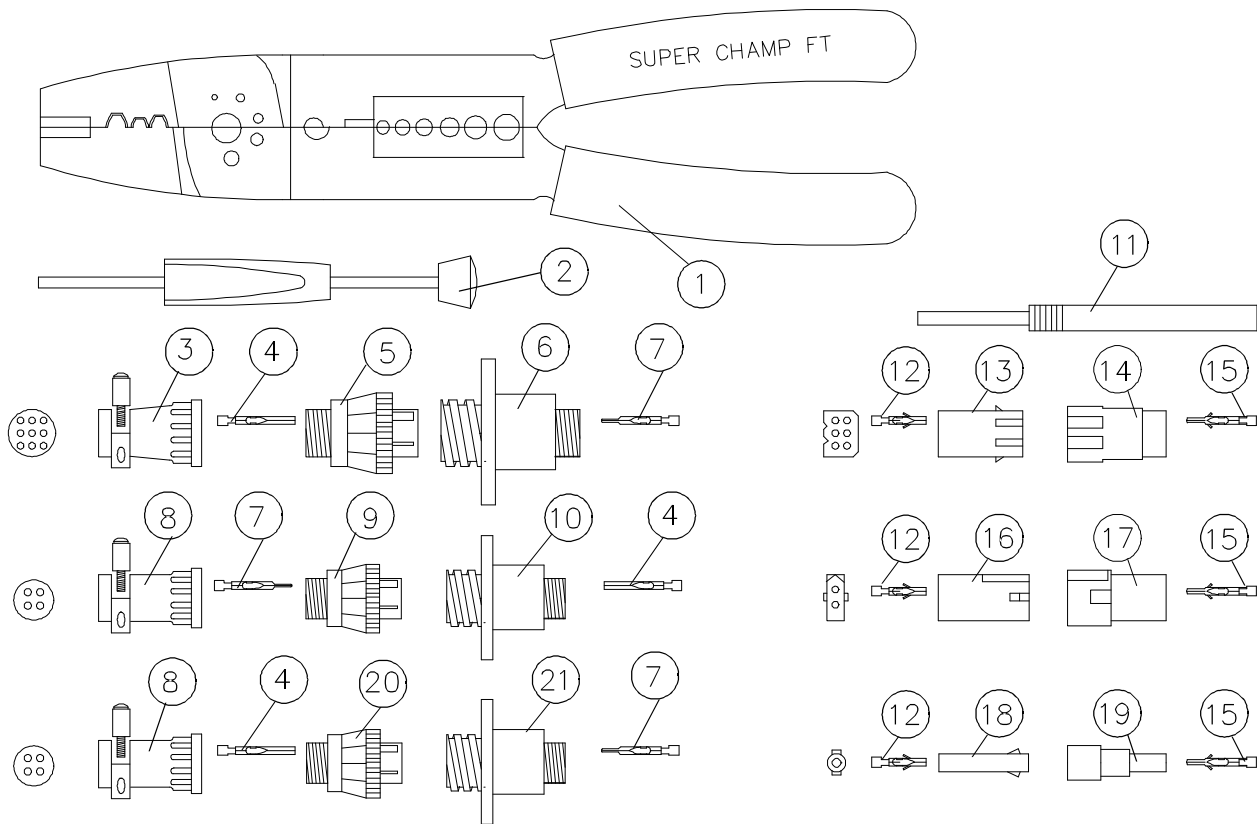


### **Alpha 5 Leg Mount Variac**

2526 Variac Assy. Leg Mount.

- |   |  |
|---|--|
| 1) 1083 Nut Hex 6-32                            | 16) 2265 Fuse 8 AMP 125V                       |
| 2) 3788 Decal, Fuse Replacement                 | 17) 1071 Screw PTH 10-32 x 3/8"                |
| 3) 2059 2 Power Supply Decal                    | 18) 2338 Fuse 1.5 AMP 250v                     |
| 5) 1009 Fuse Holder                             | 19) 1640 Variac Link Type 2                    |
| 6) 1024 Toggle Switch SPST On-Off               | 20) 1075 Flatwasher #10                        |
| 7) 2391 Strain Relief 5/8 x .125 (.325/.36 dia) | 21) 1233 Button Head Cap Screw 10-32 x 3/8"    |
| 8) 1029 Power Cord 3 Wire                       | *22) 1006 Transformer 110v Replacement Kit     |
| 9) 2521 Screw PPH #8 x 3/8" Type 25             | *23) 2103 Contact Assembly Variac (Staco 1010) |
| 10) 1078 Lockwasher #10 - Internal Tooth        | *24) 1005 Brush, Variac (Staco 1010)           |
| 11) 1469 Switch Adjusting Plate Assy            | *25) 4445 Brush, Variac (Powerstat 116CU)      |
| 12) 1069 Screw PTH 8-32 x 3/8"                  |  |
| 13) 2111 Micro Switch-Flat Blade                |  |
| 14) 1081 Washer Switch Keyed                    |  |
| 15) 1643 Variac Shaft & Hub Sub-Assy. Type 2    |  |

\* Refer to the transformer face plate for manufacturer's name and model number. Order replacement parts for the manufacturer specified. No replacement contact is required for Powerstat transformers. Transformers are interchangeable.



- 1) 2674 Pin Crimping Tool
- 2) 2673 Pin Extraction Tool CPC
- 3) 2071 Clamp Cable #13
- 4) 2063 Socket CPC
- 5) 2078 Plug 9 Pin
- 6) 2077 Receptacle 9 Pin
- 7) 2064 Pin CPC
- 8) 2070 Clamp Cable #11
- 9) 2069 Plug 4 Pin
- 10) 2068 Receptacle 4 Pin
- 11) 2669 Pin Extraction Tool CPS
- 12) 1709 Socket, CPS
- 13) 1840 Receptacle, 6 Circuit CPS
- 14) 1839 Plug, 6 Circuit CPS
- 15) 1708 Pin, CPS
- 16) 1838 Receptacle, 2 circuit CPS
- 17) 1837 Plug, 2 Circuit CPS
- 18) 1836 Receptacle, 1 Circuit CPS
- 19) 1835 Plug, 1 Circuit CPS
- 20) 2057 Plug, 4 Pin - (std sex)
- 21) 2056 Receptacle 4 Pin - (std sex)