

# Film-Tech

The information contained in this Adobe Acrobat pdf file is provided at your own risk and good judgment.

These manuals are designed to facilitate the exchange of information related to cinema projection and film handling, with no warranties nor obligations from the authors, for qualified field service engineers.

If you are not a qualified technician, please make no adjustments to anything you may read about in these Adobe manual downloads.

[www.film-tech.com](http://www.film-tech.com)

# INSTRUCTION MANUAL

## XENON POWER SUPPLY

4 - 7 kW

Type 62-80110

Issue 9/98



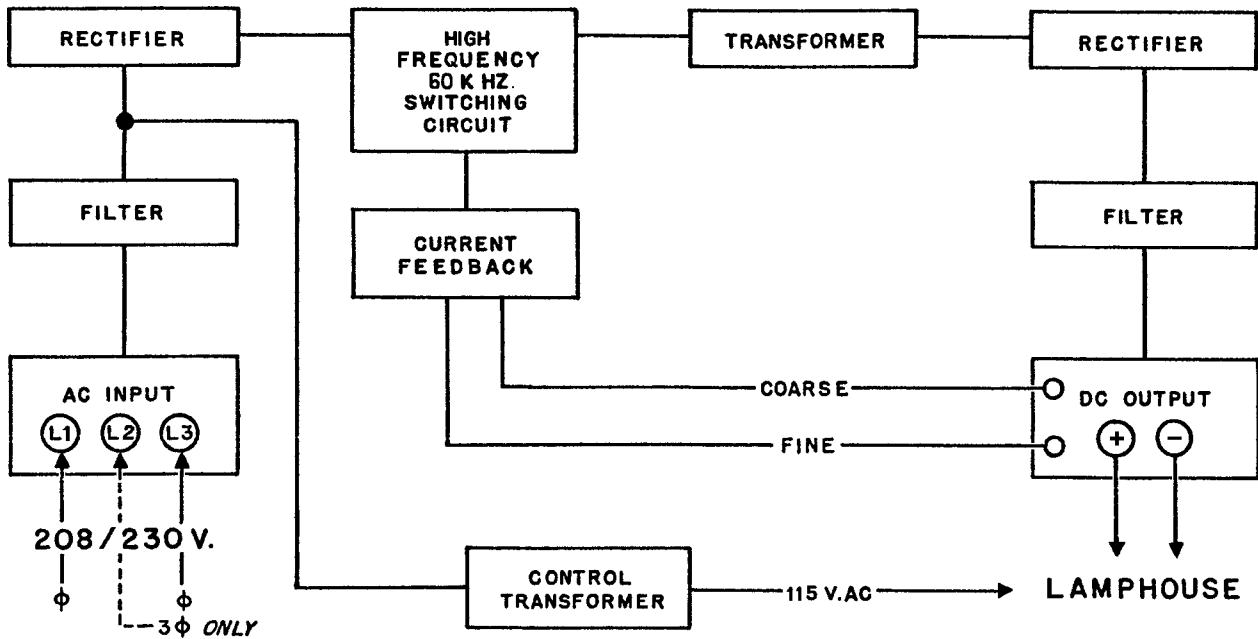
### **STRONG INTERNATIONAL**

a division of Ballantyne of Omaha, Inc.

4350 McKinley Street

Omaha, Nebraska 68112 USA

Tel 402/453-4444 • Fax 402/453-7238



SEE "INSTALLATION" INSTRUCTIONS

## PREFACE

THE STRONG INTERNATIONAL switching power supply Type 62-80110 is designed to operate a xenon bulb in all theatrical lighting applications for Strong lamphouses. This unit will operate all xenon bulbs rated from 4000 to 7000 watts throughout their full operating ranges (29-49 V.DC, 90-160 A.DC). The power requirement for this unit is 208/230 (200-240) V.AC, 30 amperes three phase, 50/60 Hertz. The power supply can be connected to a 208/230 volt single phase AC line if operation is limited to 4000 watts.

INCOMING LINE POWER is transformed from 208/230 volts AC to a low voltage, high current DC output. The incoming AC line is filtered to eliminate noise and is then converted to DC. This DC voltage is switched on and off by a solid state switching circuit, and converted to a 60 kHz. square wave. The square wave is fed into output transformers to provide low voltage and high current. Rectifiers convert the 60 kHz. signal to DC, and the output is filtered to eliminate noise and ripple. Output to the xenon bulb is adjustable through use of potentiometers.

A STEPDOWN TRANSFORMER reduces the incoming line to 120 V.AC to power the lamphouse igniter and blower(s). A separate three ampere circuit breaker protects the control circuit in the event of a lamphouse component malfunction.

PROTECTIVE CIRCUITS include a high temperature limit switch and under- and overvoltage detection. The thermal switch will open and interrupt power supply operation if internal temperatures exceed 175° F. (80° C.). A drop in AC line voltage, reducing AC supply to inadequate levels, or a high voltage AC spike, will also disable the power supply until the voltage is corrected.

A MULTI-PIN MS RECEPTACLE is standard on units supplied for use with Strong projection consoles. A lamphouse termination panel may be ordered as an option for motion picture or studio applications using Strong lamphouses without the corresponding MS plug.

## NOTICE



REFER ALL SERVICING of this unit to an authorized Strong International Equipment Dealer. The 62-80110 Switching Xenon Power Supply employs solid state circuitry requiring sophisticated diagnostic equipment not generally available to field service personnel. Hazardous high voltages exist within the power supply cabinet.



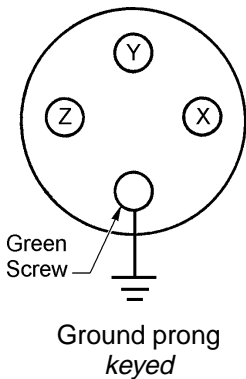
## INSTALLATION - OPERATION

**CAUTION:** High voltages exist inside the power supply enclosure. Do not remove power supply cover panels when the unit is energized.

When positioning the power supply, allow several inches clearance around the power supply cabinet for unobstructed air flow. If the intake or outlet grilles are blocked, thermal switches will shut the unit off to prevent heat damage.

Connect the lamphouse DC and control leads to the output side of the power supply prior to connecting to AC power. Lamphouse to power supply connections, when not terminated in a MS plug, are illustrated on the INTERCONNECTION DIAGRAM in the lamphouse instruction manual. Make certain the lamphouse ground lead is connected.

Power leads run to the unit must be of the correct size and type to conform to local codes. Shield in conduit as required. The power supply will not energize until the circuit breakers on the side of the cabinet are placed in the ON position.



A four-prong, female plug is furnished to mate to the AC receptacle mounted to the power supply. Connect 208/230 V.AC three phase input to terminals X, Y, and Z. If operation is limited to 4000 watts, the unit may be connected to single phase using terminals X and Z only. Single or three phase neutral is not required for installation of this unit. Attach an adequate earth ground to the green ground terminal.

See the warranty information packed with the xenon bulb for correct operating current. Do not, at any time, exceed the maximum current level specified by the bulb manufacturer.

Current output to the bulb is set through use of the adjustment potentiometer(s). If installed in a Strong Xenon Projection Console, the adjustment potentiometer (62-70032) is generally remoted to the console control panel. When the remote option is not utilized, a potentiometer printed circuit board assembly (62-70028) is connected directly to the current control receptacle.

Check the lamphouse ammeter upon the first bulb ignition, and adjust the current control potentiometer to set the desired bulb current. On Strong projection consoles, this potentiometer is usually remoted to the lamphouse control panel adjacent to the ammeter. Rotate the potentiometer

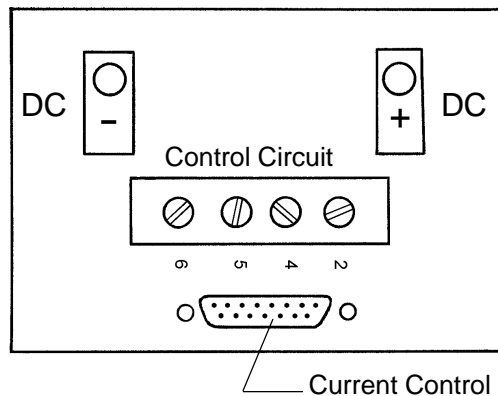
clockwise to increase current, or counterclockwise to reduce current. When the potentiometer printed circuit board assembly is used in place of a remote control assembly, a second (fine) adjustment potentiometer is included for output changes in small increments. The PC board is marked *coarse* and *fine* to identify the (2) potentiometers.

The stepdown transformer for the lamphouse control circuit is factory prewired. Terminals 2 & 4 supply 120 V.AC to the lamphouse. After completing the lamphouse interlock circuit, the 120 V.AC returns to the power supply on wires 5 & 6 to energize the control printed circuit board at plug PL5 upon closure of the LAMP ON switch. The same circuit (5 & 6) energizes the AC lamphouse igniter.

The DC Pulse Igniter used in some Strong lamphouses does not require the AC control voltage supplied on 5 & 6, but will be actuated from the high DC open circuit (“no load”) voltage normally generated by the power supply. The DC voltage will fall to a lower sustaining level (20 - 35 V.DC) after the xenon bulb ignites, and the DC Pulse Igniter will cease operation when the DC voltage drops below 130 V.DC.

A second, two-terminal barrier strip located next to the DC output terminals is included in some models of this power supplies. Wires 7 & 8 (220 V.AC) terminate at this position, and supply voltage to the lamphouse blower in Ultra 80 lamps.

Optional Lamphouse Termination Panel as supplied for units without MS Connector Assembly. Assembly No. 62-70030



## MAINTENANCE

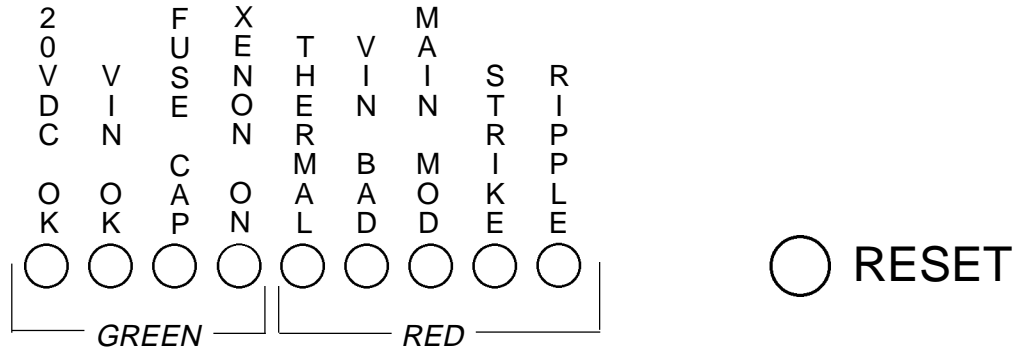
The power supply requires very little service to insure correct operation. Periodically check all electrical connections for tightness and condition, especially those in the DC circuit. Discolored terminals may indicate oxidation which will increase resistance.

Clean the ventilation inlet and outlet grilles on a regular basis to insure good air flow. Thermal switches mounted to the power supply will interrupt operation of the power supply in the event of overheating.

The blower motors are permanently lubricated. The 62-80110 power supply includes (2) blowers and requires operation of both *fully functional* blowers for correct operation. In the event of a blower failure, a replacement blower must be installed immediately.

Service interruptions because of low (below 200 V.) or high (over 240 V.) AC input require adjustments to the AC supply line. To protect the equipment, voltage level protection *cannot* be bypassed.

## INDICATOR LIGHTS



WHEN ALL FOUR of the green indicator lights are glowing, the power supply is trouble-free and operating. One or more red lights, when glowing, indicates that a problem exists, and disables operation of the power supply. The red light(s) latches and remains glowing until the RESET button is depressed after correcting the problem.

### GREEN LIGHTS:

**20 VDC OK:** Indicates that the control board is receiving the correct DC input.

**VIN OK:** Indicates that the AC input voltage is within the correct range (200-240 V.AC).

**FUSE CAP:** Indicates that the fuses on the primary board are good.

**XENON ON:** Indicates that the lamphouse interlock circuit is complete, and that DC power is being applied to the xenon bulb.

### RED LIGHTS:

**THERMAL:** Indicates that the unit is overheated.

**VIN BAD:** Indicates that AC input voltage is above or below the correct range (200-240 V.AC).

**MAIN MOD:** Indicates that one or more fuses on the primary boards have opened.

**STRIKE:** Indicates that the xenon bulb is requiring excessive ignition pulses.

**RIPPLE:** Indicates excessive ripple in the output current.



## TROUBLESHOOTING

*See Lamphouse Manual Before Troubleshooting Power Supply*

### **Lamphouse Blower(s) Not Operating; Power Light “ON,” Circuit Breaker “ON”**

1. Lamphouse interlock switch open. See lamphouse manual.
2. Three ampere circuit breaker is tripped. Press to reset.
3. Improper AC input connection. Check AC voltage at contactor terminals; should read 200 - 240 V.AC across input terminals (X, Y, Z).
4. Miswired output on terminals 2 & 4. Should read 100 - 120 V.AC; check wire numbers.
5. Defective circuit breaker. Check resistance across circuit breaker CB1 with supply OFF; should measure 0 Ohms. Replace as required.
6. Defective filter board. Check across each leg of the filter board input and output; voltage should measure 200 - 240 V.AC. Replace as required.
7. Defective stepdown transformer T6. Check input voltage at X & Z; should measure 200 - 240 V.AC. Check output voltage at 2 & 4; should measure 100 - 120 V.AC. Replace if defective.
8. Improper AC connections in lamphouse. Check AC voltage at 2 & 4 in lamphouse; voltage should measure 100 - 120 V.AC; check wire numbers.
- 8a. Ultra 80 lamphouse: wires 7 & 8 should measure 220 V.AC.
9. Lamphouse blower fuse blown (if applicable). See schematic in lamphouse manual.
10. Defective lamphouse blower. Check AC voltage at blower motor inputs; should measure 100 - 120 V.AC (Ultra 80 lamphouse blower: 220 V.AC). Replace if defective.

### **Lamphouse Blower(s) Operate, but Power Supply XENON ON Indicator does not glow**

1. No voltage on terminals 5 & 6. Possible open interlock switch in lamphouse or power supply; check air flow and interlock switches and interlock connections.
2. Incorrect setting of lamphouse MODE (AUTO - MAN.) switch. See lamphouse manual.
3. Faulty remote or automation contact (if using lamphouse in AUTO mode).
4. No voltage on terminals 5 & 6. Check for 120 V.AC at control PC board PL5. If no voltage, check for loose connection or broken wire.
5. Defective control PC board. Check for 20 V.DC at U14 pin 2 & ground test point on power supply control board. Check for 120 V.AC on PL5. If voltages present and XENON ON light does not glow, *consult factory*.
6. Power supply overheated (red THERMAL light glowing; open thermal switches). Check for correct blower operation and unobstructed air flow in power supply cabinet. Thermal switches will open if temperatures inside the power supply cabinet exceed 175° Fahrenheit (80° Celsius).

## TROUBLESHOOTING (continued)

### **Xenon Bulb Fails to Ignite; Blowers Operating, XENON ON Indicator glowing**

1. Defective or expired xenon bulb. Replace as required.
2. Incorrect igniter printed circuit board. Strong AC type igniters should be connected to high voltage igniter PC board (Part No. 40913 or equivalent).
3. Check DC no load output voltage. Should measure 150 - 180 V.DC; if lower, *consult factory*.
4. Faulty DC output connection. Check and correct as required. Tighten connections securely.
5. No DC voltage output. Blown fuse on primary board; allow power supply twenty minutes (power OFF) to discharge capacitors before removing fuse. Good fuse should measure 0 Ohms; replace as required. If fuse blows repeatedly, *consult factory*.
6. Defective igniter. Allow unit to cool and attempt re-ignition. Check DC voltage at output; should measure 150 V.DC or higher. If voltage is correct, check DC connections in lamphouse and power supply; tighten securely. Attempt re-ignition; if no ping is audible in the lamphouse, replace igniter. If ping is audible, but no flash is apparent, check for lamphouse DC lead shorting to ground. If ping is heard and arc is visible between bulb electrodes, and bulb fails to ignite, replace bulb.

### **Xenon Bulb Goes Out During Operation (Intermittent Operation)**

1. Defective or expired xenon bulb. Replace as required.
2. Fault in lamphouse interlock circuit (loose access door, inadequate exhaust draft). See lamp-house manual.
3. Power supply overheated. Check for blower operation and unobstructed air flow in power supply enclosure. Thermal switches will open if heat sink temperatures exceed 175° Fahrenheit (80° Celsius).
4. Brown-out (voltage drop) or spike (voltage surge) in AC supply. Measure AC source.

### **No Output Current Adjustment**

1. Defective power module. *Consult factory*.

Xenon Power Supplies, Lamphouse Igniters, and other components shipped to the factory for credit, repair or repair/exchange must be returned through an authorized Strong International Equipment Dealer. Contact your Strong International Dealer for a **Return Authorization** and instructions prior to shipping any goods to Strong.

8

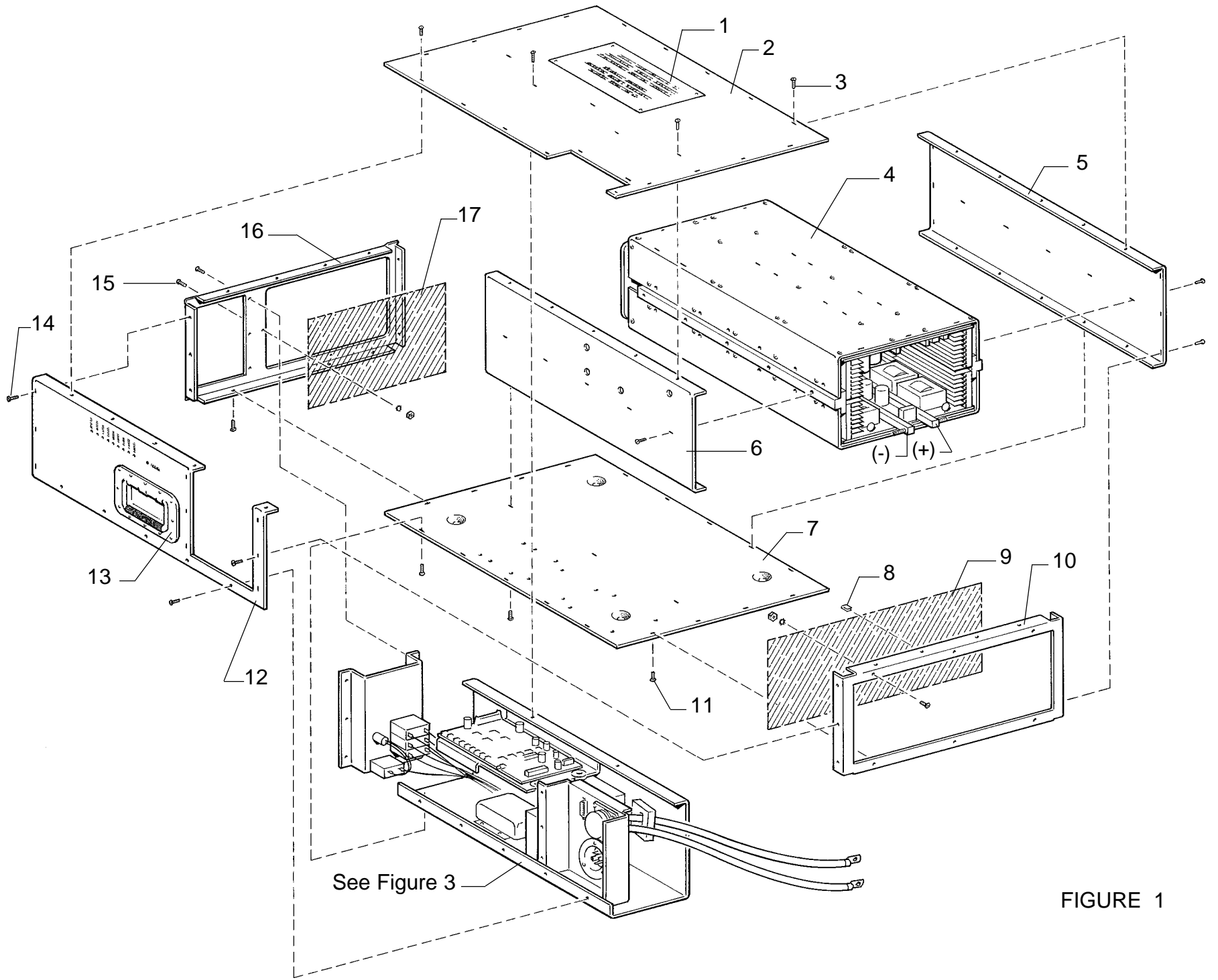


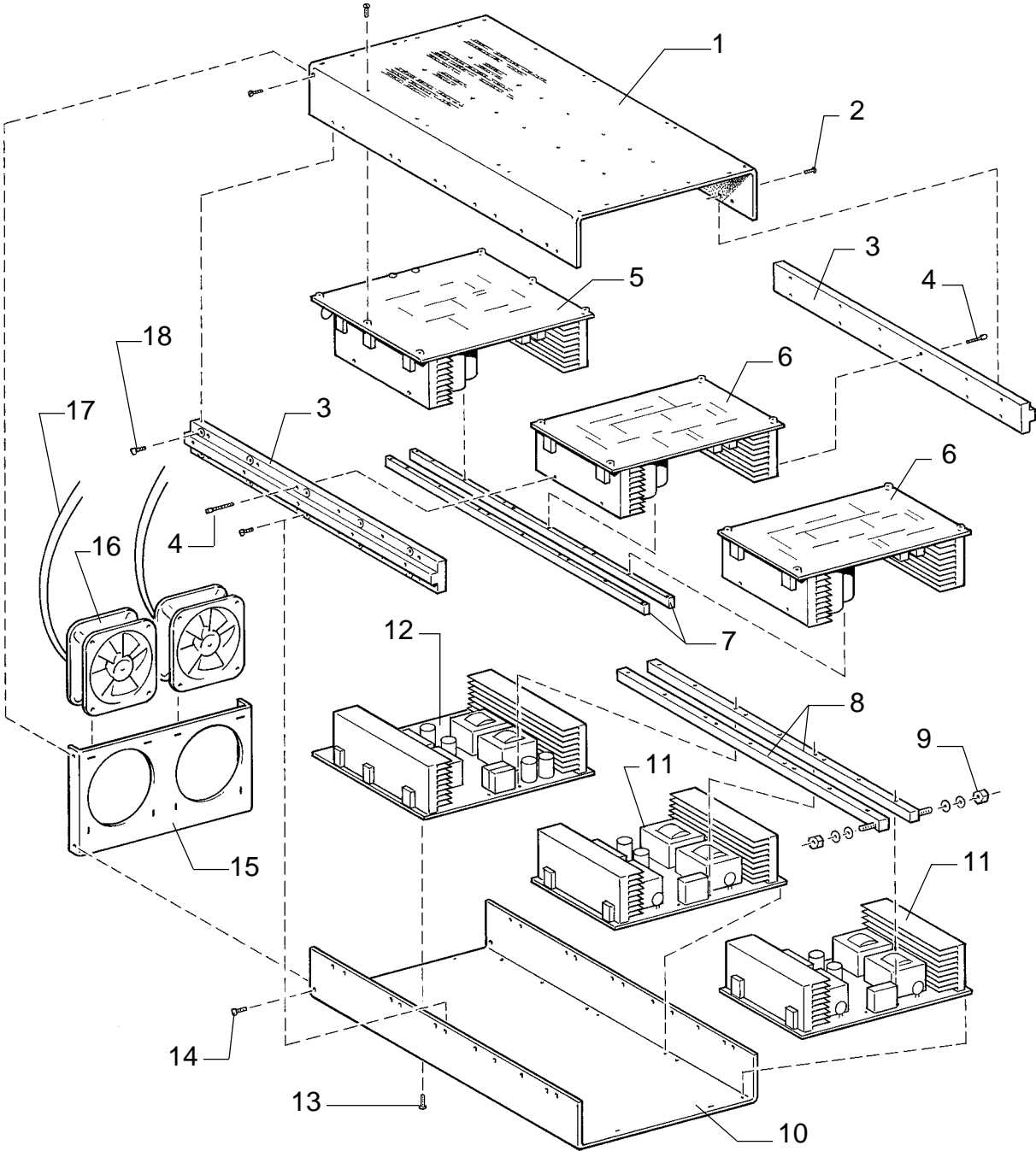
FIGURE 1

## **PARTS LIST**

Figure 1

<u>Item</u>	<u>Part No.</u>	<u>Description</u>
1	62-80036	Name & Data Plate
2	62-40110	Top Cover Plate
3	41-51540	Screw, 8-32 x 3/8" Phillips Head
4	62-87026	Power Module Assembly (see Figure 2)
5	62-40105	Side Panel
6	62-40104	Center Brace Panel
7	62-40111	Base Plate
8	41-35008	Hexnut, 8-32
9	62-40123	Blower Outlet Grille
10	62-40101	Vent Bracket
11	41-51540	Screw, 8-32 x 3/8" Phillips Head
12	62-40114	Top Panel
13	77271000	Handle, Spring-Loaded
14	41-51540	Screw, 8-32 x 3/8" Phillips Head
15	41-51540	Screw, 8-32 x 3/8" Phillips Head
16	62-40097	End Panel & Vent Bracket
17	62-40102	Blower Intake Grille

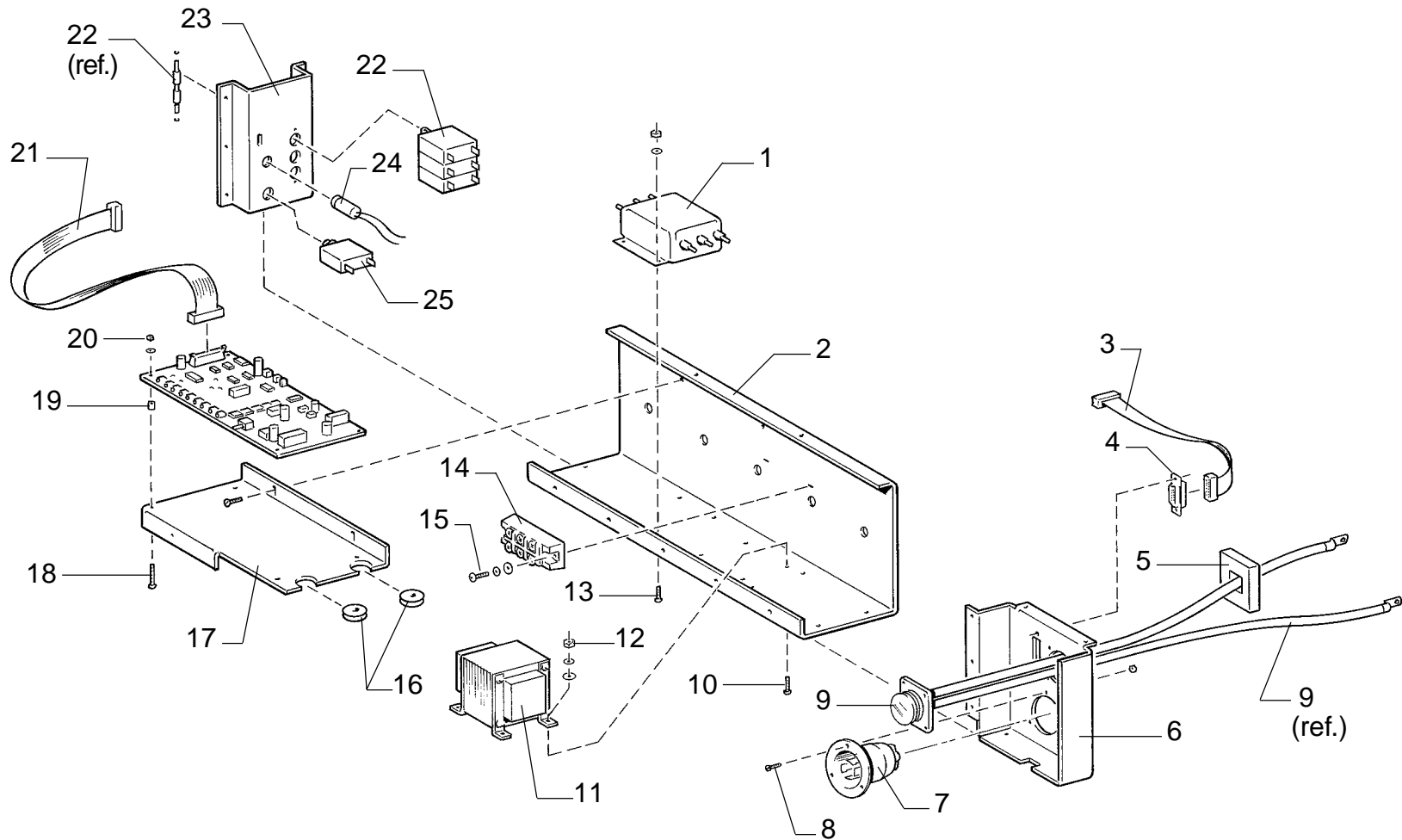
FIGURE 2



## PARTS LIST

Figure 2

<u>Item</u>	<u>Part No.</u>	<u>Description</u>
1	62-00007	Upper Shield, Silk Screened
2	41-51032	Screw, 6-32 x 1/4" Bind Head
-	41-70012	Lockwasher, #6
3	62-20022	Insulated Support
4	41-51197	Screw, 8-32 x 1/2" Socket Head
5	62-70014	Primary PC Board, Section 2
6	62-70015	Primary PC Board, Section 1
-	21-21042	Fuse, 10 Ampere (2 req'd.)
7	62-20023	Primary Buss Bar
8	62-20024	Output Buss Bar
-	41-51728	Bar Mounting Screw, 6-32 x 1" Brass
9	41-35060	Locknut, 1/4-20
-	61-70002	Spring Washer
10	62-40100	Lower Shield
11	62-70013	Secondary PC Board, Section 1
12	62-70011	Secondary PC Board, Section 2
13	41-51034	Screw, 6-32 x 1/4" Bind Head
14	41-51540	Screw, 8-32 x 3/8" Phillips Head
15	62-40094	Fan Panel
16	61-98002	Fan, 115 V.AC, 50/60 Hz.
-	41-51413	Fan Mounting Screw, 6-32 x 1/4" Bind Head
-	61127000	Fan Mounting Clip, 6-32
17	88253000	Cord & Molded Plug



CURRENT CONTROL (to Item 4):  
 62-70028 Plug-In PC Board Assembly (no Cable)  
 62-70032 Potentiometer & Cable Assembly (Remote)

FIGURE 3

## PARTS LIST

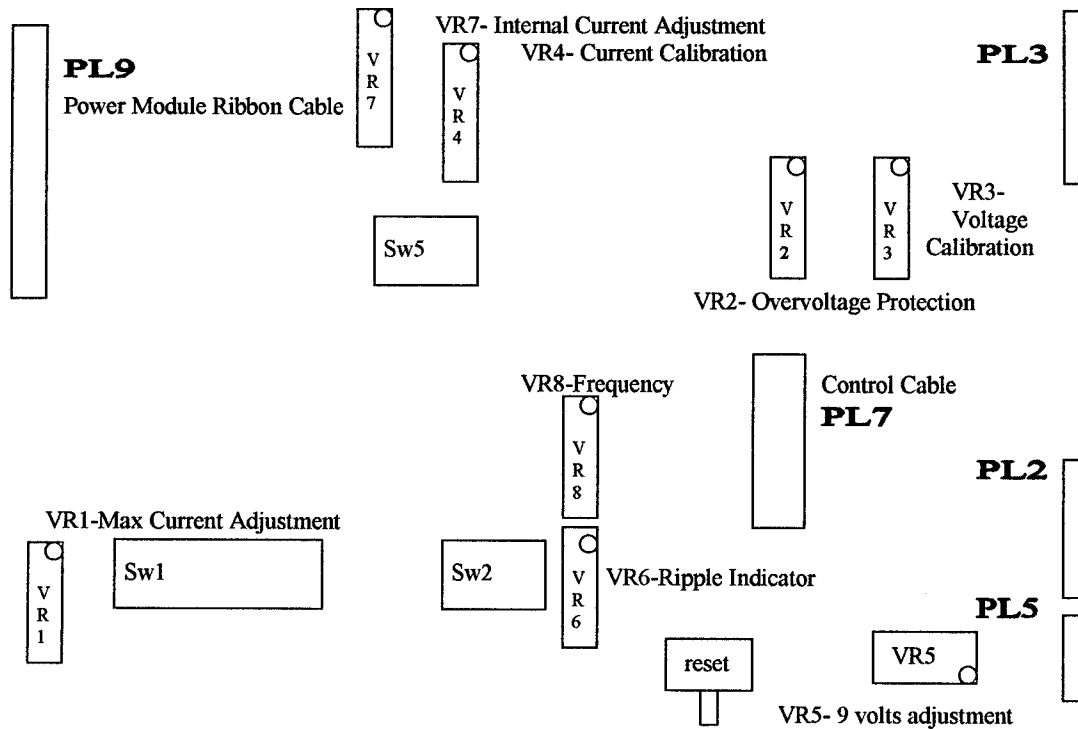
Figure 3

<u>Item</u>	<u>Part No.</u>	<u>Description</u>
1	61-50004	Line Filter, <i>as shown</i> ; Alternate: (2) 61-98035
2	62-40103	Chassis
3	62-70032	Remote Current Control Assembly
4	61-13007	Current Control Connector (DB15)
5	62-70026	LEM Harness
6	62-40129	Mounting Bracket
7	61-40007	AC Input Receptacle, 30 Ampere Hubbell
8	41-51540	Screw, 8-32 x 3/8" Phillips Head
9	62-70045	MS Connector Assembly
-	88319000	MS Connector, (14) Pin Female
10	41-51520	Screw, 10-32 x 1/2" Phillips Head
11	62-70023	Stepdown Transformer, AC Control
12	41-35013	Hexnut, 10-32
-	41-70014	Lockwasher, #10
13	41-51066	Screw, 8-32 x 3/8" Bind Head
14	61-17001	Diode Bridge
15	41-51078	Screw, 8-32 x 7/8" Bind Head
16	41-98045	Grommet
17	62-40120	Mounting Plate, Control PC Board
18	41-51021	Screw, 4-40 x 1/2" Bind Head
19	51-56002	Nylon Spacer
20	41-35003	Hexnut, 4-40
-	41-70011	Lockwasher, #4
21	61-71013	Ribbon Cable Assembly
22	61-61001	Circuit Breaker, 30 Ampere, 3 Pole
23	62-40108	Circuit Breaker Mounting Plate
24	61-30001	Indicator Light, Red
25	61-61002	Circuit Breaker, 3 Ampere 1 Pole

### NOT SHOWN

62-70030	Lamphouse Termination Panel (see Page 3)
62-40131	Cover, Lamphouse Termination Panel
61-98039	Strain Relief Bushing, Cover
41-35088	Locknut, Bushing





NEG  
○  
○  
POS

**SW1**

1. (a) Master Enable--- If **OFF** will disable SW1 2 thru 5
  2. (b) Aux. Volts Good
  3. (c) Input Volts Good
  4. (d) Power Section Good
  5. (e) Xenon On
  6. (f) Master Override- If **OFF** will allow supply to operate
  7. (g) Short Circuit---If **ON** will shut supply off when the output is shorted.
  8. (h) Not used
- If switches are **ON**, unit will operate only if L.E.D.'s light.

**SW2**

1. (a) Master Inhibit---In the **OFF** position--will disable switches SW2-2, SW2-3 and SW1-7
2. (b) Thermal Inhibit---In the **ON** position--will shut supply off, if too hot.
3. (c) Open circuit, short circuit or strike failure- If **ON** position-- will turn power supply off.
4. (d) Selects the external Current Control

**SW5**

1. (a) Overvoltage shutoff--- If **ON** -will turn power supply off if voltage goes high
2. (b) Selects local Current control -**On** is for control at PCB. **OFF** is for External Control.
3. (c) Selects local master---Must be On unless the power supply is a slave unit.
4. (d) Remote master---Must be turned on if unit is a master and there are slaves connected to it.

**PL7**

- |       |                          |
|-------|--------------------------|
| Pin # | 1. Com signal            |
|       | 2. V signal ( 20 mv/v)   |
|       | 3. I signal ( 20 mv/a)   |
|       | 4. 9v power return       |
|       | 5. Go signal input (+9v) |
|       | 6. +9v out               |
|       | 7. Power Section fault   |
|       | 8. Enable fault          |
|       | 9. Inhibit fault         |
|       | 12. I adjust fine        |
|       | 13. +9v signal           |
|       | 14. I adjust course      |

**PL2**

- |       |                    |
|-------|--------------------|
| Pin # | 6. } <b>9 VAC</b>  |
|       | 7. }               |
|       | 9. } <b>18 VAC</b> |
|       | 10. }              |

**PL3**

- |       |                  |
|-------|------------------|
| Pin # | 1. -1.2 V        |
|       | 2. +20 V         |
|       | 3. Com. signal   |
|       | 4. DCCT signal V |
|       | 5. I DCCT signal |
|       | 6. } Master/     |
|       | 7. } Slave       |

**PL 5**

- |       |                    |
|-------|--------------------|
| Pin # | 1. 110 V common    |
|       | 2. 110 V go signal |

**DB 15 Connector**

- |       |                        |
|-------|------------------------|
| Pin # | 1. Com Signal          |
|       | 2. I Signal (20mv/a)   |
|       | 3. GO Signal Input     |
|       | 4. Power Section Fault |
|       | 5. Inhibit Fault       |
|       | 6. (not used)          |
|       | 7. +9 V.               |
|       | 8. +9 V. Return        |
|       | 9. V Signal (20 mv/v)  |
|       | 10. +9 V. Return       |
|       | 11. +9 V.              |
|       | 12. Enable Fault       |
|       | 13. (not used)         |
|       | 14. I Adjust Fine      |
|       | 15. I Adjust Coarse    |

FIGURE 4

CONTROL PC BOARD, Component Functions



