

FILM-TECH

THE INFORMATION CONTAINED IN THIS ADOBE ACROBAT PDF FILE IS PROVIDED AT YOUR OWN RISK AND GOOD JUDGMENT.

THESE MANUALS ARE DESIGNED TO FACILITATE THE EXCHANGE OF INFORMATION RELATED TO CINEMA PROJECTION AND FILM HANDLING, WITH NO WARRANTIES NOR OBLIGATIONS FROM THE AUTHORS, FOR QUALIFIED FIELD SERVICE ENGINEERS.

IF YOU ARE NOT A QUALIFIED TECHNICIAN, PLEASE MAKE NO ADJUSTMENTS TO ANYTHING YOU MAY READ ABOUT IN THESE ADOBE MANUAL DOWNLOADS.

WWW.FILM-TECH.COM



AUTHORIZED DISTRIBUTOR:
JARCO INDUSTRIES
TOLL FREE ORDERING 800-458-7578
WWW.CONCESSIONSTANDS.COM

Astro-Pop Warmer

Part No. 61987
Revised July 2000

Instruction Manual Model #2002




 **GOLD MEDAL**®


FUNFOOD EQUIPMENT & SUPPLIES


Cincinnati, OH 45241-4807 USA


e-mail: goldme19@eos.net • www.gmpopcorn.com


SAFETY PRECAUTIONS

	⚠ CAUTION
	<p>This equipment is designed and sold for commercial use only. This equipment is not to be used by the consumer in home use. Do not allow direct contact of this equipment by the public when used in food service locations. Only personnel trained and experienced in the equipment operation may operate this equipment. Carefully read all installation instructions before operating the equipment.</p>

	⚠ WARNING
	<p>Always wear safety glasses when servicing this equipment.</p>

	⚠ WARNING
	<p>To avoid serious burns, do NOT touch the kettle while it is hot.</p>

	⚠ WARNING
	<p>Any alterations to this equipment will void the warranty and may cause a dangerous situation. NEVER make alterations to the equipment. Make sure all machine switches are in the OFF position before plugging the equipment into a receptacle.</p>

	⚠ DANGER
	<p>Machine must be properly grounded to prevent electrical shock to personnel. Do NOT immerse the kettle, warmer, or any other part of this equipment in water. Always unplug the equipment before cleaning or servicing.</p>

NOTE

The information, specifications and illustrations contained in this manual represent the latest data available at time of publication. Right is reserved to make changes as required at the discretion of Gold Medal Products Company without notice.

INTRODUCTION

Your new #2002 Warmer is shipped completely assembled, ready to operate. After removing the corrugated carton from the machine, check thoroughly for any damage which may have occurred in transit. Claims should be filed immediately with the transportation company.

Remove all cardboard packing and tape from the machine. Wipe all exposed surfaces with a damp cloth to remove fingerprints, smears, etc. which may have occurred during unpacking and handling.




ELECTRICAL REQUIREMENTS

Standard voltage for the Warmer is 120V, 60 cycle, single phase, A.C. current. The unit should be placed on its own 20 Amp (4 wire) electrical circuit. The switches to control the heater and lights are located at the top on the inside of the cabinet.

CARE AND CLEANING

The aluminum frame of the Warmer is easy to keep clean. Usually a damp cloth will remove all dirt and grease spots. NEVER USE ABRASIVES on the aluminum framework. The glass should always be clean and sparkling. Remember the inside of the glass must be cleaned too. The vertical air ducts, mounted on the inside of the cabinet, disassemble without tools for easy cleaning. Periodically, empty out all the popcorn and remove the shelves and clean the inside of the machine. A damp cloth will usually pick up all the scraps of popcorn that has been spilled. Empty the old maid drawers and wipe clean. Remove the bottom cabinet pans and clean out any stray debris.

MAINTENANCE INSTRUCTIONS

	<p style="text-align: center;">⚠ CAUTION</p> <p>THE FOLLOWING SECTIONS OF THIS MANUAL ARE INTENDED ONLY FOR QUALIFIED SERVICE PERSONNEL WHO ARE FAMILIAR WITH ELECTRICAL EQUIPMENT. THESE ARE NOT INTENDED FOR THE OPERATOR.</p>
	<p style="text-align: center;">⚠ WARNING</p> <p>Adequate eye protection must be used when servicing this equipment to prevent the possibility of injury.</p>
	<p style="text-align: center;">⚠ DANGER</p> <p>Do NOT immerse the kettle, warmer, or any other part of this equipment in water. Unplug your machine before servicing.</p>

ORDERING SPARE PARTS

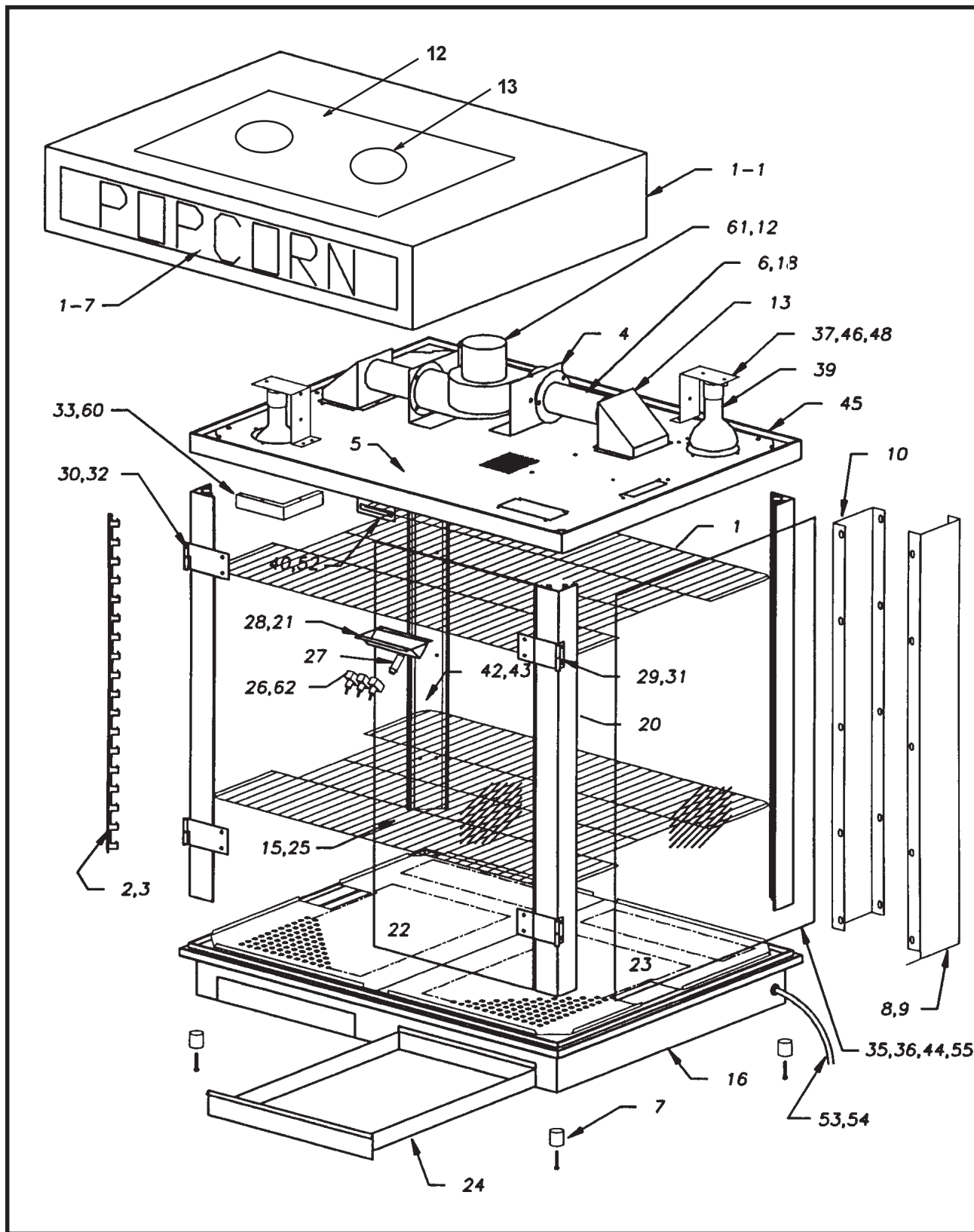
1. Identify the needed part by checking it against the photos, illustrations, and/or the parts list.
2. When ordering, please include part number, part name, and quantity needed.
3. Please include your model name and machine serial number (located on the machine nameplate) with your order.
4. Address all parts orders to:

Jarco Industries

order toll free 800-458-7578

or order online at www.concessionstands.com

CABINET ASSEMBLY



PARTS LIST - CABINET ASSEMBLY

Item No.	Model #2002 Part No.	Description
1	61999	Shelf, Adjustable
2	16056	Shelf Support
3	16057	Shelf Support
4	40145	Blower Bracket
5	61998	Motor Mount Plate
6	40153	Nozzle Heater
7	41282	Rubber Foot
8	40292	Duct Panel
9	40177	Duct Bracket
10	40293	Duct Cover
11	76097	Label, "Unplug to Clean"
12	40184	Intake Cover
13	61992	Exhaust Box
14	41297	
15	61997	Door
16	41025	Bottom Frame Assembly
17	41870	Corner Post, Front
18	79058	Thermostat
19	41879	Thermostat Mount
20	40192	Corner Post
21	40272	Switch Label
22	61995	Corn Pan, L.H.
23	40183	Corn Pan, R.H.
24	41838	Old Maid Pan
25	41013	Knob, Door
26	47201	Single Pole Switch
27	41033	Pilot Light
28	49099	Switch Box
29	41349	Male Hinge, Right
30	41350	Male Hinge, Left
31	41351	Female Hinge, Right
32	41352	Female Hinge, Left
33	41452	Warning, 75W Max
34	41735	Strain Relief
35	41190	Glass, Front
36	47499	Glass, Side
37	49480	Light Mount Bracket
38	46638	5/16-18 x 1/2" Truss Head Screw
39	41671	Floodlight, 75W
40	41340	Magnet Catch Bracket
41	41712	Molded Receptacle
42	41765	Glass Retainer, Front
43	41766	Glass Retainer, Rear
44	41858	Rigid Channel, 32"

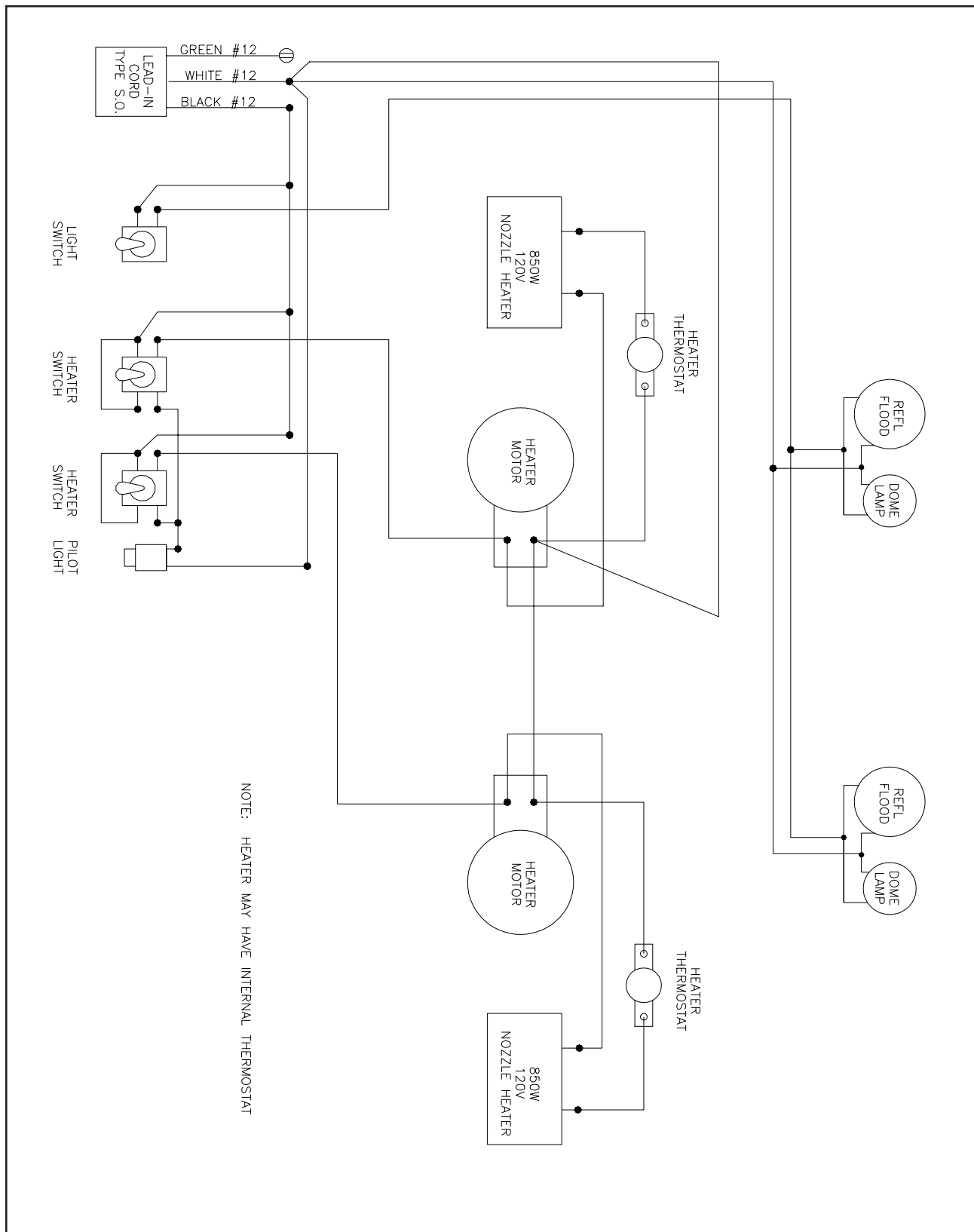
PARTS LIST - CABINET ASSEMBLY (continued)

Item No.	Model #2002 Part No.	Description
45	41045	Top Frame Assembly
46	n/a	
47	n/a	
48	47047	Lamp Holder
49	n/a	
50	n/a	
51	47282	Bushing, Snap #UB-65
52	47561	Magnetic Catch
53	47580	Lead-In Cord
54	47026	Strain Relief, #SR9P-2
55	47694	Rigid Channel, 22 7/8"
56	47701	Acorn Nut, #6-32
57	47702	Acorn Nut, #8-32
58	47771	Screw, #8-32 x 3/8" Hex
59	47772	Screw, #6-32 x 3/8" Flat
60	47799	Light Shield Angle
61	40254	Blower, 50/60 Hz
62	74087	Double Pole Switch
63	74131	Ring Terminal, #10
64	74146	Hex Nut, #8-32
65	74149	Hex Nut, #8-32
66	74150	Washer, #8 Internal Tooth
67	47237	Magnet Strike
68	41526	Dome Spacer

PARTS NOT SHOWN – S/S DOME

Item No.	Model #2002 Part No.	Description
1	41345	Complete Dome Assembly
2	41785	Main Wrapper
3	41020	Light Tube Holder
4	41021	Holder with Starter
5	41316	Support Angle
6	41797	Front Wrapper Assembly
7	41301	Popcorn Sign
8	39016	Fluorescent Tube
9	41023	Fluorescent Starter
10	41022	Light Ballast
11	47726	Molded Plug
12	61989	Inspection Cover
13	40351	Cover Plate

WIRING DIAGRAM – 2004, 2004SL



NOTE: HEATER MAY HAVE INTERNAL THERMOSTAT