

FILM-TECH

THE INFORMATION CONTAINED IN THIS ADOBE ACROBAT PDF FILE IS PROVIDED AT YOUR OWN RISK AND GOOD JUDGMENT.

THESE MANUALS ARE DESIGNED TO FACILITATE THE EXCHANGE OF INFORMATION RELATED TO CINEMA PROJECTION AND FILM HANDLING, WITH NO WARRANTIES NOR OBLIGATIONS FROM THE AUTHORS, FOR QUALIFIED FIELD SERVICE ENGINEERS.

IF YOU ARE NOT A QUALIFIED TECHNICIAN, PLEASE MAKE NO ADJUSTMENTS TO ANYTHING YOU MAY READ ABOUT IN THESE ADOBE MANUAL DOWNLOADS.

WWW.FILM-TECH.COM



AUTHORIZED DISTRIBUTOR:
JARCO INDUSTRIES
TOLL FREE ORDERING 800-458-7578
WWW.CONCESSIONSTANDS.COM

Part No. 16225
Revised February 1997

16 Oz. Pop & Self-Serve Warmer

Popcorn Machine Instruction Manual

Model #1617





 **GOLD MEDAL[®]**


FUNFOOD EQUIPMENT & SUPPLIES


Cincinnati, OH 45241-4807 USA


SAFETY PRECAUTIONS

	⚠ CAUTION
	<p>This equipment is designed and sold for commercial use only. This equipment is not to be used by the consumer in home use. Do not allow direct contact of this equipment by the public when used in food service locations. Only personnel trained and experienced in the equipment operation may operate this equipment. Carefully read all installation instructions before operating the equipment.</p>

	⚠ WARNING
	<p>Always wear safety glasses when servicing this equipment.</p>

	⚠ WARNING
	<p>To avoid serious burns, do NOT touch the kettle while it is hot.</p>

	⚠ WARNING
	<p>Any alterations to this equipment will void the warranty and may cause a dangerous situation. NEVER make alterations to the equipment. Make sure all machine switches are in the OFF position before plugging the equipment into a receptacle.</p>

	⚡ DANGER
	<p>Machine must be properly grounded to prevent electrical shock to personnel. Do NOT immerse the kettle, warmer, or any other part of this equipment in water. Always unplug the equipment before cleaning or servicing.</p>

NOTE

The information, specifications and illustrations contained in this manual represent the latest data available at time of publication. Right is reserved to make changes as required at the discretion of Gold Medal Products Company without notice.

INTRODUCTION

Your new #1617 Pop & Self-Serve Warmer is shipped completely assembled, ready to operate. After removing the corrugated carton from the machine, check thoroughly for any damage which may have occurred in transit. Claims should be filed immediately with the transportation company.

Remove all cardboard packing and tape from the machine. Wipe all exposed surfaces with a damp cloth to remove fingerprints, smears, etc. which may have occurred during unpacking and handling.

ELECTRICAL REQUIREMENTS

Standard voltage for the Pop & Self-Serve Warmer is 120V, 60 cycle, single phase, A.C. current. The unit should be placed on its own 30 Amp (4 wire) electrical circuit. The switches to control the heaters, kettle and lights are located at the top on the inside of the cabinet.

CONTROLS

The switches control:

LIGHTS

Turns on internal lights and dome sign.

WARMER

Turns on corn pan heaters.

KETTLE MOTOR SWITCH

Turns on motor which drives kettle agitator shaft.

KETTLE HEAT SWITCH

Turns on kettle heat elements.

OIL SYSTEM MASTER

Turns the oil bucket pump heater on.

OIL PUMP

Dispenses oil into the kettle.

AMOUNT OF POPCORN AND OIL CHARGE

Your new popper is equipped with a 16 ounce corn measure cup. We recommend flavored and colored coconut oil. Popcorn popped in coconut oil stays fresher longer. Coconut oil does not leave the black deposits in your kettle like other oils.

Corn Charge -	16 Ounces
Oil Charge -	4 Ounces
Flavacol -	4 Tablespoons

POPPING INSTRUCTIONS



1. Turn kettle heat and kettle motor switch on.
2. Make test pop with 3 kernels of corn and 1 ounce of oil.
3. Load corn, oil bar, and seasoning into kettle.
4. When corn has popped dump kettle.
5. Repeat steps 3 and 4 for additional batches.



Always pop three to five batches for best results.



CARE AND CLEANING

The aluminum frame of the popcorn machine is easy to keep clean. Usually a damp cloth will remove all dirt and grease spots. NEVER USE ABRASIVES on the aluminum framework. The glass should always be clean and sparkling. Remember the inside of the glass must be cleaned too. Empty the old maid drawer and wipe clean. Remove bottom cabinet pans and clean out any stray debris.

MAINTENANCE INSTRUCTIONS

	 CAUTION
	<p>THE FOLLOWING SECTIONS OF THIS MANUAL ARE INTENDED ONLY FOR QUALIFIED SERVICE PERSONNEL WHO ARE FAMILIAR WITH ELECTRICAL EQUIPMENT. THESE ARE NOT INTENDED FOR THE OPERATOR.</p>

	 WARNING
	<p>Adequate eye protection must be used when servicing this equipment to prevent the possibility of injury.</p>

	 DANGER
	<p>Do NOT immerse the kettle, warmer, or any other part of this equipment in water. Unplug your machine before servicing.</p>

ORDERING SPARE PARTS

1. Identify the desired part by checking it against the photos, illustrations, and/or the parts list.
2. When ordering, please include part number, part name, and quantity desired.
3. Please include your model name and machine serial number (located on the machine nameplate) with your order.
4. Address all parts orders to:

Jarco Industries

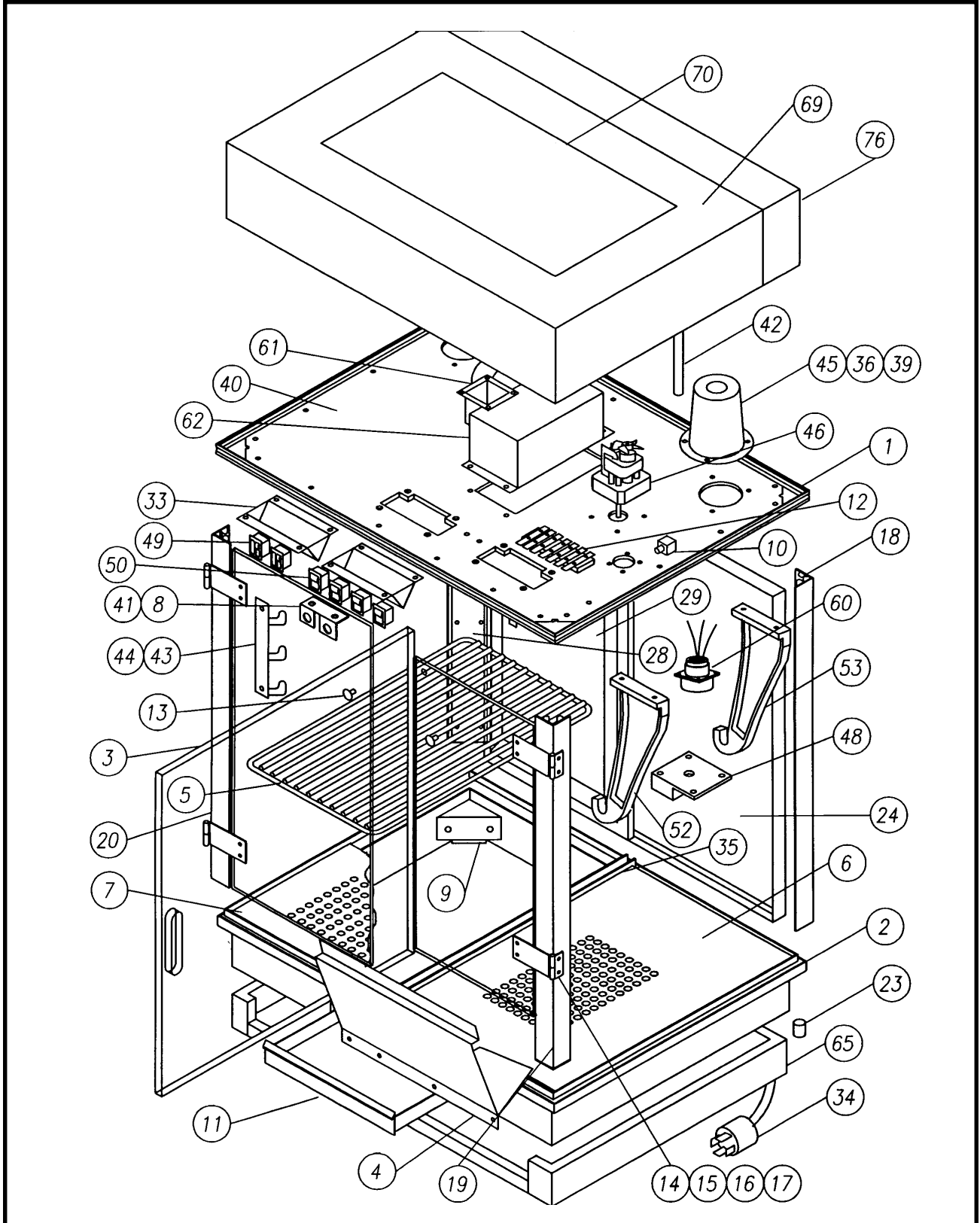
order toll free 800-458-7578

or order online at www.concessionstands.com

NOTE: We do not ship glass. Obtain replacement glass from your local glass shop or hardware store. Always purchase double strength type glass. Sizes are:

FRONT GLASS	32 ³ / ₁₆ " x 15 ¹¹ / ₁₆ " x ¹ / ₈ "
SLIDING DOOR GLASS	24 ¹⁵ / ₁₆ " x 13 ⁷ / ₁₆ " x ³ / ₁₆ "

CABINET ASSEMBLY



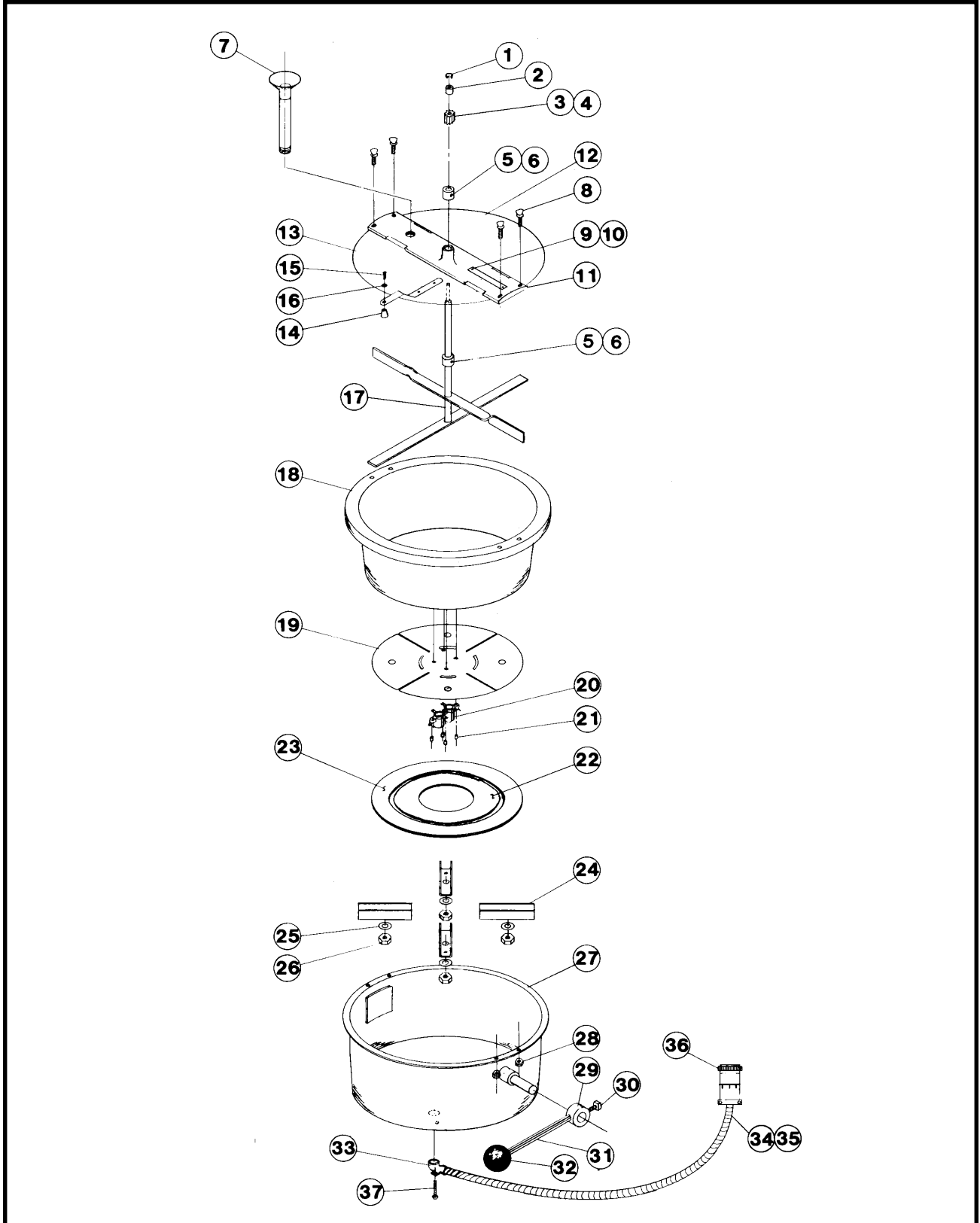
PARTS LIST - CABINET ASSEMBLY

Item No.	Part No.	Description	Quantity
1	16060	Cabinet Assembly, #1617	1
2	16001	Top Frame	1
3	16064	Bottom Frame	1
4	16062	Divider Panel	1
5	16038	Drop Panel, R.H.	1
6	16055	Wire Shelf	3
7	16065	Corn Pan, R.H.	1
8	16066	Corn Pan, L.H.	1
9	16139	Magnetic Catch Bracket	1
10	41879	Corner Cover	2
11	47364	Circuit Breaker, 15A	1
12	41284	Old Maid Pan	1
13	47208	Terminal Block	1
14	41013	Door Knob	2
15	41349	Door Male Hinge, R.H.	2
16	41350	Door Male Hinge, L.H.	2
17	41351	Door Female Hinge, R.H.	2
18	41352	Door Female Hinge, L.H.	2
19	16090/16091	Corner Post, Front	1/1
20	41872	Corner Post, Right Rear	1
21	40192	Corner Post, Left Rear	1
22	47282	Bushing, Snap	4
23	47237	Door Striker	2
24	41282	Rubber Foot	4
25	16071	Front Glass	1
26	41190	Side Glass	2
27	41283	Bottom Cover	1
28	41766	Glass Retainer, Rear	2
29	41765	Glass Retainer, Front	2
30	16076	Door Assembly	1
31	41858	Rigid Channel, 32"	2
32	47694	Rigid Channel, 22 ⁷ / ₈ "	2
33	41860	Rigid Channel, 26"	2
34	16050	Lead-In Cord	1
35	16074	Divider Rail, Top	1
36	49480	Light Shield	2
37	41712	Molded Receptacle	1
38	16059	Complete Hanger Assembly	1
39	41671	Reflector, Flood Light	2
40	16058	Motor Mount Plate	1
41	16141	Magnetic Catch	1
42	41526	Dome Spacer	2
43	16056	Shelf Support, L.H.	2
44	16057	Shelf Support, R.H.	2
45	49480	Light Shield, Conical	2

PARTS LIST - CABINET ASSEMBLY (continued)

Item No.	Part No.	Description	Quantity
46	47356	Motor Warmer, 115V	2
47	47059	Spur Gear	1
48	47065	Gear Box	1
49	67179	Switch, Oil	1
50	42798	Swich, Motor/Light	5
51	47282	Bushing, Snap	1
52	47263	Hanger Arm, Rear	1
53	47262	Hanger Arm, Front	1
54	48492	Switch Box	1
55	49116	Switch Label	1
56	49330	Receptacle, 15 Amp, Twist-Loc	1
57	n/a	n/a	
58	16048	Bottom Divider Rail	1
59	n/a	n/a	
60	41325	Receptacle Assembly	1
61	41015	Exhaust Blower	1
62	41006	Blower Box Assembly	1
63	16052	Switch Label	1
64	41250	Grease Filter	1
65	16075	Skirt (Optional Accessory, Standard on Model #1617TS)	1
DOMES ASSEMBLY			
68	16061	Dome Assembly, Complete	1
69	16030	Main Wrapper	1
70	16073	Inspection Plate	1
71	61085	Neon Lower Case Script	1
72	n/a	n/a	
73	n/a	n/a	
74	n/a	n/a	
75	n/a	n/a	
76	16069	Front Wrapper Assembly	1
77	47242/47243	Support Angle	1
78	47726	Molded Plug	1
79	47244	Neon Sign, Block Letters	1

KETTLE ASSEMBLY



PARTS LIST - KETTLE ASSEMBLY

Item No.	Part No.	Description
1	47107	C-Ring
2	47106	Needle Bearing
3	47059	Spur Gear
4	41742	Set Screw, #10-32
5	47326	Set Collar
6	47751	Set Screw, ¼-20
7	41239	Oil Tube w/ Funnel
8	47691	Thumb Screw
9	47154	Warning Plate
10	47774	Rivet
11	41144	Crossbar Assembly
12	41120	Rear Lid
13	See Dump Kettle Below	Front Kettle Lid Assembly
14	47120	Lid Lift Knob
15	74141	Screw, #8-32 x ¾"
16	74150	Washer, #8
17	41093	Agitator Shaft Assembly
18	41069	Kettle Assembly Plated
19	41127	Heat Transfer Plate
20	82219	Thermostat, L510
21	41435	Retaining Nut
22	41155	Heat Element, 500W
23	41183	Heat Element, 1250W
24	41878	Element Retainer
25	76079	Washer, ¼-20 Int.
26	74133	Nut, ¼-20 Hex
27	See Dump Kettle Below	Shell Assembly, 16 Oz.
28	74133	Nut, ¼-20 Hex
29	47325	Set Collar
30	47662	Set Screw, 5/16-18
31	47707	Dump Handle Shaft
32	47110	Knob
33	46241	Connector, 90°
34	82107-24	Conduit
35	82135	Conduit Bushing
36	47951	Plug
37	41245	Thermostat Hold Down
38	41318	Kettle Lead Assembly
39	49350	Conduit Caution Label
DUMP KETTLE		
40	2223	16 Oz. Steel Kettle Complete
41	41066	Agitator/Lid Assembly
42	41130	Front Kettle Lid
43	41326	16 Oz. Steel Kettle Bottom
44	41081	Shell Assembly, 16 Oz.

