

# Barco service bulletin

---

**Serial Number:** 1160  
**Date:** 27/05/2014  
**Product:** DP2K/DP4K-32B, HDQ 2K40 and Galaxy 4K-32  
**Priority code\*:** B

- A. "Must" modification, Barco will provide the necessary components to perform this modification at no charge.
- B. Improves the reliability of the product.
- C. Improves the general working conditions of the product.
- D. For information only.

## 1. POSSIBLE CONTRIBUTION TO INCREASED LAMP BLACKENING AND TO REDUCED LIFETIME OF THE LAMP

### 1.1 General

---

#### Phenomenon

Increased change of lamp blackening and possible reduced lifetime of the lamp. This issue may occur on units delivered from February 2012 onwards.

#### Cause

Wrong orientation of the magnet inside the XL Lamp House.

#### Solution

Perform the procedure described in this document.

- For a manual Lamp House, perform this procedure: "Validating the correct orientation of the magnet in the manual XL Lamp House", page 3
- For a motorized Lamp House, perform this procedure: "Validating the correct orientation of the magnet in the motorized XL Lamp House", page 7

#### Scope

- **HDQ 2K40 projector** (R9004570)

- **DP2K-32B projectors:**
  - R9005900
  - R9005904 (3D)
  - R90059045 (3D, Track 1)
  - R90059002
  - R900590024 (Track 2)
  - R90059003 (with IMB)
  - R90059004 (Track 2)
  - R90059005 (Track 1)
  - R90059008 (Alchemy)
  - R90059009 (Alchemy LT)
- **DP4K-32B projectors:**
  - R9005910
  - R90059103 (with IMB)
  - R90059104 (Track 2)
  - R90059105 (Track 1)
  - R90059108 (Alchemy)
  - R90059109 (Alchemy LT)
  - R9005913 (3D)
  - R90059135 (3D, Track 1)
- **Galaxy 4K-32 projectors:**
  - R9040460
  - R90404601 (Left/A)
  - R90404602 (Right/B)
  - R9040630 (HFR)
  - R9040660 (HFR Infi.3D)
- **XL Lamp Houses:**
  - R9856002 (Track 0)
  - R8685301K (Track 1)
  - R8685301FK (Track 1)
  - R8685303FK
  - R8685305K (Track 2)
  - R868530K
  - R868530RK (Refurbished)
  - R868530RK (Refurbished)
  - R8685308 (HDQ 2K40)

## 1.2 Approvals

---

**Modification approved by:**

Escalation Manager    R&D Manager                      Product Manager                      Quality Manager

If you should have any more questions, or remarks, please do not hesitate to contact our technical support team via the following web site [www.Barco.com/esupport](http://www.Barco.com/esupport).

### 1.3 Validating the correct orientation of the magnet in the manual XL Lamp House

---



Contact the Barco helpdesk to receive the caliber magnet.



Image 1-1

---



To validate the correct orientation of the magnet, the XL Lamp House must be removed from the projector. This procedure assumes that the Lamp House is already removed from the projector.

---

#### Necessary tools

- Caliber magnet (north side of the magnet is painted in red)
- 3 mm Allen wrench

#### How to validate a manual Lamp House?

1. Position the Lamp House on a flat and stable table, with the **UV filter side resting on the table.**

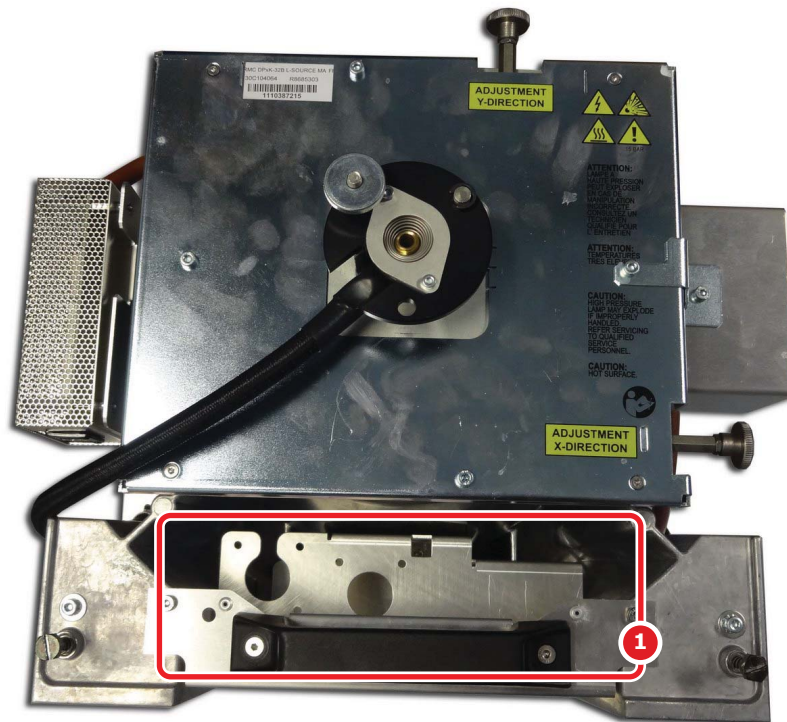


Image 1-2

The magnet is located (1) on the bottom side of the Lamp House near the handle, but is not visible at this moment.

2. To validate the magnet orientation, approach the **red side (2)** of the caliber magnet to the **left side** of the Lamp House magnet.
  - If the caliber magnet **attracts** to the Lamp House, the magnet is oriented **correctly**.  
*Nothing needs to be done.*
  - If the caliber magnet **repels** from the Lamp House, the magnet is oriented **incorrectly**.  
*The magnet needs to be turned.*

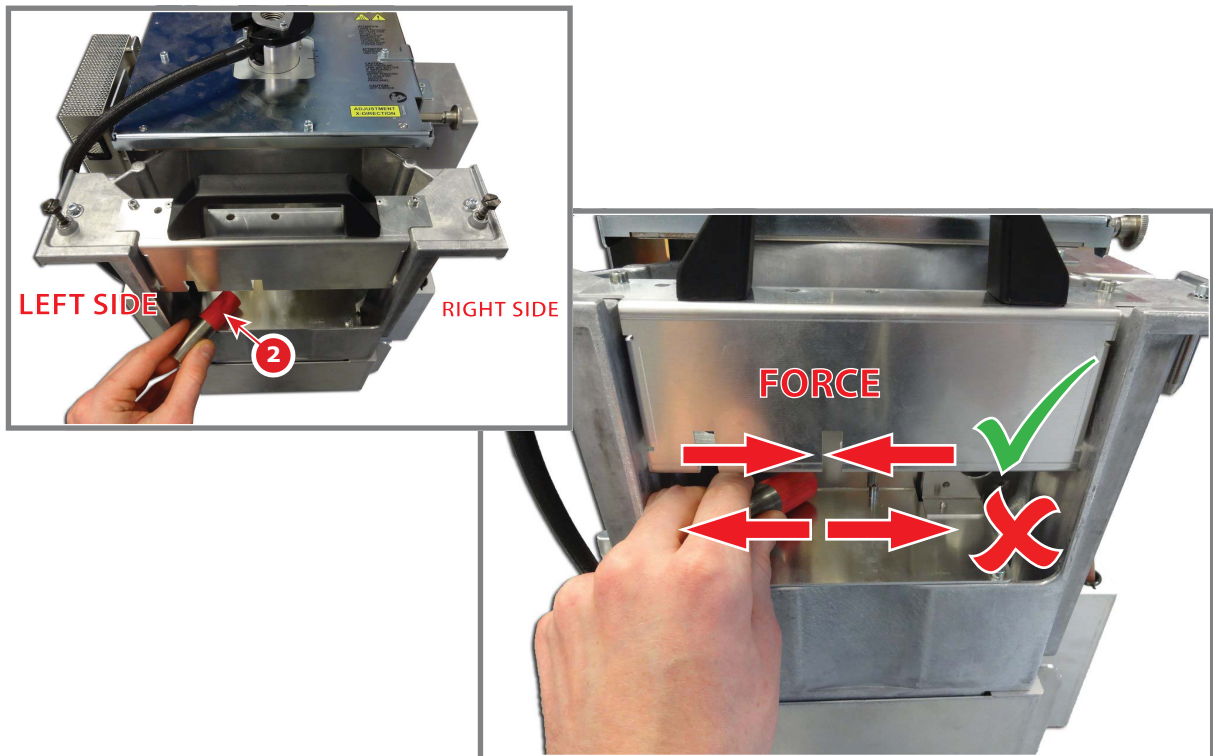


Image 1-3

**Note:** Only proceed with the next steps if the magnet is oriented incorrectly.

3. Remove the 4 screws (3) of the cover (with handle) and remove the cover. Use a 3 mm Allen wrench.

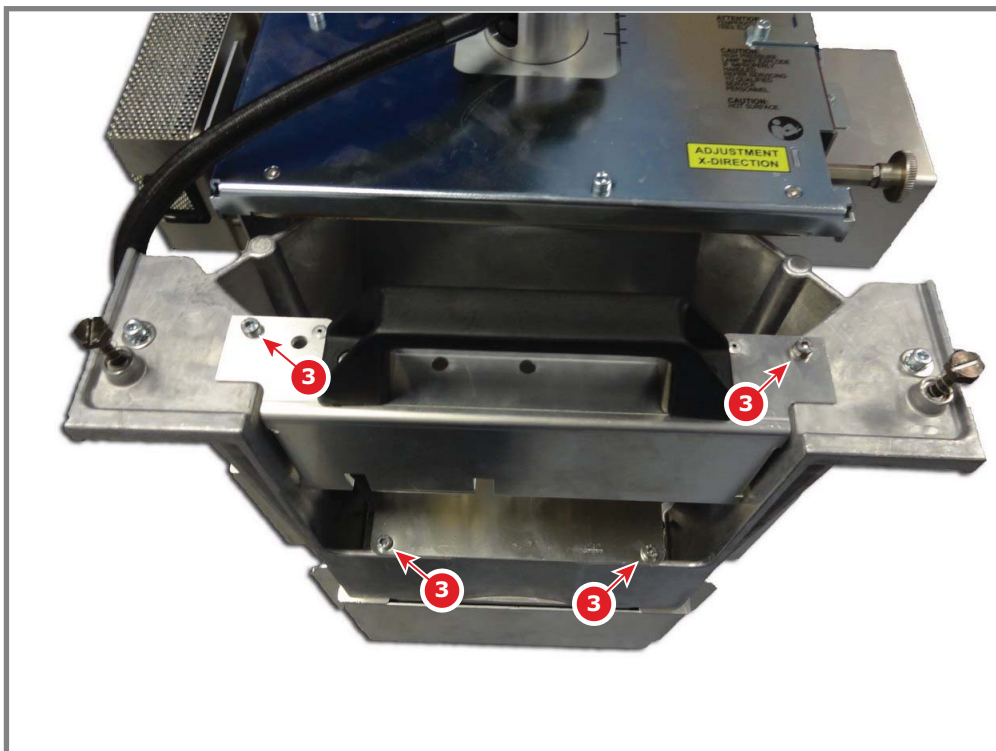


Image 1-4

The magnet is now visible.

4. Take out the magnet (4) and turn it 180°. Place the magnet back in the Lamp House.

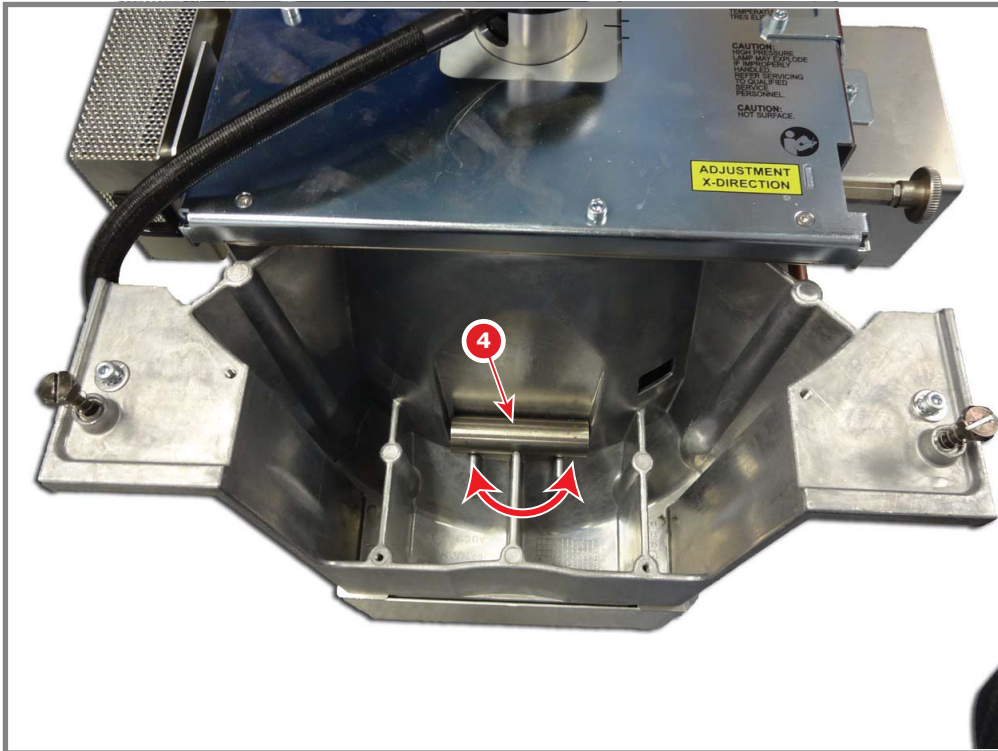


Image 1-5

5. Check the orientation of the magnet. Approach the **red side (5)** of the caliber magnet to the **left side (6)** of the Lamp House magnet. Both magnets should attract to each other.

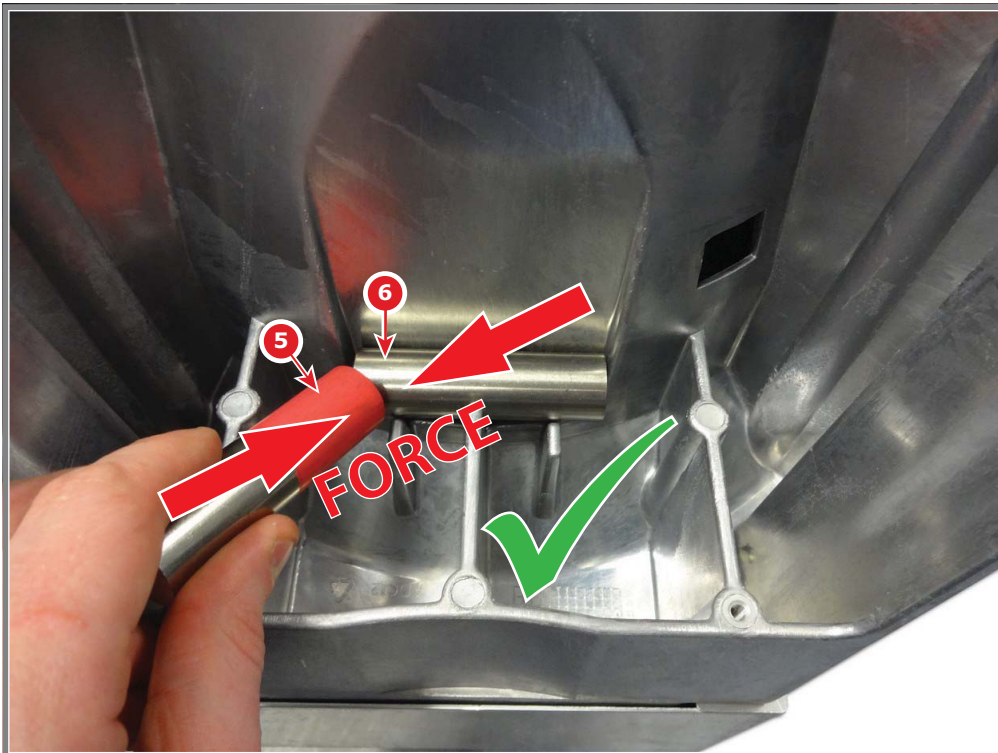


Image 1-6

6. After correcting the orientation of the magnet the lamp arc behavior can be different. A realignment of the lamp in its reflector is necessary. See service manual of your projector for the detailed procedure.



---

## 1.4 Validating the correct orientation of the magnet in the motorized XL Lamp House

---



To validate the correct orientation of the magnet, the XL Lamp House must be removed from the projector. This procedure assumes that the Lamp House is already removed from the projector.

---



Contact the Barco helpdesk to receive the caliber magnet.

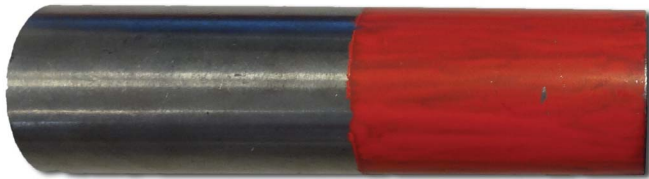


Image 1-7

---



The look of the Lamp House in the pictures can differ from the look of your own Lamp House. However, the procedure to perform is exactly the same.

---

### Necessary tools

- Caliber magnet (north side of the magnet is painted in red)
- 3 mm Allen wrench

### How to validate a motorized Lamp House?

1. Position the Lamp House on a flat and stable table, with the **UV filter side resting on the table.**



Image 1-8

2. Remove the 4 screws (2) of the cover (with handle). Use a 3 mm Allen wrench.



Image 1-9

3. The handle with cover (3) can not be removed completely. Instead, move up the handle with cover (3) a few centimeters, until the magnet becomes reachable (4).



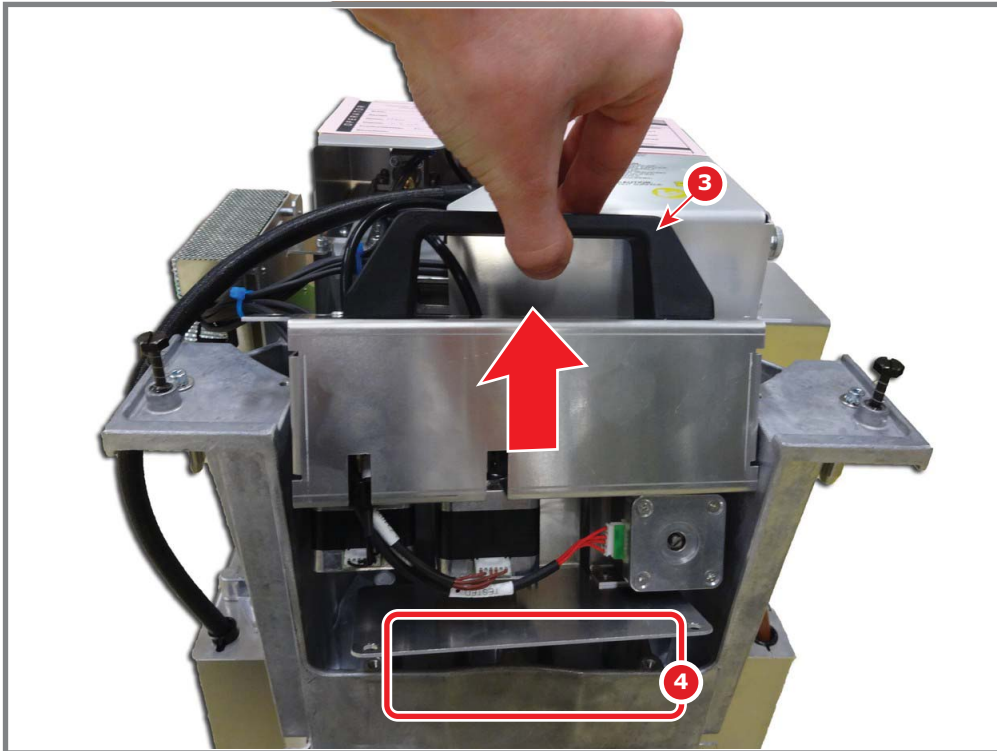


Image 1-10

4. Take out the magnet (5) from the Lamp House.

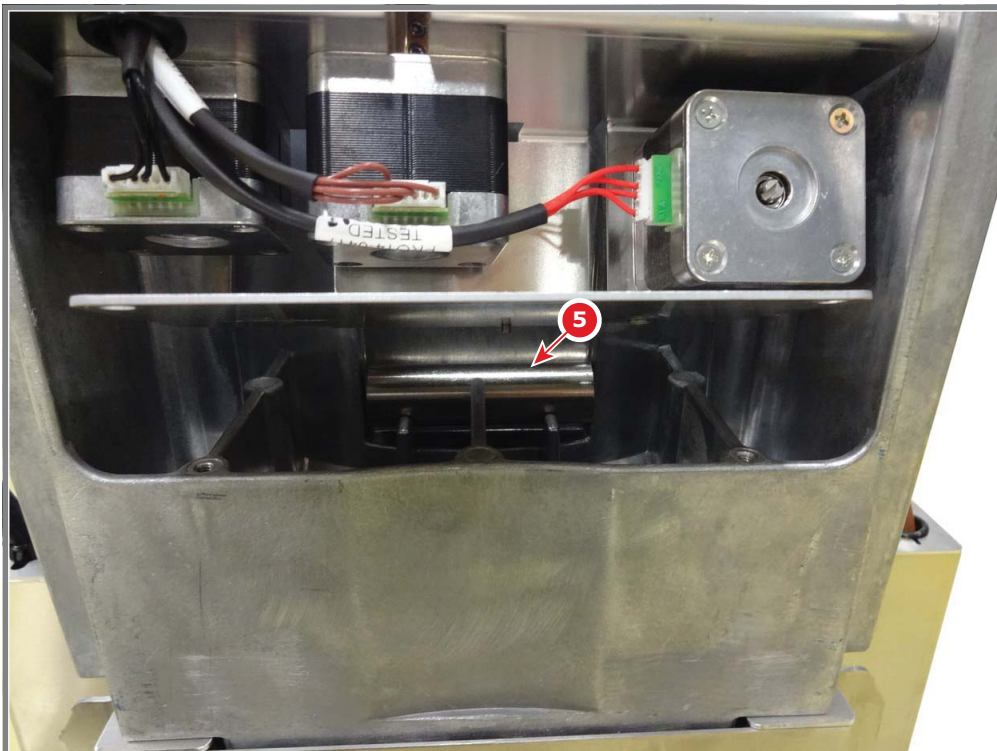


Image 1-11

5. Check the orientation of the magnet.  
Use the caliber magnet for that: approach the **red side (6)** of the caliber magnet to the **left side (7)** of the Lamp House magnet.

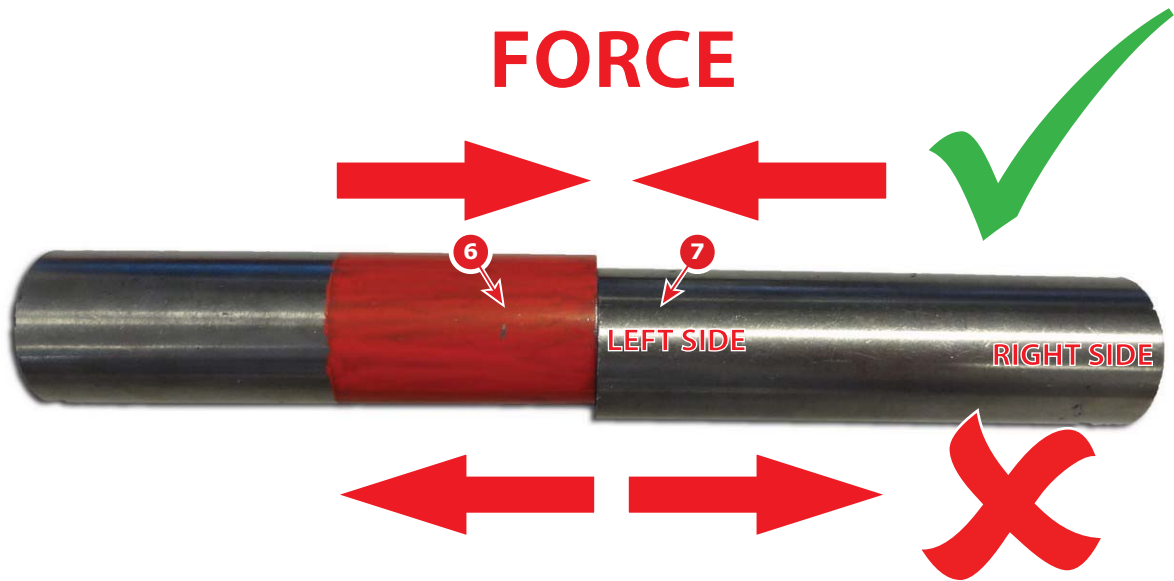


Image 1-12

Both magnets should attract to each other.

If this is not the case, switch the orientation of the magnet.

6. Place the magnet (8) back in the Lamp House.

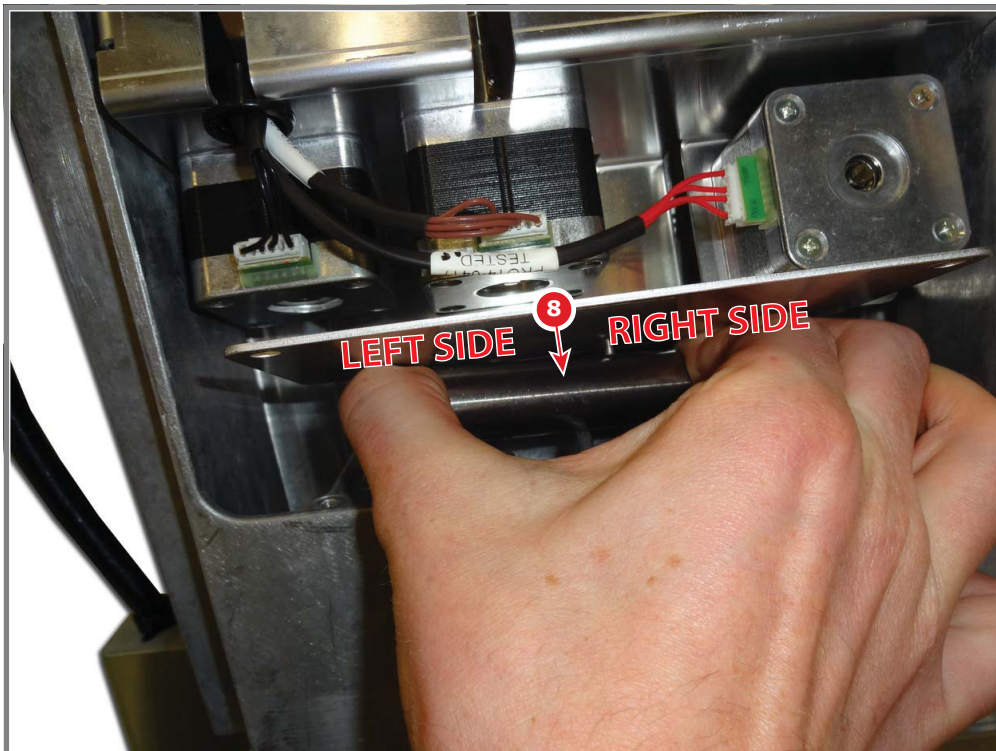


Image 1-13

7. After correcting the orientation of the magnet the lamp arc behavior can be different. A realignment of the lamp in its reflector is necessary. See service manual of your projector for the detailed procedure.